



**HEDGE CUTTER
MJ39-143 and MJ39-143-D**

**Operator's Manual
and Parts List**



WARNING

Read this instruction manual thoroughly before using your machine and follow all safety precautions.

www.major-equipment.com

Head Office

Major Equipment Intl. Ltd.
Ballyhaunis,
Co. Mayo,
Ireland.

Tel.: +353 (0) 9496 30572
Fax: +353 (0) 9496 30788
Email: info@major-equipment.com

UK Office

Major Equipment Ltd.
Major Industrial Estate,
Middleton Rd.,
Heysham,
Lancs.
LA3 3JJ

Tel.: +44 (0) 1524 850 501
Fax: +44 (0) 1524 850 502
Email: ukinfo@major-equipment.com

NETHERLANDS & GERMANY OFFICE

Major Equipment Intl. Ltd.
Postbus 29,
NL-7700 AA ,
Dedemsvaart,
Nederland.

Tel: +31 (0) 6389 19585
Email: euinfo@major-equipment.com

Web: www.major-equipment.com

@MAJOREQUIPMENT



Disclaimer

While every effort has been made in the production of this manual to ensure that the information contained herein is full and correct, Major assumes no responsibility for errors or omissions.

Major reserves the right to modify the machinery and the technical data contained within the manual without prior notice.

Further to this, Major assumes no liability for any damages which may result from the use of the information contained within this manual.

Contents

Introduction

Thank you	1
Safety Aspects	1
Intended use	1
Register Your Product and Warranty Online	1
Tractor Requirements	2

Safety

Hazards associated with operating Grass Cutting Machinery	2
Operating Safely	3
Workstation	4
Regulations for use of the transmission	4
Driving Safely on Public Roads	4
Inspections before Use	5
Starting Regulations	5

Product Identification

Machine Serial Numbers	6
Product Specifications	6
EEC certificate of conformity for machines	7
Machine Safety Labels	8
Key to Main Parts	9
Blade Rotation	10
Blade system	11
Drive-line gearbox	11

Operating the Machine

Attaching machine to the Digger/Arm	12
Transport Position	12
Operating the Machine/Mowing	13
Roller adjustment	13
Hydraulics setup (<u>030W0MD80E564XS0R and 030W0MD80E564XD0R motor</u>)	14
Hydraulics setup (<u>1MPNC125RE01R-012 motor</u>)	15

Maintenance

Machine storage	16
Transmission Bolts	17
Roller (<i>if applicable</i>)	17
Replacement of wear parts	17
Clearing out a blockage	17
Troubleshooting	18
Lubrication schedule	20

Spare parts - MJ39

MJ39-143-D (Digger model)	22
MJ39-143-D (Digger model) - Parts list	23
MJ39-143-D (Digger model) (continued)	24
MJ39-143-D (Digger model) - Parts list	25
MJ39-143 (Power Arm model)	26
MJ39-143 (Power Arm model) - Parts list	27
MJ39-143 (Power Arm model) (continued)	28
MJ39-143 (Power Arm model) - Parts list	29
755-DCBLDHXFS2-L Blade assembly	30
755-DCBLDHXFS2-R Blade assembly	31
MJ39 Roller	32
Roller End Assembly (RM-04RBE)	33
1MPNC125RE01R-012 hydraulic motor	34
030W0MD80E564XD0R hydraulic motor	35
030W0MD80E564XS0R hydraulic motor	35
MJ40T (347.801) (1.47)	36
MJ40T-S (347.801-S) (1.47 SHORT)	36

Introduction

Thank you

We appreciate having you as a customer and wish you many years of safe and satisfied use of your machine.

Safety Aspects

This manual is an important part of your machine and should remain with the machine when you buy it. Reading your operator's manual will help you and others avoid personal injury or damage to the machine. Information given in this manual will provide the operator with the safest and most effective use of the machine. Only competent and skilled persons who have fully read and understood this operator's manual are allowed to operate this machine.

Sections in your operator's manual are placed in a specific order to help you understand all the safety messages so you can operate this machine safely. You can also use this manual to answer any specific operating or servicing questions.

Your manual contains special messages to bring attention to potential safety concerns, machine damage as well as helpful operating and servicing information. Please read all the information carefully to avoid injury and machine damage. Should any questions arise regarding the information given in this booklet, please contact your local MAJOR dealer or MAJOR.

The operator is solely responsible for the safe use and maintenance of the machine. The machine must only be operated by a competent and skilled person. Setting up and adjustment must only be carried by the operator. Do not let a third party person to adjust or modify the machine in any way.

Intended use

This machine is a grass cutting machine and designed for cutting grass. Moreover, it must only be used with a suitable tractor (see "Product Specifications" section of this booklet) and driven by an adequate hydraulic pump/motor. All other use is strictly prohibited. Major will not be held responsible for any loss or damage caused due to a misuse of the machine.

Register Your Product and Warranty Online

To register your product through the Internet, simply go to the Support section on www.major-equipment.com. Completing the information, either online or with the product warranty card, will ensure the customer that their product receives all post sales service and important product information.

This machine is warranted for 12 months. No warranty is given where the machine is being used as a hire machine. Warranty is against faulty workmanship or parts.

Warranty covers parts only. All parts must be returned to the manufacturer. No warranty can be considered unless parts are returned. All replacement parts will be supplied on a chargeable basis until warranty has been accepted.

Tractor Requirements



Attaching the machine to the tractor will influence the stability and manoeuvrability of the tractor. Please consult your tractor manual for limitations on weight and towing ability of the tractor.

It is the operator's responsibility to ensure that the tractor is suitable for the machine. Always consult your tractor's manual for any further information required.

Recommended Horse Power requirements for the particular models are provided in the "Product Specification" section of this booklet. Using excessive power can affect the quality of cut and/or may damage the machine.

Tractors which are not suitable for the operation can sustain damage due to the weight and power requirements of the machine. Always observe the weight of machine provided in the "Product Specification" section of this booklet, compare this with the guidelines from the tractor manual and ensure that the tractor can lift the machine safely.

Depending on the model and specification of the machine it can be attached to a tractor/power unit by one of the following methods: 2/3 point linkage connection, positioned on an extendable arm or attached to a digger. The position of the 3 point linkage machine can be adjusted by manual or hydraulic top link.

Winged models require at least one hydraulic spool with 1/2" female quick release connection for a single acting ram/rams.

Road light kit requires a 12V 7 pin socket.

Safety

The operator's manual also explains any potential safety hazards whenever necessary in special safety messages that are identified with the word, CAUTION, and the safety-alert symbol



Hazards associated with operating Grass Cutting Machinery

Shear Hazard

Shear hazards are created when the edges of two objects move toward or next to each other closely enough to cut relatively soft material. This can include the parts of the machine under hydraulic control when operating from transport to mowing position. Note, the wing units are designed to float independently of the centre deck & are free to move within operating limits.

Crush Hazard

Bystanders can be injured when machine is lowered into mowing position. Winged machines have crush points around the hinge areas & between the wing & main body. Always use transport locking bars when not in use (winged models only).

Rotating Blade Hazard

All persons are at risk if they place their hands or feet under the machine when it is raised from the ground when the blades are in motion.

Pinch Hazard

Pinch points are created when two objects move together, with at least one of them moving in a circle. This hazard is common in power transmission devices such as Belt Drives, Gear Drives & Rollers. Ensure all guarding is present.

Wrap Hazard

Any exposed, rotating machine component is a potential wrap point. Injuries usually occur when loose clothing or long hair catch on and wrap around rotating parts such as drive shafts on the machine. Ensure all guarding is present.

Free-wheeling parts Hazard

The heavier a revolving part is, the longer it will continue to rotate after power is shut off. This characteristic is called 'free-wheeling.' Blades, and various other components, drive shafts etc., will continue to move after power is shut off - often for several minutes. Injuries occur when:

- Operators shut off equipment, and attempt to clean or adjust a machine before components have completely stopped moving.
- Operator awareness is the key to safety around freewheeling parts. Never raise the machine while the blades are still rotating.

Thrown objects Hazard

Machines throw material as a natural part of doing their job. Foreign objects, such as stones, sticks and other debris, may be taken into this equipment and expelled at tremendous speed. These objects are contained by the sides of the machine and by the rear/front rollers / guards / chain guards / rubber skirts depending on model of your machine.

Ensure bystanders are clear from the machine & cannot be hit with debris expelled from the machine. Bystanders or animals in the path of thrown objects could be seriously injured. Never operate machine with decks raised from the ground as this makes the front/rear protection redundant.

Hydraulic Hazard (if applicable)

Hydraulic systems store considerable energy. Careless servicing, adjustment, or replacement of parts can result in serious injury. High pressure blasts of hydraulic oil can injure eyes or other body parts. The following precautions are crucial:

- Make certain the hydraulic pump is turned off.
- Lower attached equipment to the ground.
- Confirm that load pressure is off the system.

A pinhole leak in an hydraulic hose is a serious hazard. A leak may not be visible, and the only sign may be a few drops of fluid. Never inspect hydraulic hoses with your hands, because a fine jet of hydraulic fluid can pierce the skin.

Slips, Trips and Falls Hazard

Slips and falls often result from:

1. Slippery footing on the ground
2. Cluttered steps and work platforms.

The potential for slips and falls can be greatly reduced by using good judgement and practicing good housekeeping on and around equipment.

Noise Hazard

Please note that the machine is normally used outdoors and that the position of the operator is seated in the driving seat of the tractor. It is advisable to consult the prescriptions listed in tractor operator and maintenance manuals.

The acoustic pressure at a distance of 2.6m from the centre of the machine and at a height of 2.0m, with the implement operating in a no load condition can reach 90 dBA. In a loaded condition the value can reach 97dBA. Higher oil flow rate will result in higher noise levels. Always wear hearing protection. Similar noise levels are produced while operating hydraulic driven machines.

Operating Safely

Hydraulic driven machines must be driven by oil type specified in the Product Specifications part of this booklet. Ensure the oil flow rate is within the allowed limits. Low/High oil flow rate can cause damage to the machine and/or the operator.



Users should become thoroughly familiar with the contents of this manual before using, servicing and mounting the implement to the tractor and all other pertinent operations. Never wear jewellery, loose clothing such as ties, scarves, belts, unbuttoned jackets or dungarees with open zips which could become caught up in moving parts.



Always wear approved garments complying with accident prevention provisions such as non-slip shoes, ear muffs, goggles and gauntlets. Wear a jacket with reflecting stickers if the implement is used near public highways.



Consult your retailer, the Labour Health Service or your nearest equivalent authority for the information about the current safety provisions and specific regulations with in order to ensure personal safety.



ALWAYS SWITCH OFF THE TRACTOR ENGINE AND ENGAGE THE PARKING BRAKE BEFORE MAKING ADJUSTMENT TO THE MACHINE.



NEVER PLACE LIMBS UNDER THE MACHINE WHILE ROTOR(S) ARE TURNING. ROTORS CAN REMAIN TURNING FOR UP TO 1 MINUTE AFTER TURNING OFF THE HYDRAULIC MOTOR .

Workstation

The operator must remain seated while working the machine. If the machine is a winged unit and the wings need to be raised/lowered the operator must not leave the tractor. Never leave the workstation (tractor cab, digger cab) with the hydraulic motor running and blades rotating. Always apply the handbrake and turn off the hydraulic motor before leaving the cab.



NEVER OPERATE THE HYDRAULICS WITH THE TRACTOR SWITCHED OFF

Regulations for use of the transmission

The transmission between the gearboxes is protected by a bolt down cover. All guarding should be kept efficient and in good condition. If the condition is poor, the guarding should be replaced before the implement is used. It is the operator's responsibility to check the condition of the covers before each use.



UNLESS IT IS CORRECTLY PROTECTED THE TRANSMISSION COULD CAUSE DEATH SINCE IT CAN CATCH ON PARTS OF THE BODY OR CLOTHING

Driving Safely on Public Roads

Check the local Highway Code regulations before driving the tractor on public highways with an implement attached. Check the reflectors, hazard flashers and/or projecting load indicators are installed when required and efficient. These indicators must be installed correctly and easily seen by the drivers of other vehicles.

Bystanders must not be allowed to lean against or climb onto the machine during transport or while working. Do not allow bystanders to ride on the machine.



Maximum transport speed of the implement is limited to 25-30km/h depending on the model of the machine (observe safety labels on the machine).

General safety instructions

Precautions to be taken while working with the machine:

1. Do not operate the machine when you are tired or under the influence of alcohol or any other intoxicant;
2. Before starting mowing, make sure that the area is clear of people or animals.
3. It is mandatory to read all the safety requirements and the operator's manual of the machine.
4. If you are not sure how to use the machine, please contact the manufacturer or the dealer.

Inspections before Use



Always disconnect hydraulic motor hoses, switch off tractor engine and engage the parking brake before making adjustments to the machine.

1. With the whole machine as level as possible, check the oil level in all gearboxes. Top up if required through the oil filler plug. The correct level is at the oil level plug.
2. Grease all lubrication points as outlined in the Maintenance section of this booklet.
3. Check parts for wear.
4. Check the blade mounting bolts are tight.
5. Ensure the gearbox shaft nuts are tight and retained in place by split pin.
6. Check tightness of all nuts, bolts and pins.
7. Ensure safety guards and flaps are in place at all times where fitted. If these become worn or missing, replace them immediately with new ones.
8. Due to the corrosive nature of grass when cut, wash down the machine when finished mowing, especially when the machine is being stored for a long period of time.

Starting Regulations



Always check that any imminently dangerous conditions have been eliminated before using the machine. Ensure all guarding is present & the operator is fully aware of the operations of the machine.



Always make sure that the hydraulic motor hoses are connected correctly and that the oil flow rate is met.

Product Identification

Machine Serial Numbers

If you need to contact MAJOR or your MAJOR dealer for information on servicing or spare parts, always provide the product model and serial numbers. Model and Serial number can be found on the Serial Plate located on the machine.

We suggest that you record your machine details below:

Model No: _____
 Serial No: _____
 Date of Purchase: _____
 Dealer Name: _____
 Dealer Telephone: _____

MAJOR EQUIPMENT INTL. LTD. BALLYHAUNIS, CO. MAYO, IRELAND TEL: +353 (0) 9496 30572 EMAIL: info@major-equipment.com	
MAJOR EQUIPMENT LTD (UK) MAJOR IND. ESTATE, HEYSHAM, LANCS, LA3 3JJ, UK TEL: +44 (0) 1524 850501 EMAIL: ukinfo@major-equipment.com	Serial Number/Seriennummer _____
MAJOR EQUIPMENT INTL LTD POSTBUS 29, NL-7700 AA DEDEMSVAART, NEDERLAND TEL: + 31 (0) 6389 19585 EMAIL: euinfo@major-equipment.com	Model/Modell _____
	Year of manufacture/Baujahr _____

Product Specifications

Model	MJ39-143/-D
Transport Width	N/A
Working Width	1.43m (4' 8.5")
Hydraulic Motor	78cc
MAX Pressure	2500PSI 172BAR 17MPA
Flow Rate	80-110 litres/minute
Cutting Height	10-85mm
Number of Rotors	2
Number of Blades	4/8
Weight	376kg

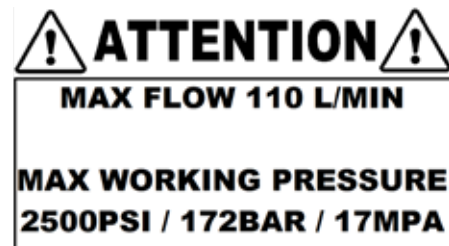
This machine is driven by a hydraulic motor. Observe and follow the instructions on the labels.
 Oil type - ISO 100.



Oil Flow Rate must be 80-110 litres per minute.



Maximum working pressure must not exceed 2500PSI/172BAR/17MPA.



EEC certificate of conformity for machines

(conforming to Directive 2006/42/EC)

Name of Manufacturer: Major Equipment Ltd
 Address: Coolnaha, Ballyhaunis, Co. Mayo, Rep of Ireland

Tel. +353949630572
 Fax +353949630788

declares in sole responsibility that the product:

Machine description and function: Rotary mower with vertical axes cutting heads which cuts grass so it can be subsequently picked up.


Model: Hedge Cutter (MJ39)

Type: _____ **Serial number:** _____

Technical file compiled by: Alex Kolchanov (c/o Major Equipment Ltd)

- **THE SUPPLY OF MACHINERY (SAFETY) REGULATIONS 2008.**
- **S.I. No. 299 of 2007**, Safety, Health and Welfare at Work (General Application) Regulations 2007 (Ireland).
- **Health & Safety at Work, etc. Act 1974 (c.37) (UK).**
- **EN ISO 14121-1: 2007** 'Safety of machinery. Principles for risk assessment'.
- **EN 745 - Agricultural Machinery - Rotary Mowers and Flail Mowers - Safety.**
- **EN ISO 13857 - Safety of machinery: Safety distances to prevent hazard zones being reached by upper and lower limbs.**

I hereby certify on behalf of Major Equipment Int. Ltd., that this machine when properly installed and operated correctly, complies with all the essential Health & Safety requirements of all legislation referred to above.

Signed:  Place: Coolnaha, Ballyhaunis, Co. Mayo, Rep of Ireland
 Date: 02/02/2022
 Name: John Murphy
 Position: Managing Director

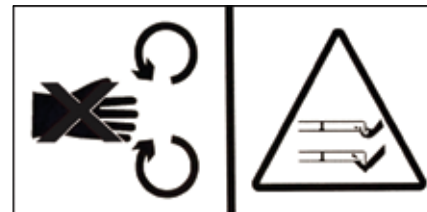
Machine Safety Labels

The machine safety labels shown in this section are placed in important areas on your machine to draw attention to potential safety hazards.

On your machine safety labels, the words DANGER, WARNING, and CAUTION are used with this safety alert symbol. DANGER identifies the most serious hazards.



To avoid injury, read the manual



Rotating blade hazard



High oil pressure hazard



Moving parts



Grease points

CHECK TIGHTNESS OF TRANSMISSION BOLTS DAILY

Check tightness of the transmission bolts

030W0MD80E564XS0R and 030W0MD80E564XD0R motors

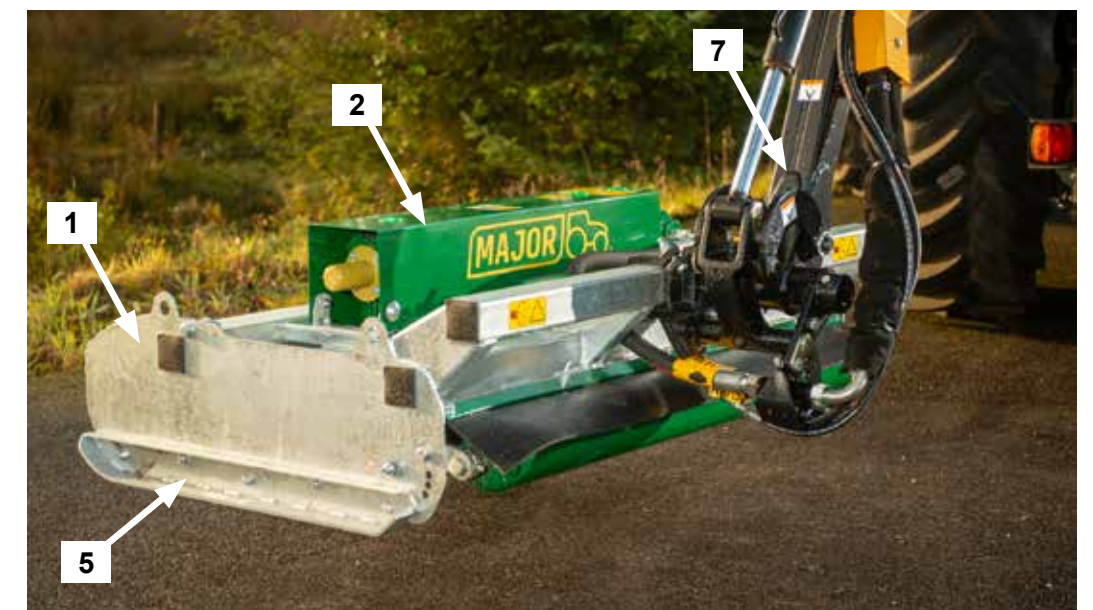
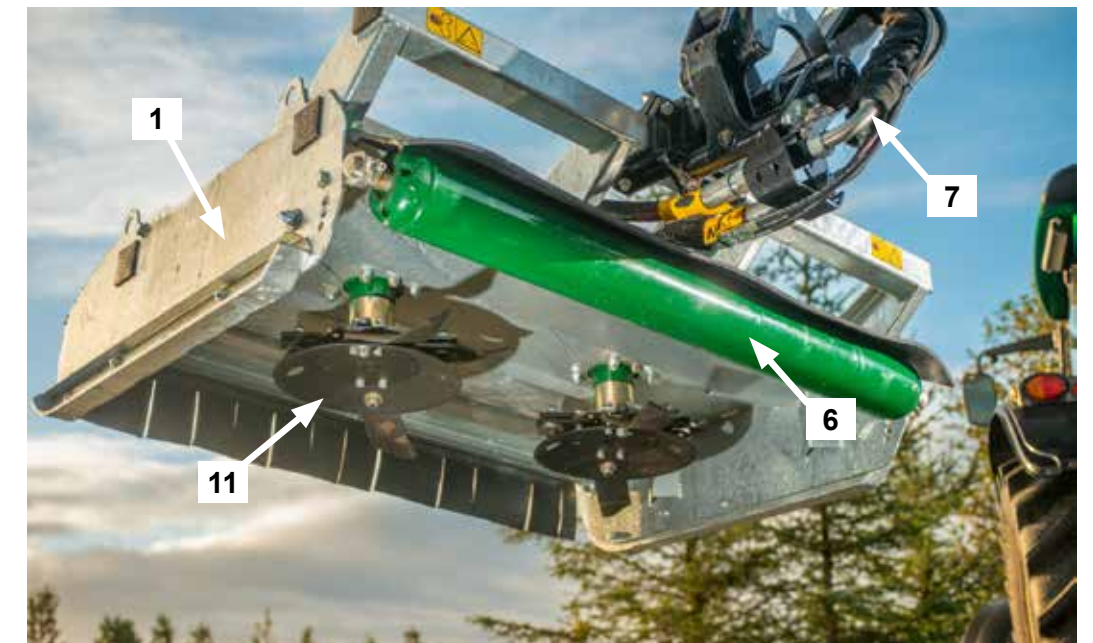
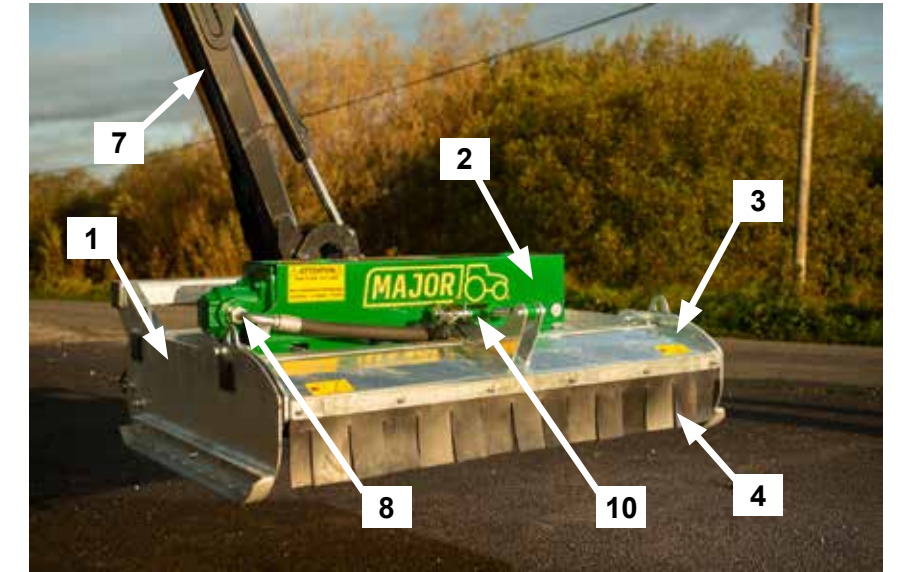
! WARNING ! DO NOT REVERSE MOTOR! THIS WILL RESULT IN MOTOR FAILURE	! WARNING ! DO NOT REVERSE MOTOR! THIS WILL RESULT IN MOTOR FAILURE	! ATTENTION ! MAX FLOW 110 L/MIN
FLOW →	← FLOW	MAX WORKING PRESSURE 2500PSI / 172BAR / 17MPA

1MPNC125RE01R-012 motor

! FLOW →	! FLOW ←	! ATTENTION !
		MAX FLOW 100 L/MIN
		MAX WORKING PRESSURE 3250PSI / 225BAR / 22MPA

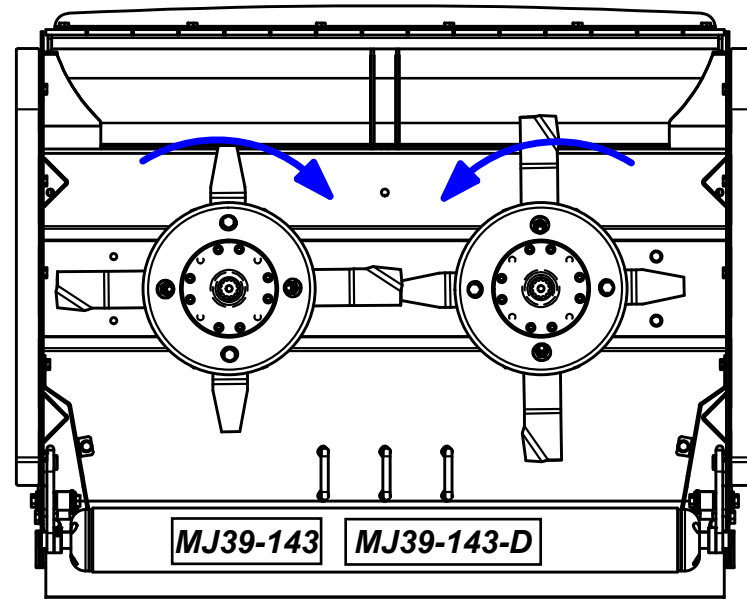
Key to Main Parts

1	Body
2	Drivetrain cover
3	Guard
4	Rubber guard
5	Skid
6	Rear roller
7	Carrying arm
8	Hydraulic motor
10	Hydraulic ram
11	Blade



Blade Rotation

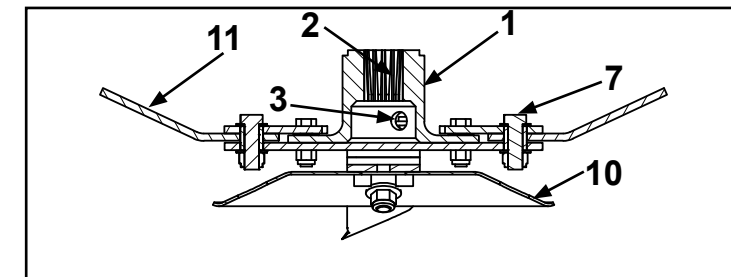
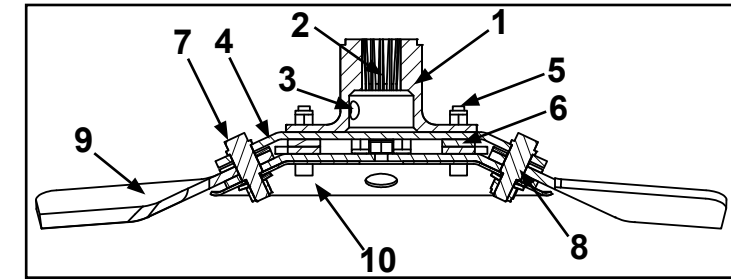
Blade rotation viewed from underside



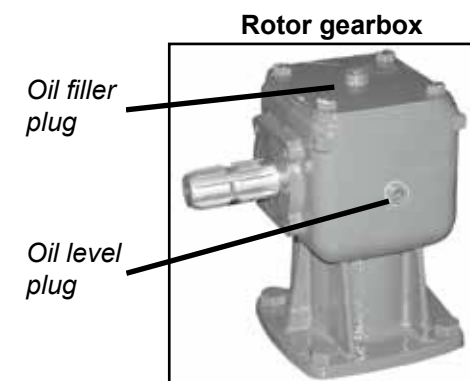
Blade system

Full breakdown of the blade assembly is provided in the Spare Parts section of this booklet

1 Blade mount	7 Blade pivot bolt
2 Gearbox output shaft	8 Blade pivot bush
3 Gearbox split pin	9 Blade
4 Blade back	10 Undersole disk
5 Blade back bolt	11 Overlap Blade
6 Blade back spacer	



Drive-line gearbox



Operating the Machine

Attaching machine to the Digger/Arm



ALWAYS OPERATE ON LEVEL GROUND WHEN HITCHING/UNHITCHING THE IMPLEMENT. THIS WILL PREVENT DANGEROUS MOVEMENT. NEVER ALLOW ANYONE TO STAND BETWEEN THE TRACTOR/DIGGER AND THE MACHINE.

1. Connect Power Arm/Digger to the appropriate hitching point;
2. Ensure to connect FLOW & RETURN hoses correctly to either Digger or Power Arm unit.

Transport Position



Before raising the machine wait until the transmission and the blades are completely still.

1. Check the machine is connected to the power unit as described;
2. Ensure moving parts become still then transform the machine into transport position by hydraulic control.

Operating the Machine/Mowing



Never place limbs under the machine while rotors are turning. Always operate on level ground when connecting/disconnecting the implement. This will prevent dangerous movement.

1. Move the machine into mowing position;
2. Use spool to raise/lower front hood according to material being cut.

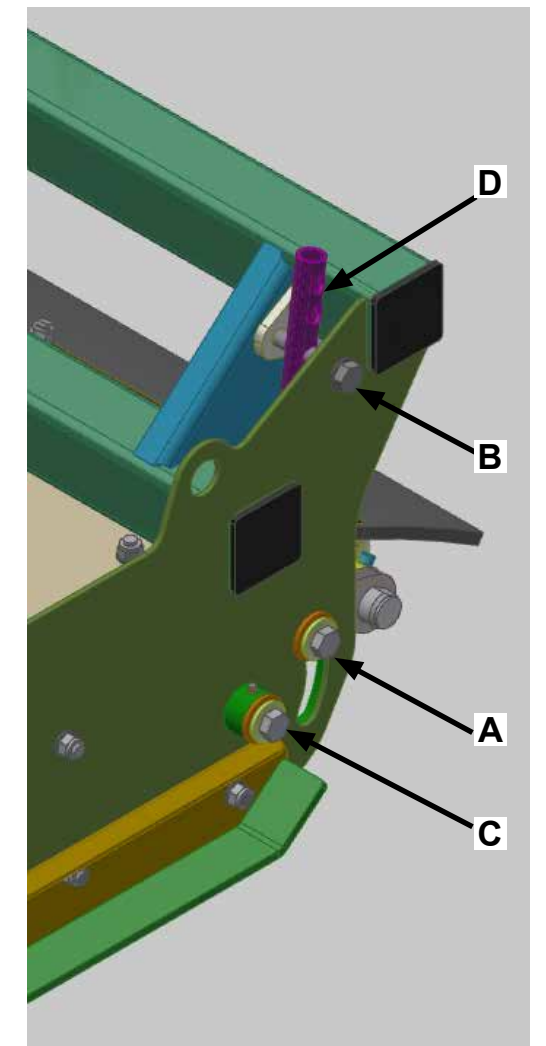
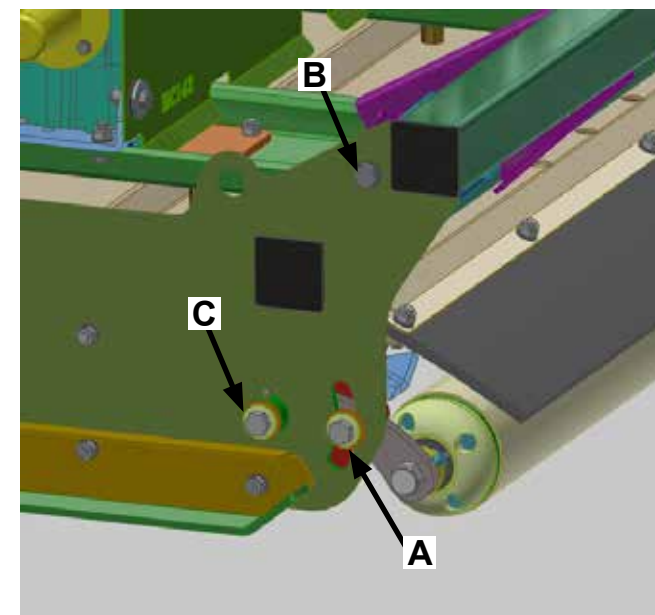
Roller adjustment

In order to achieve desired cutting height, the roller should be adjusted.


Roller

To adjust the height of the roller follow this procedure at both sides of the roller:

1. Loosen Bolt **A** and **C** (Note: You do not have to remove the bolt, half of the turn will suffice to allow movement);
2. Remove Bolt **B** and locate in the desired slot **D**. (Note: Pay attention when removing Bolt **B** as the roller may swing down, adequate support must be provided under the roller);
3. Match the height of the roller on both sides of the machine by checking the position of Bolt **B** in slot **D**;
4. When adjustment is complete, re-tighten Bolts **A**, **B** and **C**.



Hydraulics setup (030W0MD80E564XS0R and 030W0MD80E564XD0R motor)


 Make sure that the return hose is plugged into an **unrestricted free flow return**. Pay attention to the **FLOW** direction arrow on your machine as **Left hand mounted and Right hand mounted machines have a different flow direction!** Replace worn or damaged labels immediately.


 **Connecting the wrong hoses will result in motor/seal damage!**
(030W0MD80E564XS0R and 030W0MD80E564XD0R motor)



- | | |
|---|-----------------------|
| 1 | Flow hose |
| 2 | Free flow return hose |

Hydraulics setup (1MPNC125RE01R-012 motor)

 Make sure that the return hose is plugged into an **unrestricted free flow return**. Pay attention to the **FLOW** direction arrow on your machine as **Left hand mounted and Right hand mounted machines have a different flow direction!** Replace worn or damaged labels immediately.

 **Connecting the wrong hoses will result in blades rotating the wrong way.**

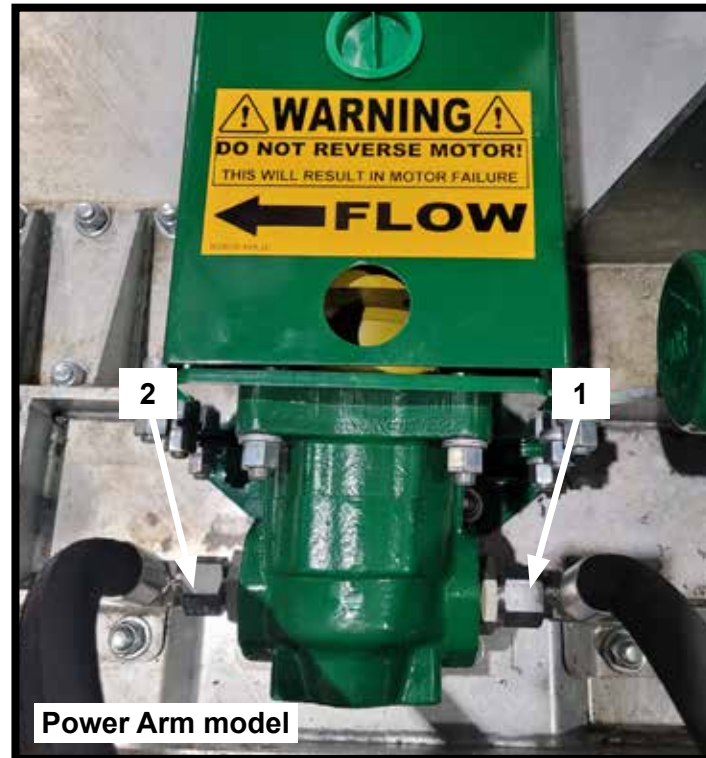


- | | |
|---|-----------------------|
| 1 | Flow hose |
| 2 | Free flow return hose |
| 3 | Case drain hose |

OBSERVE THE LABELS ON THE MACHINE AND
CONNECT THE HOSES ACCORDINGLY

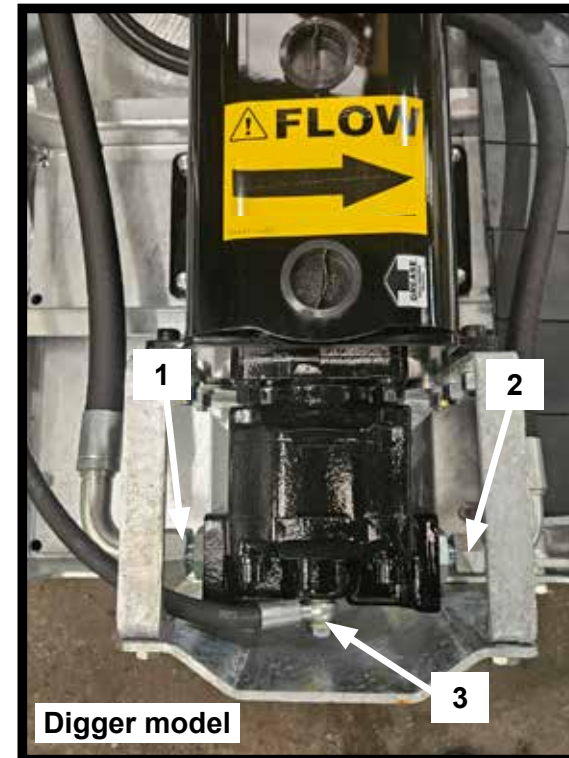


Digger model
030W0MD80E564XS0R
ANTI-CLOCKWISE

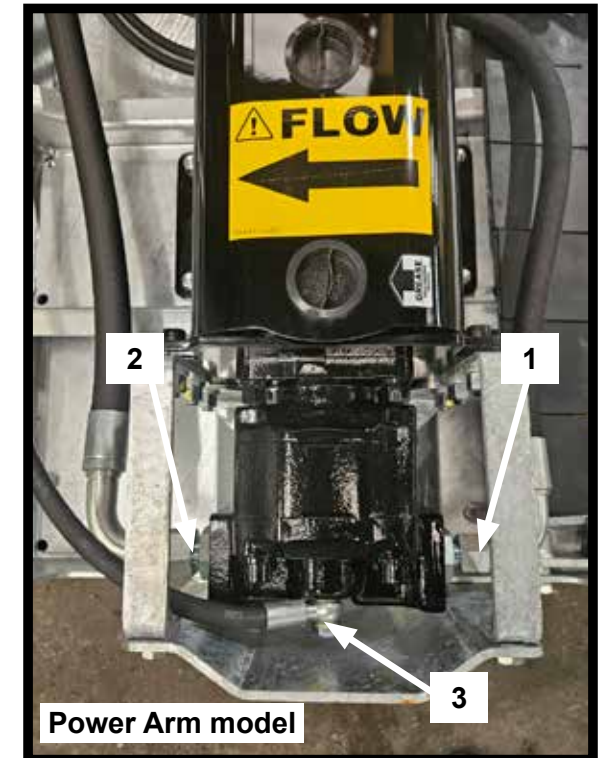


Power Arm model
030W0MD80E564XD0R
CLOCKWISE

OBSERVE THE LABELS ON THE MACHINE AND
CONNECT THE HOSES ACCORDINGLY



Digger model



Power Arm model

Maintenance

141022

In order to keep your Major machine in a good working order it is necessary to conduct maintenance on a regular basis. Only competent and skilled persons who have fully read and understood this operator's manual are allowed to carry out maintenance on this machine. It is important to replace worn parts immediately with genuine Major spare parts. These parts are manufactured to the same specification as the machine and will provide the best result. Genuine Major spares can be obtained from MAJOR or your local MAJOR dealer.

All maintenance checks and operations must be carried on a firm level ground. The machine must always be disconnected from the tractor before any cleaning, lubricating and servicing operations can be carried out. If works must be carried out under the machine, ensure that the props, jacks, stands, hoists or cranes are capable of supporting the machine securely.

If emergency operations are required whilst the machine is connected to the tractor, switch off the engine of the tractor, remove the key from the ignition, engage the parking brake. An example of such emergency situation is the complete blockage of the machine in the field. To clear out the blockage follow the safety steps described above and clear out the blockage. Ensure there are no ropes, twines or wires wrapped around the rotors.

Machine storage

To prolong the life of your machine it is recommended to store it in a dry environment. Prior to parking the machine for storage, wash the machine thoroughly, especially underneath, and ensure that there is no grass or debris left on the machine. Lubricate all pivot points with EP2 type grease. Check for oil leaks and fix these if required. Any parts of the machine with damaged paint/galvanised surface must be painted.

Transmission Bolts

All nuts and bolts in the transmission including Rubber couplings, Star Drives, PTO Shafts and Gearboxes should be checked for tightness after mowing at the following intervals:

1st Hour

Every 10 Hours thereafter

Roller (if applicable)

Check the condition of the rollerend (stub axle) at the end of every season. Roller shaft (stub) must be able to rotate freely and without excessive play. If necessary, remove the roller assembly and adjust the tightness of the bearings.

Replacement of wear parts

Blades, blade backs, blade bushing, blade bolts and nuts must be checked on a regular basis for wear and deflection. MAJOR recommends to visually check the blade assemblies every 40 hours of operation. This interval may change depending on the operational conditions.

Replace any damaged or worn parts immediately, failure to do so can result in blade breakages and can cause damage to the equipment or injuries to the operator and others nearby.

Blunt blades must be sharpened or replaced, failure to do so will result in a poor quality cut and excessive use of power from your tractor.



If the machine is equipped with wheels, wheel nuts must be checked daily. Air pressure within pneumatic tyres must be maintained at 2 Bar. Solid wheels must be checked for wear and damage and if necessary replaced immediately.



ENSURE BLADE ROTATION AND TIMING IS CORRECT AFTER SERVICING TRANSMISSION.



Pay attention when servicing or detaching components from the machine. Subassemblies and parts e.g. blade assemblies, gearboxes, rollers, guards, skids, wheels etc. can weigh up to 100 kilograms individually and must be supported adequately before fully detaching from the machine.

Clearing out a blockage



Always wear appropriate PPE when clearing out blockages.

If blockage of blades occurs proceed as follows:

1. Set the machine into transport position (including the top links);
2. Park the tractor on level ground, switch off the engine and remove the key from the ignition;
3. Disconnect the hydraulic motor hoses;
4. Using a pressure washer clear out the excess material built up around the blades. If the pressure washer is not available use your hand to remove the grass from around the blades, bearing in mind that there might be wires wrapped up around the rotors.

Troubleshooting

Fault	Cause	Remedy
Machine is getting blocked	Material too high or too much material	Reduce the ground speed but maintain required rpm from the PTO input Reduce the ground speed but maintain required oil flow rate (hydraulic driven machines)
	Grass is too wet	Stop and wait until grass is dried
	Worn or dull blades	Sharpen or replace blades
Leaves a streak of uncut or partially cut grass	Blades dull or bent	Sharpen or replace blades
	Carrier RPM too low	Use correct PTO speed
	Oil flow rate is too low (hydraulic driven machines)	Increase the oil flow rate but do not exceed the maximum rate permitted
	Field conditions are so wet that the tractor tyre is pushing grass into mud	Too wet to mow. Stop operation and wait until grass is drier
	Ground speed too fast	Reduce ground speed by shifting to a lower gear
	Possible build-up materials under mower	Clean mower
	Blades mounted incorrectly (cutting edge against direction rotation)	Change blades so that cutting edge is facing correct rotation.
Material discharges from mower unevenly; bunches of material along with swath	Material too high and/or too much material	Reduce ground speed but maintain the recommended RPM at tractor PTO or make two passes over material. Raise mower for the first pass and lower to desired height for the second and cut a 90 degree angle to first pass
		Reduce ground speed but maintain the recommended oil flow rate or make two passes over material. Raise mower for the first pass and lower to desired height for the second and cut a 90 degree angle to first pass (for hydraulic driven machines)
Gearbox overheating	Low on lubricant	Fill to proper level
	Improper type lubricant	Replace with proper lubricant
	Excessive grass / debris build-up around gearbox	Remove grass, etc from machine
Blade/bullets is scalping ground	Mower too low	Raise mower-reset wheels
	Field is ridged	Cut field at a different angle
	Field is too wet	Stop and wait until it is dried
Mower will not cut.	Shear bolt sheared	Install new shear bolt
Blades/bullets wear too fast	Cutting in sandy conditions	Increase cutting height
	Cutting in rocky conditions	Increase cutting height
	Blades hitting ground	Increase cutting height
Mower seems to require excessive power	Advancing into grass too rapidly	Reduce forward travel speed
	Hitting ground	Raise mower and reset wheels
	Worn or dull blades	Sharpen or replace blades
	Tractor not large enough	Use larger horsepower tractor
Excessive vibration	Check gearbox bolts	Tighten if loose
	Check for loose nuts on blades	Tighten if loose
	Blade broken	Replace blades, in set
	New blade or bolts matched with worn blade or bolts	Replace blades or bolts in sets
	Drivelines not phased correctly. Implement and tractor yokes must be in line	Phase the driveline. Replace if necessary

Noisy machine	Worn bearing	Replace bearings
	Low oil in gearbox	Check level and add oil
	Loose Parts	Check all bolts are fully tightened
	Wrong PTO rpm rate	Check PTO rate & adjust as necessary
	Rotors bent / broken	Replace bent or missing blades
	Bent PTO shaft	Check PTO shafts are aligned correctly
Check output shaft on gearboxes are not bent		
Check driveline between gearboxes is aligned.		
Gearbox leaking	Damaged oil seal	Replace seal
	Bent shaft	Replace oil seal and shaft
	Shaft rough in oil seal area	Replace or repair shaft
	Oil seal installed incorrectly	Replace seal
	Oil seal not sealing in the housing	Replace seal or use a sealant on outside diameter of seal
	Oil level too high	Drain oil to proper level
	Hole in gearbox	Replace the gearbox
	Gasket damaged	Replace gasket
	Bolts loose	Tighten bolts

Lubrication schedule

Use EP2 type grease or equivalent.

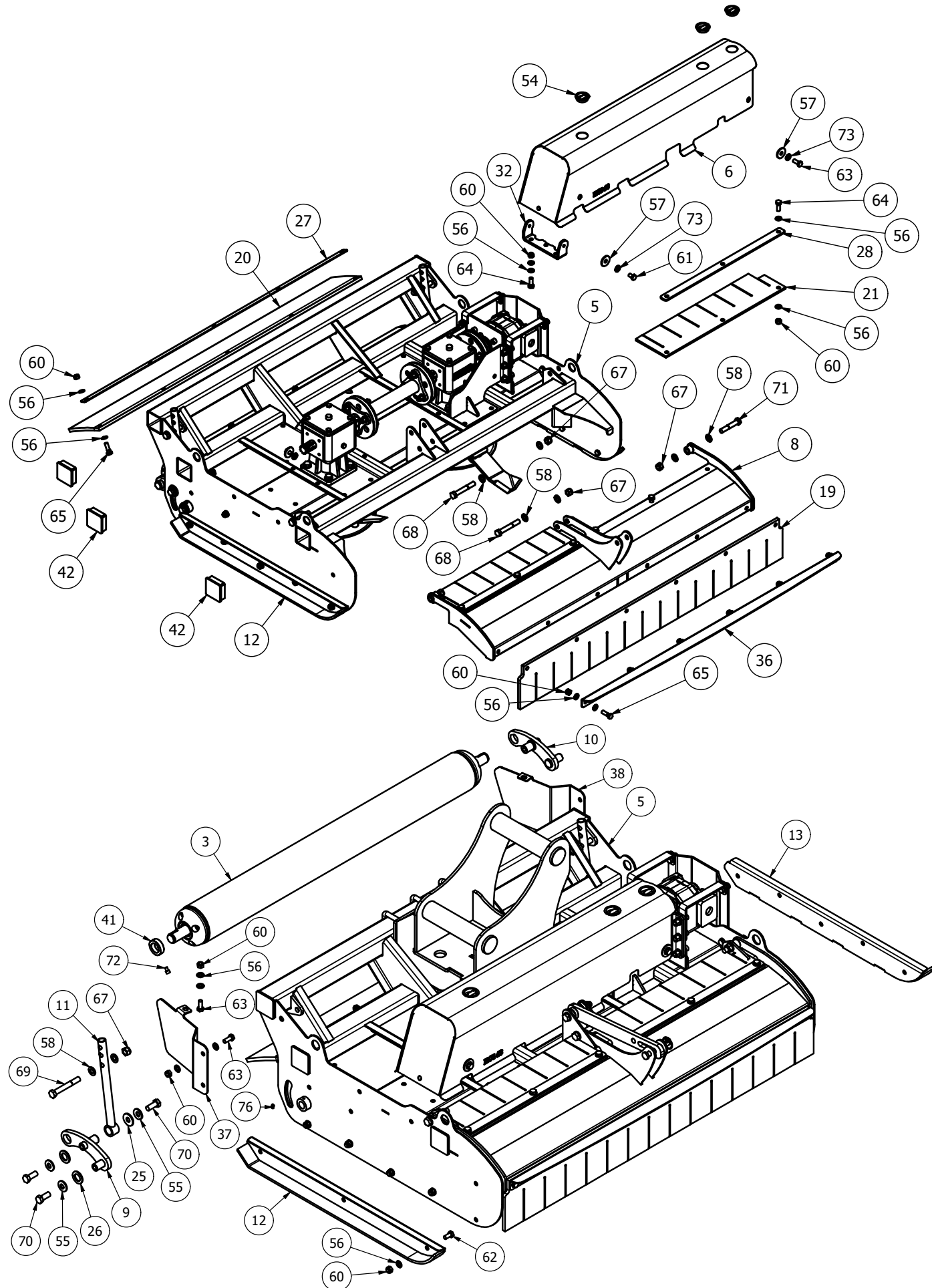
Use gear oil which conforms to 80W/90 standards.

Use hydraulic motor oil which conforms to ISO100 standards

	Grease points	Initially	25 hours	40 hours	80 hours	400 hours
Roller	2	●		●		
Check oil levels in the gearboxes					●	
Replace oil in gearboxes						●

Spare parts - MJ39

MJ39-143-D (Digger model)

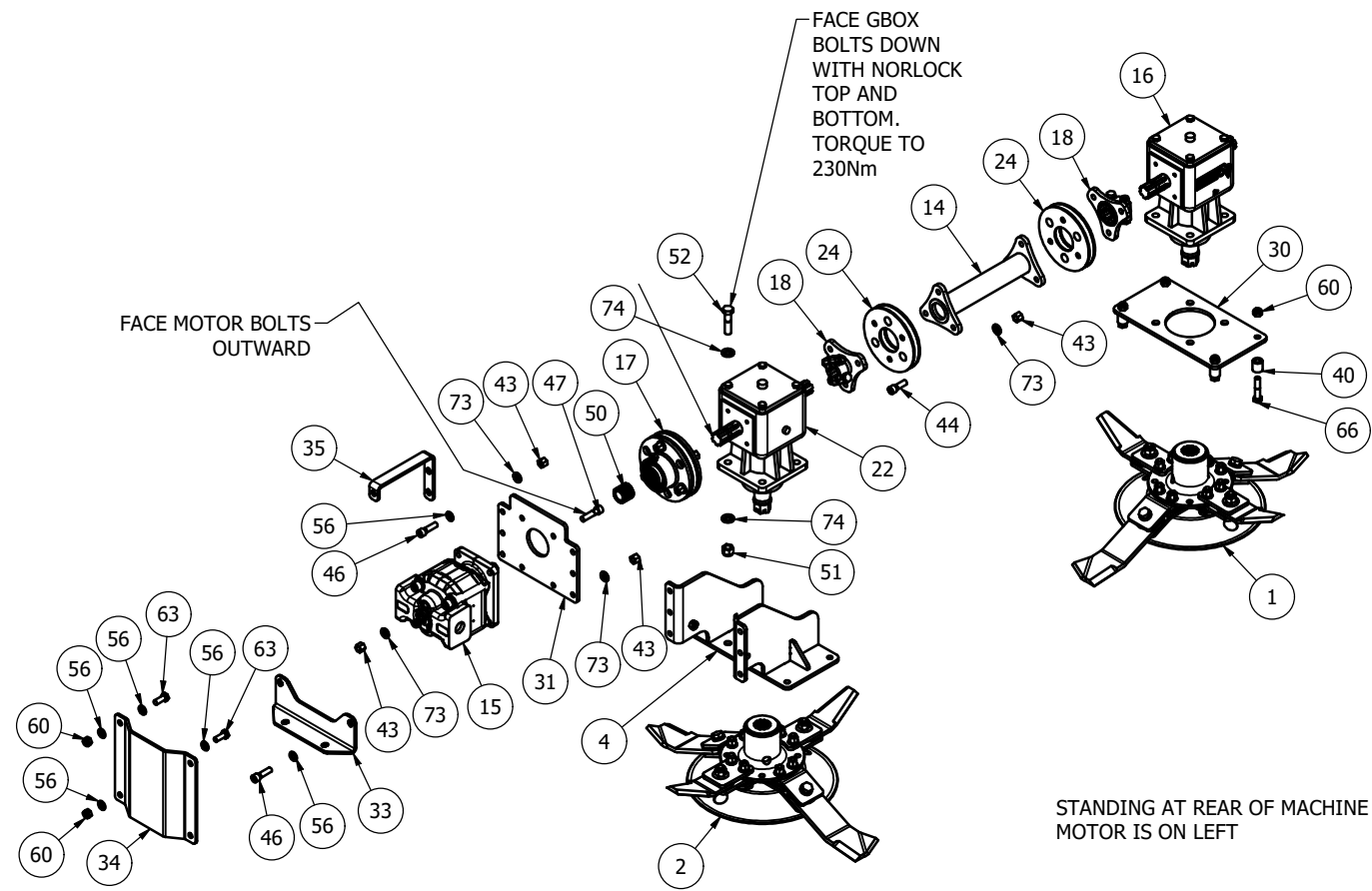


MJ39-143-D (Digger model) - Parts list

Item	Part No.	Description	Qty
1	755-DCBLDHXFS2-L	755 BLADE (Anti_Clk)	1
2	755-DCBLDHXFS2-R	755 BLADE (Clk)	1
3	MJ35-150-ROL01	MJ35-150 BODY ROLLER	1
4	MJ39-143-HDM30	HEDGE CUTTER MOTOR MOUNT	1
5	MJ39-143-BD40	HEDGE CUTTER BODY	1
6	MJ39-143-CRV25	GEARBOX COVER	1
7	MJ39-143-DB10	DIGGER MOUNT	1
8	MJ39-143-HD10	FRONT HOOD	1
9	MJ39-143-RPV10	HYD ROLLER PIVOT ARM	1
10	MJ39-143-RPV10-H	HYD ROLLER PIVOT ARM	1
11	MJ39-143-RPV20	HEIGHT ADJUST BAR	2
12	MJ39-143-SKD60	SKID (RH)	1
13	MJ39-143-SKD60H	SKID (LH)	1
14	0940B031001	304mm DRIVE	1
15	1MPNC125RE01R-012	ROQUET 83cc MOTOR	1
16	MJ40T	6 SPLINE 'T' BOX RATIO 1.47 (347801)	1
17	699302	WS OVERRUN CLUTCH EFK65/14L	1
18	DRV-6S-52DC	6 SPLINE 50mm DRIVE	2
19	MJ39-143-CRV12	RUBBER GUARD	1
20	MJ39-143-CRV14	RUBBER GUARD	1
21	MJ39-143-CRV15	TOP RUBBER GUARD	2
22	MJ40T-S	SHORT 347801-S 'T' BOX RATIO 1.47	1
23	MJRC-137	DIA 90 RUBBER COUPLING	1
24	MJRC-23-40	23mm COUPLING 40 SHORE	2
25	MJ39-143-BD38	ROLLER PIVOT WASHER	2
26	MJ39-143-BD54	ROLLER PIVOT WASHER	4
27	MJ39-143-CRV13	GUARD CLAMP	1
28	MJ39-143-CRV16	TOP GUARD CLAMP	2
29	MJ39-143-HD16	FRONT HOOD STRUT	1
30	MJ39-143-HDM35	BASE PLATE	1
31	MJ39-143-HDM40	ROQUET FACE PLATE	1
32	8400RM-CV30	GUARD BASE MOUNT	1
33	MJ39-143-BD48	HYD MOUNT BODY SUPPORT	1
34	MJ39-143-BD60	MOTOR GUARD	1
35	MJ39-143-BD61	MOTOR GUARD TIE	2
36	MJ39-143-CRV11	FRONT GUARD	1
37	MJ39-143-DF01	REAR DEFLECTOR (RH)	1
38	MJ39-143-DF01-H	REAR DEFLECTOR (LH)	1
39	16WT-BBS	BLADE BACK SPACER	4
40	MJ35-150-TR07	TROUGH BUSH	8
41	RM-RSN3	SHAFT COLLAR DIA 35	2
42	111227	SQ 74-78mm INSERT	6
43	12HEX109	1/2HEX10.9	28
44	12x112FSKS	1/2"x1 1/2" FINE SOCKET HEAD 12.9	12
45	12x114SKS	1/2"x1 1/4" FINE SOCKET HEAD 12.9	6
46	12x134FSKS	1/2"x1 3/4" FINE SOCKET HEAD 12.9	6
47	12x2FSKS	1/2"x2" FINE SOCKET HEAD 12.9	4
48	150507	M16x82x120mm SQ U-BOLT	6
49	37	LINCH PIN DIA 6	1
50	4410017	SPLINE GEAR 20T 1:8	1
51	5/8F	5/8" FINE NYLOC NUT	8
52	58x212FBZP	5/8"x2 1/2" FINE BOLT	8
53	CFH-38	38mm SNAP RING	1
54	CP176-181MG1	45mm INSERT	3
55	CW39174	DISC SPRING 39x17x4 (YELLOW)	6
56	FWM12	M12 FLAT WASHER	76
57	FWM12XL	M12 FLAT WASHER (EX-LARGE)	4
58	FWM16	M16 FLAT WASHER	24
59	M10X10GSO	M10x10 GRUB SCREW OVAL POINT	2
60	M12	M12 NYLOC NUT	47
61	M12x20SZP	M12x20 SET BOLT	2
62	M12x25SZP	M12x25 SET BOLT	8
63	M12x30SZP	M12x30 SET BOLT	12
64	M12x35BZP	M12x35 BOLT	10
65	M12x40BZP	M12x40 BOLT	11
66	M12x60BZP	M12x60 BOLT	8
67	M16	M16 NYLOC NUT	18
68	M16x110BZP	M16x110 BOLT	2
69	M16x120BZP	M16x120 BOLT	2
70	M16x40SZP	M16x40 SET BOLT	6
71	M16x90BZP	M16x90 BOLT	2
72	M8x12SKS	M8x12mm SOCKET HEAD 12.9	2
73	NL12SP	M12 SP NORDLOCK	32
74	NL16SP	M16 SP NORDLOCK	16
75	S15501	CAT 0 PIN DIA 16x97mm	1
76	S849	GREASE NIPPLE M6 STR	2

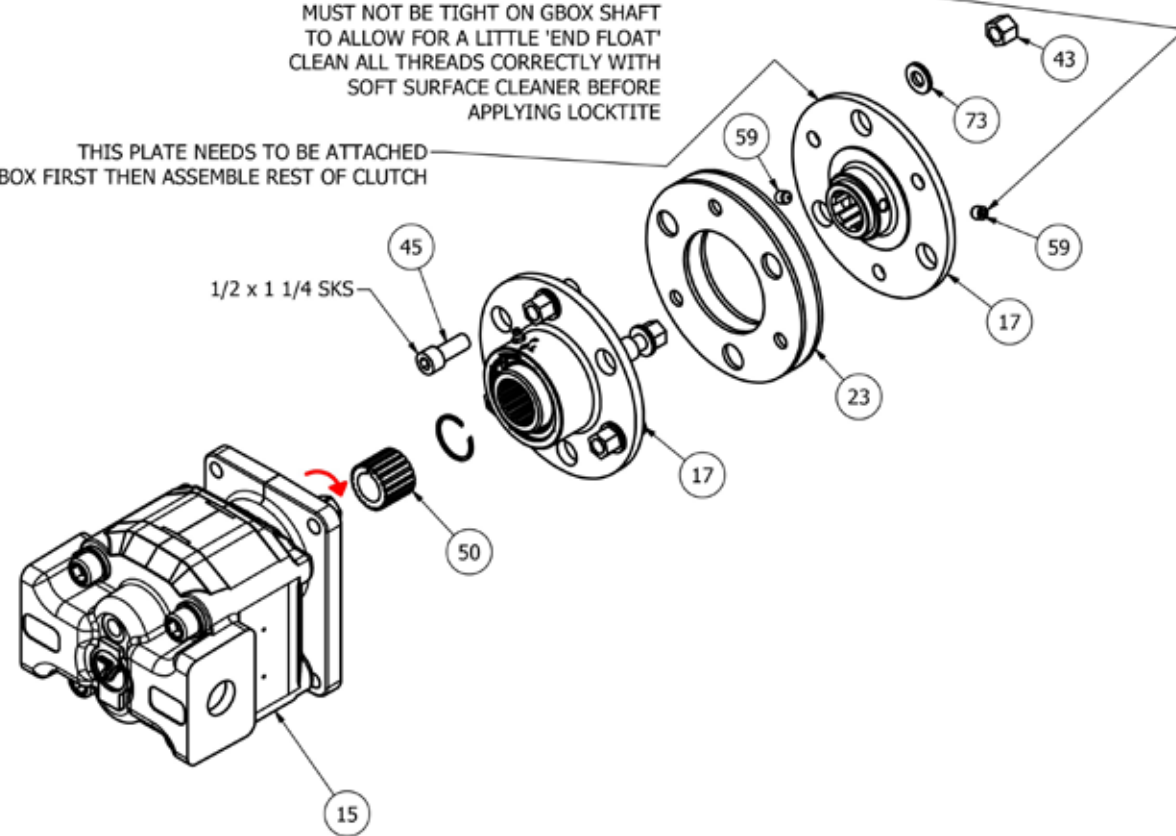
Items in bold - further details provided

MJ39-143-D (Digger model) (continued)



INSERT M10 OVAL POINT GRUB SCREW INTO EACH HOLE WITH RED LOCKTITE MUST NOT BE TIGHT ON GBOX SHAFT TO ALLOW FOR A LITTLE 'END FLOAT' CLEAN ALL THREADS CORRECTLY WITH SOFT SURFACE CLEANER BEFORE APPLYING LOCKTITE

THIS PLATE NEEDS TO BE ATTACHED TO GBOX FIRST THEN ASSEMBLE REST OF CLUTCH

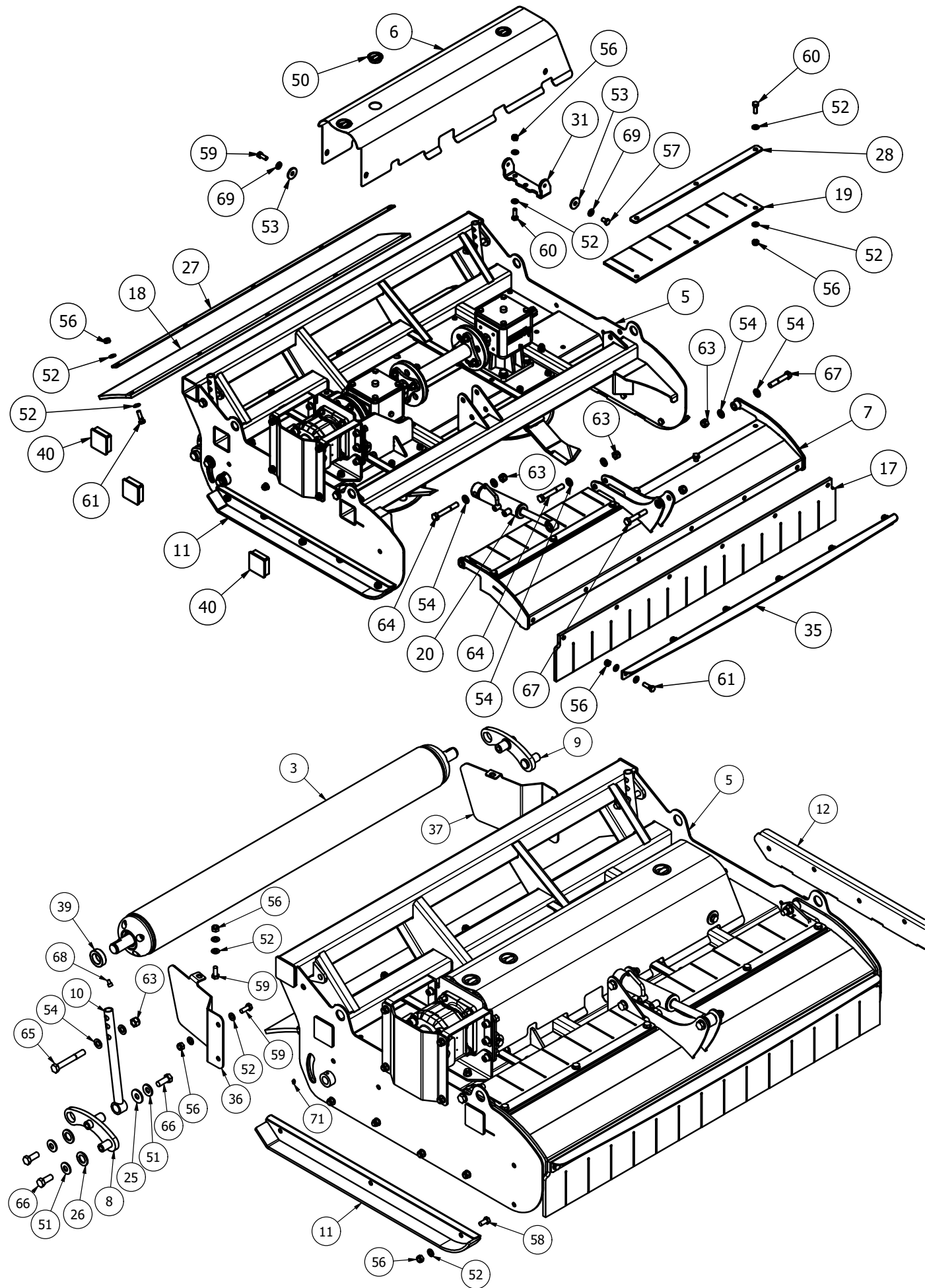


MJ39-143-D (Digger model) - Parts list

Item	Part No.	Description	Qty
1	755-DCBLDHXFS2-L	755 BLADE (Anti_Clk)	1
2	755-DCBLDHXFS2-R	755 BLADE (Clk)	1
3	MJ35-150-ROL01	MJ35-150 BODY ROLLER	1
4	MJ39-143-HDM30	HEDGE CUTTER MOTOR MOUNT	1
5	MJ39-143-BD40	HEDGE CUTTER BODY	1
6	MJ39-143-CRV25	GEARBOX COVER	1
7	MJ39-143-DB10	DIGGER MOUNT	1
8	MJ39-143-HD10	FRONT HOOD	1
9	MJ39-143-RPV10	HYD ROLLER PIVOT ARM	1
10	MJ39-143-RPV10-H	HYD ROLLER PIVOT ARM	1
11	MJ39-143-RPV20	HEIGHT ADJUST BAR	2
12	MJ39-143-SKD60	SKID (RH)	1
13	MJ39-143-SKD60H	SKID (LH)	1
14	0940B031001	304mm DRIVE	1
15	1MPNC125RE01R-012	ROQUET 83cc MOTOR	1
16	MJ40T	6 SPLINE 'T' BOX RATIO 1.47 (347801)	1
17	699302	WS OVERRUN CLUTCH EFK65/14L	1
18	DRV-6S-52DC	6 SPLINE 50mm DRIVE	2
19	MJ39-143-CRV12	RUBBER GUARD	1
20	MJ39-143-CRV14	RUBBER GUARD	1
21	MJ39-143-CRV15	TOP RUBBER GUARD	2
22	MJ40T-S	SHORT 347801-S 'T' BOX RATIO 1.47	1
23	MJRC-137	DIA 90 RUBBER COUPLING	1
24	MJRC-23-40	23mm COUPLING 40 SHORE	2
25	MJ39-143-BD38	ROLLER PIVOT WASHER	2
26	MJ39-143-BD54	ROLLER PIVOT WASHER	4
27	MJ39-143-CRV13	GUARD CLAMP	1
28	MJ39-143-CRV16	TOP GUARD CLAMP	2
29	MJ39-143-HD16	FRONT HOOD STRUT	1
30	MJ39-143-HDM35	BASE PLATE	1
31	MJ39-143-HDM40	ROQUET FACE PLATE	1
32	8400RM-CV30	GUARD BASE MOUNT	1
33	MJ39-143-BD48	HYD MOUNT BODY SUPPORT	1
34	MJ39-143-BD60	MOTOR GUARD	1
35	MJ39-143-BD61	MOTOR GUARD TIE	2
36	MJ39-143-CRV11	FRONT GUARD	1
37	MJ39-143-DF01	REAR DEFLECTOR (RH)	1
38	MJ39-143-DF01-H	REAR DEFLECTOR (LH)	1
39	16WT-BBS	BLADE BACK SPACER	4
40	MJ35-150-TR07	TROUGH BUSH	8
41	RM-RSN3	SHAFT COLLAR DIA 35	2
42	111227	SQ 74-78mm INSERT	6
43	12HEX109	1/2HEX10.9	28
44	12x112FSKS	1/2"x1 1/2" FINE SOCKET HEAD 12.9	12
45	12x114SKS	1/2"x1 1/4" FINE SOCKET HEAD 12.9	6
46	12x134FSKS	1/2"x1 3/4" FINE SOCKET HEAD 12.9	6
47	12x2FSKS	1/2"x2" FINE SOCKET HEAD 12.9	4
48	150507	M16x82x120mm SQ U-BOLT	6
49	37	LINCH PIN DIA 6	1
50	4410017	SPLINE GEAR 20T 1:8	1
51	5/8F	5/8" FINE NYLOC NUT	8
52	58x212FBZP	5/8"x2 1/2" FINE BOLT	8
53	CFH-38	38mm SNAP RING	1
54	CP176-181MG1	45mm INSERT	3
55	CW39174	DISC SPRING 39x17x4 (YELLOW)	6
56	FWM12	M12 FLAT WASHER	76
57	FWM12XL	M12 FLAT WASHER (EX-LARGE)	4
58	FWM16	M16 FLAT WASHER	24
59	M10X10GSO	M10x10 GRUB SCREW OVAL POINT	2
60	M12	M12 NYLOC NUT	47
61	M12x20SZP	M12x20 SET BOLT	2
62	M12x25SZP	M12x25 SET BOLT	8
63	M12x30SZP	M12x30 SET BOLT	12
64	M12x35BZP	M12x35 BOLT	10
65	M12x40BZP	M12x40 BOLT	11
66	M12x60BZP	M12x60 BOLT	8
67	M16	M16 NYLOC NUT	18
68	M16x110BZP	M16x110 BOLT	2
69	M16x120BZP	M16x120 BOLT	2
70	M16x40SZP	M16x40 SET BOLT	6
71	M16x90BZP	M16x90 BOLT	2
72	M8x12SKS	M8x12mm SOCKET HEAD 12.9	2
73	NL12SP	M12 SP NORDLOCK	32
74	NL16SP	M16 SP NORDLOCK	16
75	S15501	CAT 0 PIN DIA 16x97mm	1
76	S849	GREASE NIPPLE M6 STR	2

Items in bold - further details provided

MJ39-143 (Power Arm model)

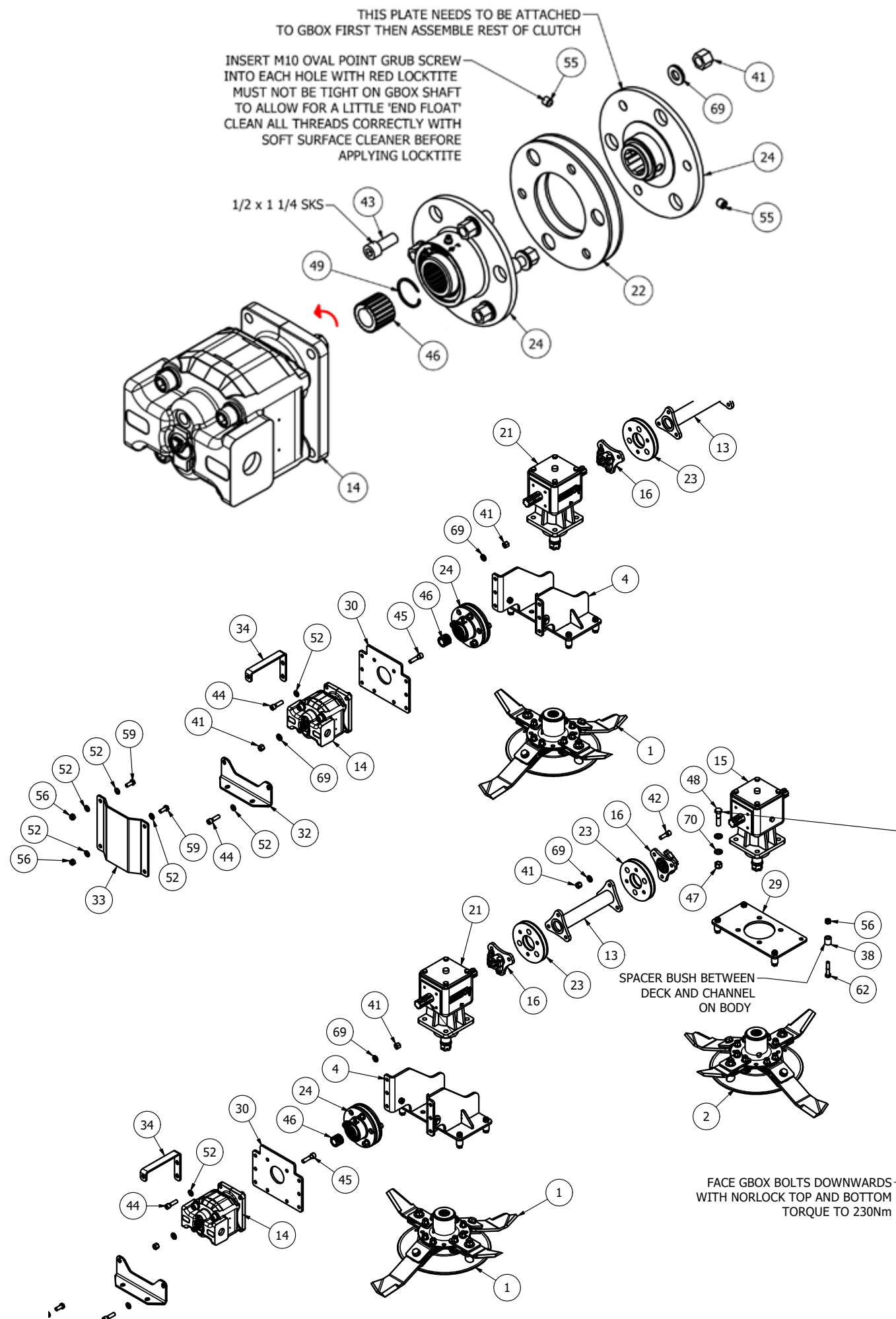


MJ39-143 (Power Arm model) - Parts list

Item	Part No.	Description	Qty
1	755-DCBLDHXFS2-L	755 BLADE (Anti_Clk)	1
2	755-DCBLDHXFS2-R	755 BLADE (Clk)	1
3	MJ35-150-ROL01	MJ35-150 BODY ROLLER	1
4	MJ39-143-HDM30	HEDGE CUTTER MOTOR MOUNT	1
5	MJ39-143-BD40	HEDGE CUTTER BODY	1
6	MJ39-143-CRV25	GEARBOX COVER	1
7	MJ39-143-HD10	FRONT HOOD	1
8	MJ39-143-RPV10	HYD ROLLER PIVOT ARM	1
9	MJ39-143-RPV10-H	HYD ROLLER PIVOT ARM	1
10	MJ39-143-RPV20	HEIGHT ADJUST BAR	2
11	MJ39-143-SKD60	SKID (RH)	1
12	MJ39-143-SKD60H	SKID (LH)	1
13	0940B031001	304mm DRIVE	1
14	1MPNC125RE01R-012	ROQUET 83cc MOTOR	1
15	MJ40T	6 SPLINE 'T' BOX RATIO 1.47 (347801)	1
16	DRV-6S-52DC	6 SPLINE 50mm DRIVE	2
17	MJ39-143-CRV12	RUBBER GUARD	1
18	MJ39-143-CRV14	RUBBER GUARD	1
19	MJ39-143-CRV15	TOP RUBBER GUARD	2
20	MJ39-RAM	HEDGE CUTTER RAM	1
21	MJ40T-S	SHORT 347801-S 'T' BOX RATIO 1.47	1
22	MJRC-137	DIA 90 RUBBER COUPLING	1
23	MJRC-23-40	23mm COUPLING 40 SHORE	2
24	WS699306	WS OVERRUN CLUTCH EFK65/14R	1
25	MJ39-143-BD38	ROLLER PIVOT WASHER	2
26	MJ39-143-BD54	ROLLER PIVOT WASHER	4
27	MJ39-143-CRV13	GUARD CLAMP	1
28	MJ39-143-CRV16	TOP GUARD CLAMP	2
29	MJ39-143-HDM35	BASE PLATE	1
30	MJ39-143-HDM40	ROQUET FACE PLATE	1
31	8400RM-CV30	GUARD BASE MOUNT	1
32	MJ39-143-BD48	HYD MOUNT BODY SUPPORT	1
33	MJ39-143-BD60	MOTOR GUARD	1
34	MJ39-143-BD61	MOTOR GUARD TIE	2
35	MJ39-143-CRV11	FRONT GUARD	1
36	MJ39-143-DF01	REAR DEFLECTOR (RH)	1
37	MJ39-143-DF01-H	REAR DEFLECTOR (LH)	1
38	MJ35-150-TR07	TROUGH BUSH	8
39	RM-RSN3	SHAFT COLLAR DIA 35	2
40	111227	SQ 74-78mm INSERT	6
41	12HEX109	1/2HEX10.9	28
42	12x112FSKS	1/2"x1 1/2" FINE SOCKET HEAD 12.9	12
43	12x114SKS	1/2"x1 1/4" FINE SOCKET HEAD 12.9	6
44	12x134FSKS	1/2"x1 3/4" FINE SOCKET HEAD 12.9	6
45	12x2FSKS	1/2"x2" FINE SOCKET HEAD 12.9	4
46	4410017	SPLINE GEAR 20T 1:8	1
47	5/8F	5/8" FINE NYLOC NUT	8
48	58x212FBZP	5/8"x2 1/2" FINE BOLT	8
49	CFH-38	38mm SNAP RING	1
50	CP176-181MG1	45mm INSERT	3
51	CW39174	DISC SPRING 39x17x4 (YELLOW)	6
52	FWM12	M12 FLAT WASHER	76
53	FWM12XL	M12 FLAT WASHER (EX-LARGE)	4
54	FWM16	M16 FLAT WASHER	14
55	M10X10GSO	M10x10 GRUB SCREW OVAL POINT	2
56	M12	M12 NYLOC NUT	47
57	M12x20SZP	M12x20 SET BOLT	2
58	M12x25SZP	M12x25 SET BOLT	8
59	M12x30SZP	M12x30 SET BOLT	12
60	M12x35BZP	M12x35 BOLT	10
61	M12x40BZP	M12x40 BOLT	11
62	M12x60BZP	M12x60 BOLT	8
63	M16	M16 NYLOC NUT	7
64	M16x110BZP	M16x110 BOLT	2
65	M16x120BZP	M16x120 BOLT	2
66	M16x40SZP	M16x40 SET BOLT	6
67	M16x90BZP	M16x90 BOLT	3
68	M8x12SKS	M8x12mm SOCKET HEAD 12.9	2
69	NL12SP	M12 SP NORDLOCK	32
70	NL16SP	M16 SP NORDLOCK	16
71	S849	GREASE NIPPLE M6 STR	2

Items in bold - further details provided

MJ39-143 (Power Arm model) (continued)



MJ39-143 (Power Arm model) - Parts list

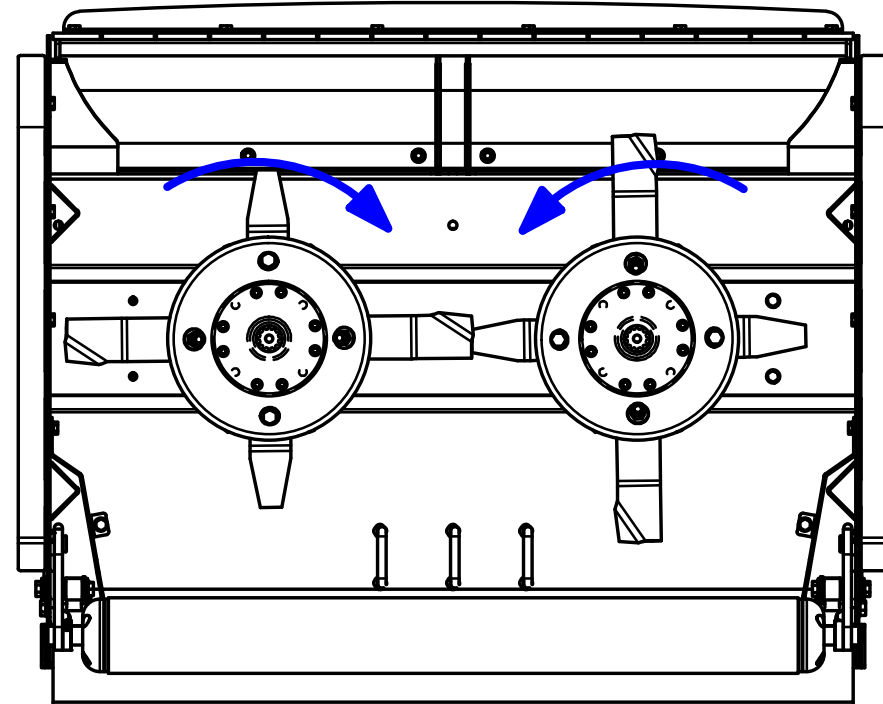
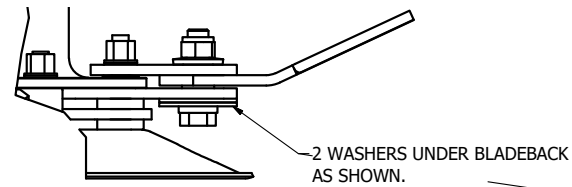
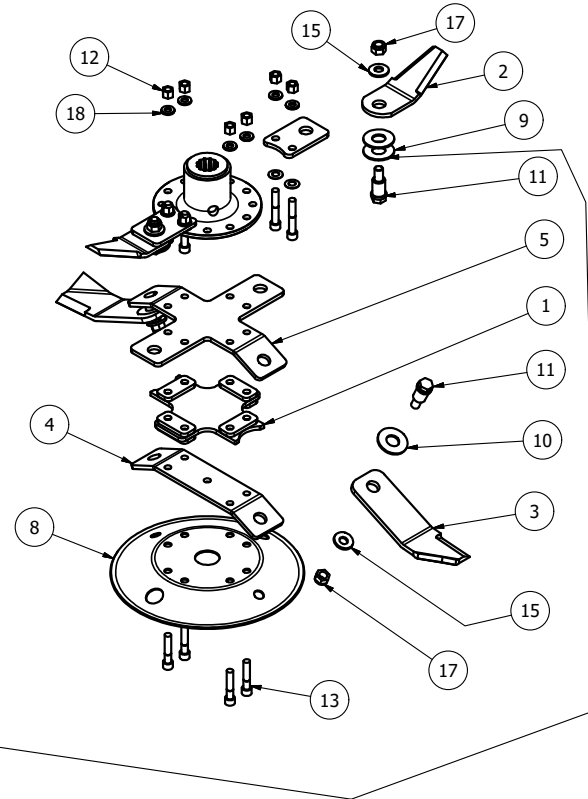
Item	Part No.	Description	Qty
1	755-DCBLDHXFS2-L	755 BLADE (Anti_Clk)	1
2	755-DCBLDHXFS2-R	755 BLADE (Clk)	1
3	MJ35-150-ROL01	MJ35-150 BODY ROLLER	1
4	MJ39-143-HDM30	HEDGE CUTTER MOTOR MOUNT	1
5	MJ39-143-BD40	HEDGE CUTTER BODY	1
6	MJ39-143-CRV25	GEARBOX COVER	1
7	MJ39-143-HD10	FRONT HOOD	1
8	MJ39-143-RPV10	HYD ROLLER PIVOT ARM	1
9	MJ39-143-RPV10-H	HYD ROLLER PIVOT ARM	1
10	MJ39-143-RPV20	HEIGHT ADJUST BAR	2
11	MJ39-143-SKD60	SKID (RH)	1
12	MJ39-143-SKD60H	SKID (LH)	1
13	0940B031001	304mm DRIVE	1
14	1MPNC125RE01R-012	ROQUET 83cc MOTOR	1
15	MJ40T	6 SPLINE 'T' BOX RATIO 1.47 (347801)	1
16	DRV-6S-52DC	6 SPLINE 50mm DRIVE	2
17	MJ39-143-CRV12	RUBBER GUARD	1
18	MJ39-143-CRV14	RUBBER GUARD	1
19	MJ39-143-CRV15	TOP RUBBER GUARD	2
20	MJ39-RAM	HEDGE CUTTER RAM	1
21	MJ40T-S	SHORT 347801-S 'T' BOX RATIO 1.47	1
22	MJRC-137	DIA 90 RUBBER COUPLING	1
23	MJRC-23-40	23mm COUPLING 40 SHORE	2
24	WS699306	WS OVERRUN CLUTCH EFK65/14R	1
25	MJ39-143-BD38	ROLLER PIVOT WASHER	2
26	MJ39-143-BD54	ROLLER PIVOT WASHER	4
27	MJ39-143-CRV13	GUARD CLAMP	1
28	MJ39-143-CRV16	TOP GUARD CLAMP	2
29	MJ39-143-HDM35	BASE PLATE	1
30	MJ39-143-HDM40	ROQUET FACE PLATE	1
31	8400RM-CV30	GUARD BASE MOUNT	1
32	MJ39-143-BD48	HYD MOUNT BODY SUPPORT	1
33	MJ39-143-BD60	MOTOR GUARD	1
34	MJ39-143-BD61	MOTOR GUARD TIE	2
35	MJ39-143-CRV11	FRONT GUARD	1
36	MJ39-143-DF01	REAR DEFLECTOR (RH)	1
37	MJ39-143-DF01-H	REAR DEFLECTOR (LH)	1
38	MJ35-150-TR07	TROUGH BUSH	8
39	RM-RSN3	SHAFT COLLAR DIA 35	2
40	111227	SQ 74-78mm INSERT	6
41	12HEX109	1/2HEX10.9	28
42	12x112FSKS	1/2"x1 1/2" FINE SOCKET HEAD 12.9	12
43	12x114SKS	1/2"x1 1/4" FINE SOCKET HEAD 12.9	6
44	12x134FSKS	1/2"x1 3/4" FINE SOCKET HEAD 12.9	6
45	12x2FSKS	1/2"x2" FINE SOCKET HEAD 12.9	4
46	4410017	SPLINE GEAR 20T 1:8	1
47	5/8F	5/8" FINE NYLOC NUT	8
48	58x212FBZP	5/8"x2 1/2" FINE BOLT	8
49	CFH-38	38mm SNAP RING	1
50	CP176-181MG1	45mm INSERT	3
51	CW39174	DISC SPRING 39x17x4 (YELLOW)	6
52	FWM12	M12 FLAT WASHER	76
53	FWM12XL	M12 FLAT WASHER (EX-LARGE)	4
54	FWM16	M16 FLAT WASHER	14
55	M10X10GSO	M10x10 GRUB SCREW OVAL POINT	2
56	M12	M12 NYLOC NUT	47
57	M12x20SZP	M12x20 SET BOLT	2
58	M12x25SZP	M12x25 SET BOLT	8
59	M12x30SZP	M12x30 SET BOLT	12
60	M12x35BZP	M12x35 BOLT	10
61	M12x40BZP	M12x40 BOLT	11
62	M12x60BZP	M12x60 BOLT	8
63	M16	M16 NYLOC NUT	7
64	M16x110BZP	M16x110 BOLT	2
65	M16x120BZP	M16x120 BOLT	2
66	M16x40SZP	M16x40 SET BOLT	6
67	M16x90BZP	M16x90 BOLT	3
68	M8x12SKS	M8x12mm SOCKET HEAD 12.9	2
69	NL12SP	M12 SP NORDLOCK	32
70	NL16SP	M16 SP NORDLOCK	16
71	S849	GREASE NIPPLE M6 STR	2

Items in bold - further details provided

755-DCBLDHXFS2-L Blade assembly

Item	Part No.	Description	Qty
1	BLDB-HC-STP1	HEDGE CUTTER BLADE STOP	1
2	BLD-25025-OVL	OVERLAP FOR BLADE 250xDia 25	2
3	BLD-27020-10-AC	BLADE 270xDia 20 (Anti-Clk)	2
4	BLDB-294-25	BLADE BACK (294 CTR 25 deg)	1
5	BLDBX-315-25	CROSS BLADE BACK (315 CTR 25 deg)	1
6	BLDBXT-315-30	OVERLAPPER MOUNT	2
7	DF-BMP	J205 G/BOX BLADE MOUNT	1
8	DISC-315-25	DISC (315 BLADE 25 deg)	1
9	BLD-25025H-WSR3	3mmxDIA 26 BLADE WASHER	4
10	BLD-25025H-WSR4	4mmxDIA 26 BLADE WASHER	2
11	BS-2510-01	THREADED BUSH DIA 25	4
12	12HEX109	1/2HEX10.9	8
13	12x212FSKS	1/2"x2 1/2" FINE SOCKET HEAD 12.9	4
14	12x3FSKS	1/2"x3" FINE SOCKET HEAD 12.9	4
15	CW39174	DISC SPRING 39x17x4 (YELLOW)	4
16	D281421	DISC SPRING 28x14.2x1.0	4
17	M16	M16 NYLOC NUT	4
18	NL12SP	M12 SP NORDLOCK	8

1 off MJ39

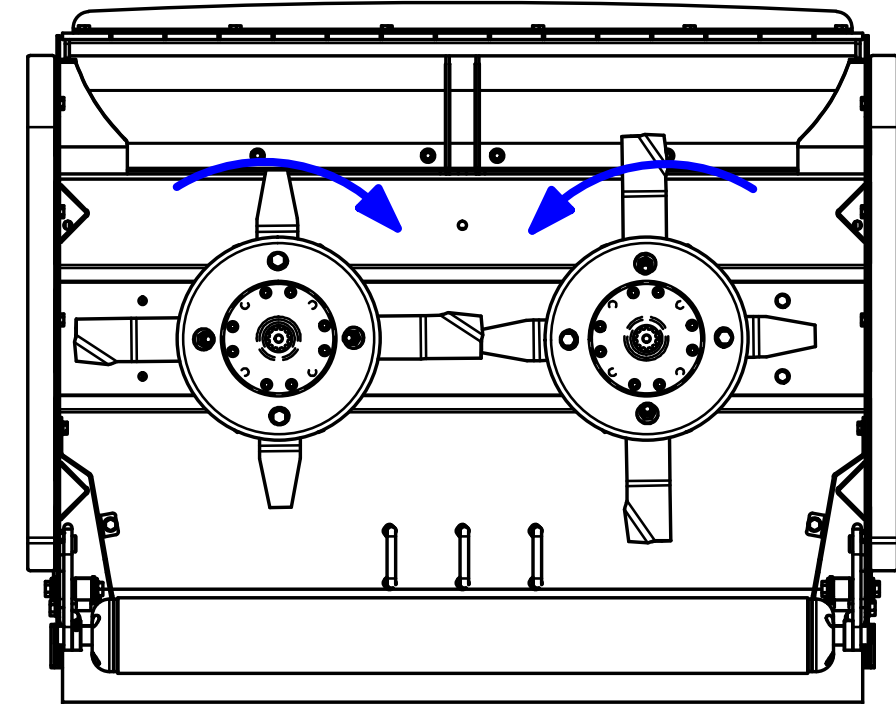
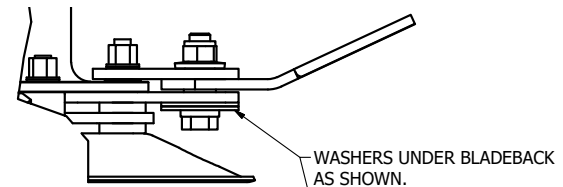
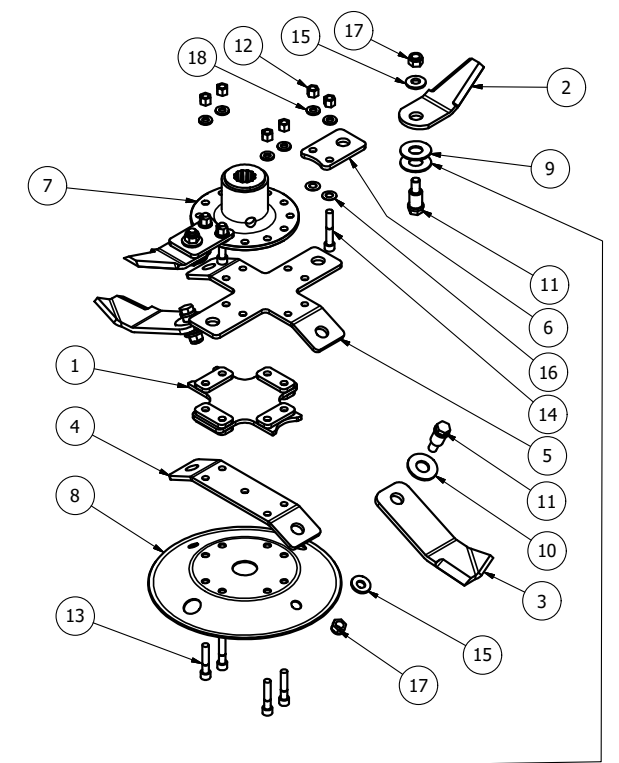


BLADE ROTATION
VIEWED FROM UNDERSIDE

755-DCBLDHXFS2-R Blade assembly

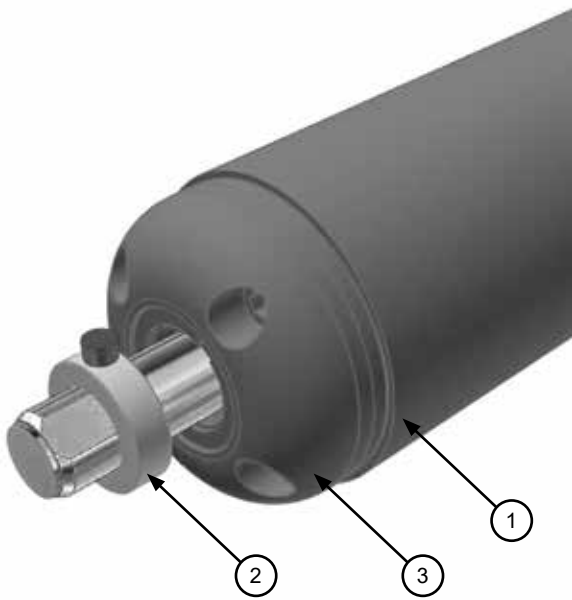
Item	Part No.	Description	Qty
1	BLDB-HC-STP1	HEDGE CUTTER BLADE STOP	1
2	BLD-25025-OVL	OVERLAP FOR BLADE 250xDia 25	2
3	BLD-27020-10-C	BLADE 270xDia 20 (Clk)	2
4	BLDB-294-25	BLADE BACK (294 CTR 25 deg)	1
5	BLDBX-315-25	CROSS BLADE BACK (315 CTR 25 deg)	1
6	BLDBXT-315-30	OVERLAPPER MOUNT	2
7	DF-BMP	J205 G/BOX BLADE MOUNT	1
8	DISC-315-25	DISC (315 BLADE 25 deg)	1
9	BLD-25025H-WSR3	3mmxDIA 26 BLADE WASHER	4
10	BLD-25025H-WSR4	4mmxDIA 26 BLADE WASHER	2
11	BS-2510-01	THREADED BUSH DIA 25	4
12	12HEX109	1/2HEX10.9	8
13	12x212FSKS	1/2"x2 1/2" FINE SOCKET HEAD 12.9	4
14	12x3FSKS	1/2"x3" FINE SOCKET HEAD 12.9	4
15	CW39174	DISC SPRING 39x17x4 (YELLOW)	4
16	D281421	DISC SPRING 28x14.2x1.0	4
17	M16	M16 NYLOC NUT	4
18	NL12SP	M12 SP NORDLOCK	8

1 off MJ39



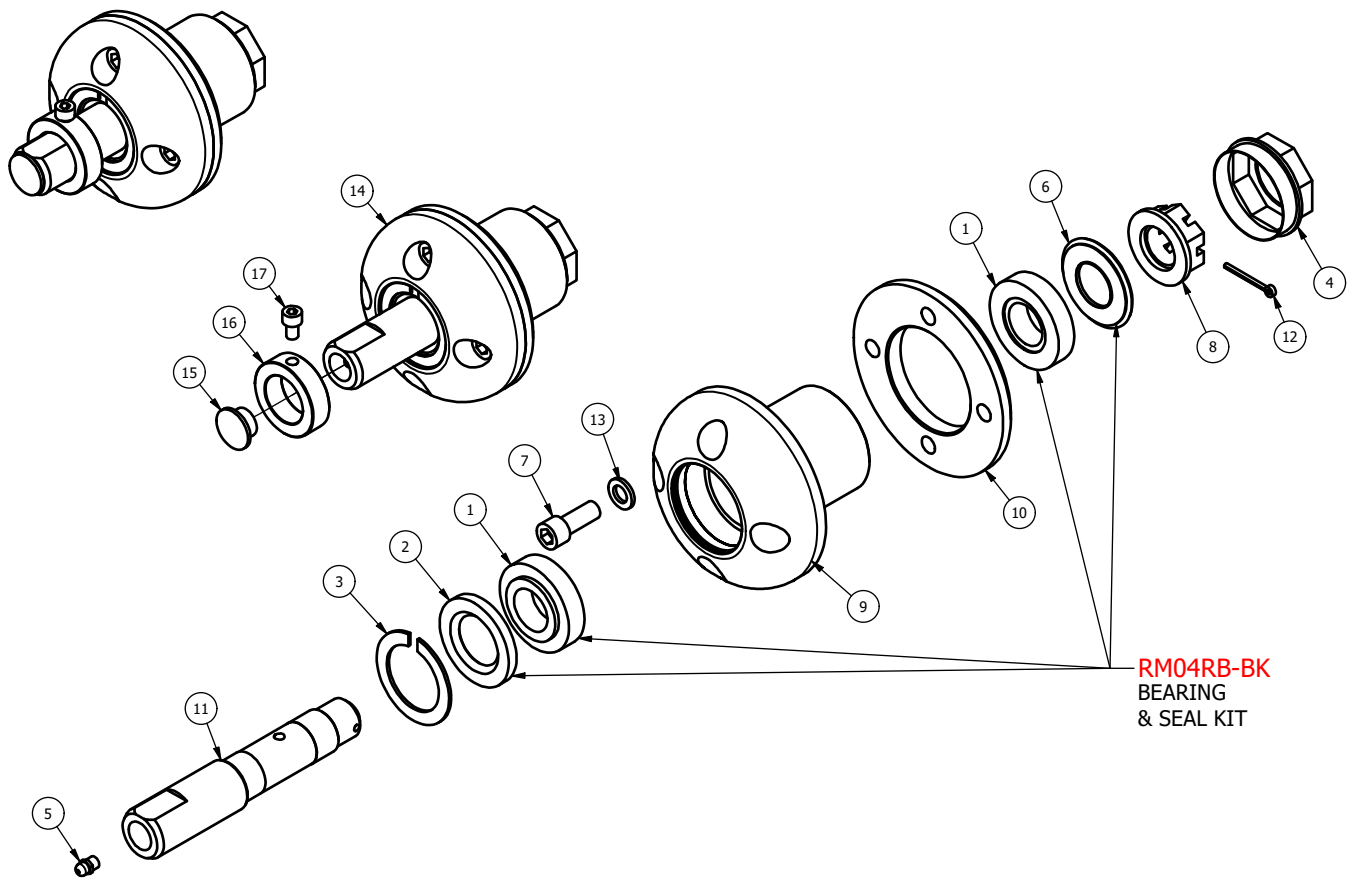
BLADE ROTATION
VIEWED FROM UNDERSIDE

MJ39 Roller



Item	Part No.	Description	Qty
1	MJ35-150-ROL01	Roller	1 per MJ39
2	RM-RSN3	Collar 35mm c/w bolt	2 per roller
3	RM-04RBE	Roller end bearing assembly	2 per roller

Roller End Assembly (RM-04RBE)



Item	Part No.	Description	Qty
1	30206	TAPER BRG 62x30x17.25	2
2	35627	SEAL 35x62x7	1
3	55112	DIA 62 INT CIRCLIP	1
4	20050/1	DUST CAP DIA 62mm	1
5	851	GREASE NIPPLE M8x1.25 STR	1
6	30x62	WIPE SEAL	1
7	M12x30SKS	M12x30 SOCKET HEAD SCREW	4
8	RM-04NUT	NUT-WASHER WELDMENT	1
9	RM-04REH	ROLLER END HOUSING	1
10	RM-04REP	ROLLER END PLATE	1
11	RM-04RES	ROLLER END SHAFT	1
12	S1500	SPLIT PIN 1/8"x1 1/2"	1
13	SWM12	M12 SPRING WASHER	4
14	RM-04RBE	ROLLER END (TAPER BRG)	1
15	12980	DIA 20mm INSERT	1
16	RM-RSN3	SHAFT COLLAR DIA 35	1
17	M8x12SKS	M8x12mm SOCKET HEAD 12.9	1

1MPNC125RE01R-012 hydraulic motor

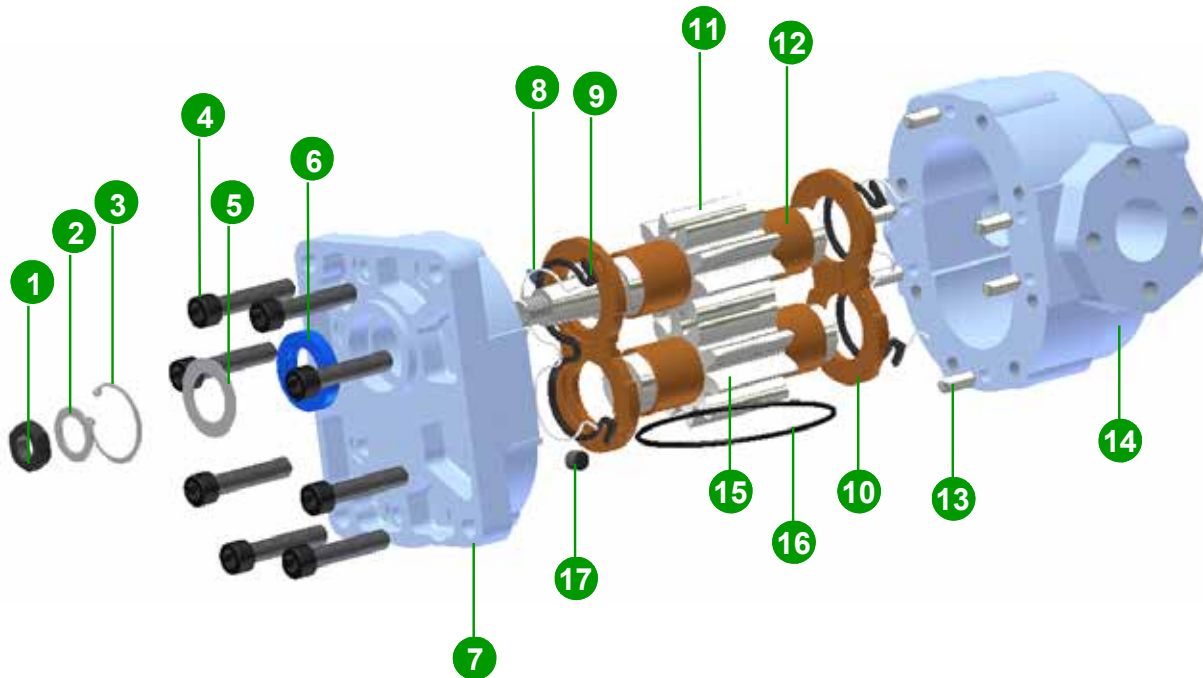
Part No.	Description
KB01PNC@E	Drive shaft KIT
KB02PLC@-PNC	Driven shaft KIT
KB03PNCMRNN00	Seals KIT
KB04PNC01MN	Front flange KIT
KB05PNCR00RS	Back cover KIT
KB07PNCRN	Bearing assembly KIT
KB09PNC@000	Body KIT
KB11PNCE	Shaft key KIT
	Key (35x4.78)
	Nut M16x1.5

030W0MD80E564XD0R hydraulic motor
030W0MD80E564XS0R hydraulic motor

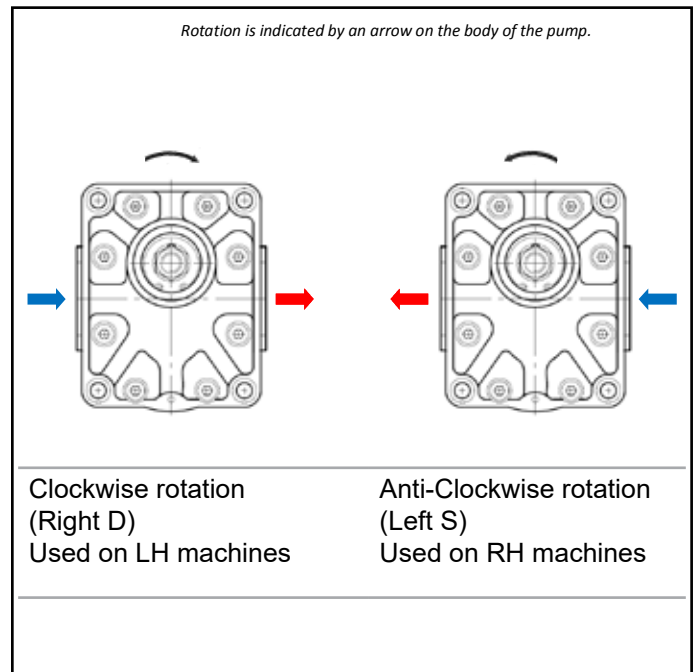
030W0MD80E564XD0R Rotation - Right (clockwise) used on LH machines

030W0MD80E564XS0R Rotation - Left (anti-clockwise) used on RH machines

One way rotation only!



Item	Part No.	Description	Qty
1		Hexagonal nut	1
2		Safety ring	1
3		Snap ring	1
4		Bolt	8
5		Rotary shaft seal ring	1
6*		Rotary shaft seal	1
7		Front flange	1
8*		B-K seals	2
9*		Compensation seal	2
10*		Thrust plates	2
11		Drive gear	1
12		Bushing	4
13		Pin	6
14		Housing	1
15		Idle gear	1
16*		Under cover seal	1
17		Grub screw 1/8" G	1

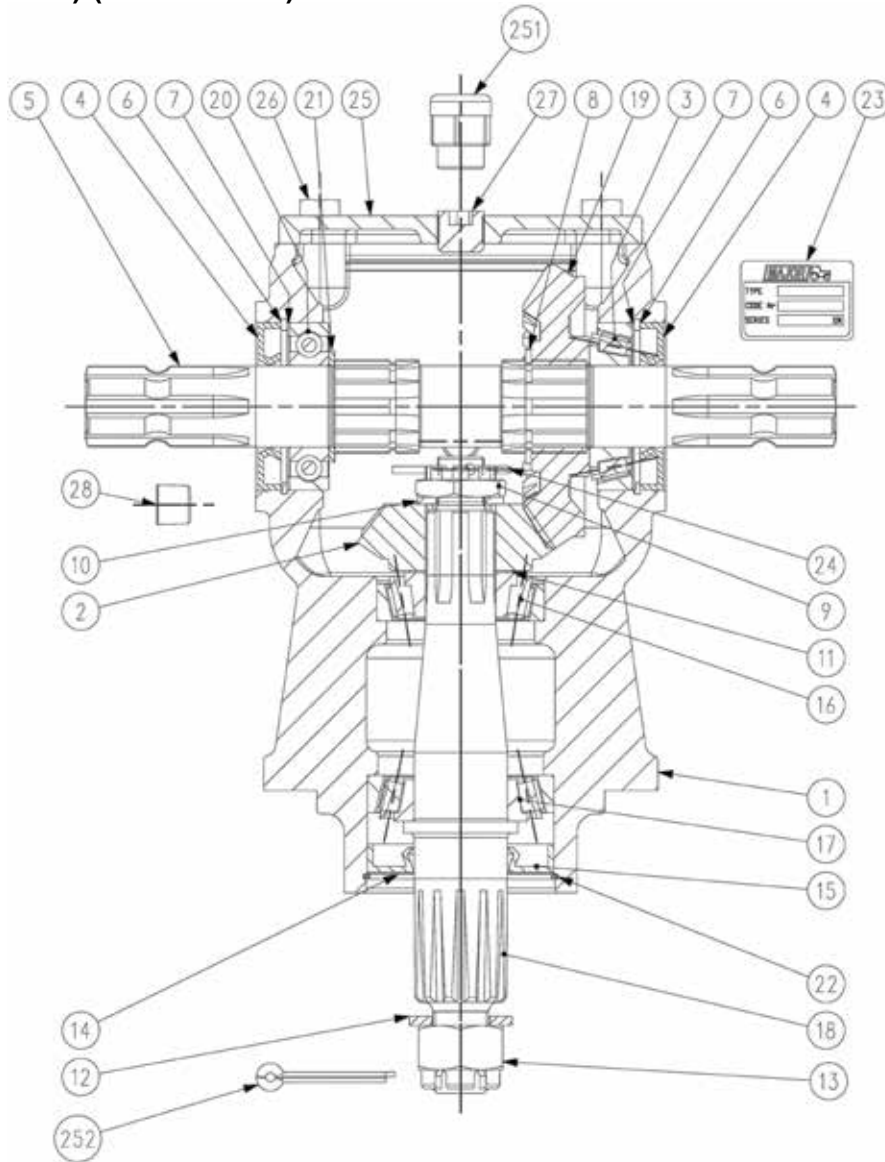


*-items included in a seal kit

Complete seal kit number:
 SK033W0MD80E564XD0R

MJ40T (347.801) (1.47)

MJ40T-S (347.801-S) (1.47 SHORT)



Item	Part No	Description	Qty
1	0.347.0300.00	Casting and Machining	1
2	U0.040.5004.00	Gear Pinion Z15 M5.5	1
3	8.0.9.00026	Roller Bearing 30207 (35x72x28.25)	1
4	8.7.3.00055	Oil Seal (35x72x10)	2
5	0.347.3000.00	Through Shaft 1"3/8 Z6 - 1"3/8 Z6	1
5		Short shaft for MJ40T-S	
6	8.5.2.00131	Snap Ring (72x75x2.5 , For Holes)	2
7	0.248.7500.00	Shim Kit (60.3x71.7)	2
8	8.5.1.00680	Snap Ring (40x37.5x2.5 , for shafts)	1
9	0.289.7102.02	Castle Nut (M20x1)	1
10	8.3.2.00531	Flat Washer (21x37x3)	1
11	0.102.7500.00	Shim kit (30.3x44)	1
12	LF135-2	Flat Washer (25x44x4)	1
13	LF135-1	Castle Nut (M24x2)	1
14	1.135.7100.00	Protective Flat Washer (40.4x79.9x1)	1

15	8.7.1.00748	Dust Lip (40x80x12)	1
16	8.0.9.01049	Roller Bearing 30306 (30x72x20.65)	1
17	8.0.9.00024	Roller Bearing 30208 (40x80x19.75)	1
18	U0.040.3006.01	Output Shaft ASA D.P. 8/16 Z12	1
19	U0.040.6004.00	Gear Crown Z22 M5.5	1
20	8.0.1.00870	Ball Bearing 6207 (35x72x17)	1
21	0.259.7525.00	Shim (35.5x48x2.5)	1
22	8.5.3.00955	Snap Ring SB 81 (81x82.8x2)	1
23	0.205.7100.00	"Major" Name Plate	1
24	8.4.7.00823	Cotter Pin (4x40)	1
25	0.347.1300.00	Top Cover	1
26	8.1.1.00061	Bolt M10x25 HHB (8.8)	4
27	8.6.6.00088	1/2" Gas Solid Plug	1
28	8.6.6.00201	3/8" Gas Oil Level Plug	1
251	8.6.7.00269	1/2" Gas Oil Breather Plug	1
252	8.4.7.00516	Cotter Pin (5x50)	1

Registrer din maskine, så du får den korrekte garantidækning og alle relevante nyheder. For at registrere din maskine til garanti skal du besøge supportområdet på vores websted og indtaste dine oplysninger.

SUPPORT

Home / Support

Already purchased a Major machine?

Here are some resources to help you set up and maintain your machine.



Register Your Machine



Kontakt Major

Head Office

Major Equipment Intl Ltd

Ballyhaunis, Co. Mayo, F35 C891, Ireland

Tel: + 353 (0) 9496 30572

info@major-equipment.com

UK Office

Major Equipment Ltd

Major Ind. Estate, Heysham, Lancs, LA3 3JJ, UK

Tel: + 44 (0) 1524 850501

ukinfo@major-equipment.com

Netherlands Office

Major Equipment Intl Ltd (EU)

Postbus 29, NL-7700 AA Dedemsvaart, Nederland

Tel: + 31 (0) 6389 19585

euinfo@major-equipment.com

@MAJOREQUIPMENT



www.major-equipment.com