

Operator Manual & Parts List

MAJOR RANGE OF
ROLLERMOWERS



Head Office

Major Equipment Intl. Ltd.
Ballyhaunis,
Co. Mayo,
Ireland.

Tel.: +353 (0) 9496 30572
Fax: +353 (0) 9496 30788
Email: info@major-equipment.com

UK Office

Major Equipment Ltd.
Major Industrial Estate,
Middleton Rd.,
Heysham,
Lancs.
LA3 3JJ

Tel.: +44 (0) 1524 850 501
Fax: +44 (0) 1524 850 502
Email: ukinfo@major-equipment.com

NETHERLANDS & GERMANY OFFICE

Major Equipment Intl. Ltd.
Postbus 29,
NL-7700 AA ,
Dedemsvaart,
Nederland.

Tel: +31 (0) 6389 19585
Email: euinfo@major-equipment.com

Web: www.major-equipment.com



Find us on FACEBOOK
MAJOR MACHINERY



View our channel
MAJOREQUIPMENT

Disclaimer

While every effort has been made in the production of this manual to ensure that the information contained herein is full and correct, Major assumes no responsibility for errors or omissions.

Major reserves the right to modify the machinery and the technical data contained within the manual without prior notice.

Further to this, Major assumes no liability for any damages which may result from the use of the information contained within this manual.

Contents

Introduction

Thank you	1
Using Your Operator's Manual	1
Safety Issues	1

Product Identification

Machine Serial Numbers	1
Product Specifications	1
Register Your Product and Warranty Online	2

Safety

Machine Safety Labels	2
Operating Safely	4
Workstation	5
Regulations for use of the transmission	5
PTO Shaft Safety	5
Driving Safely on Public Roads	6
Noise Levels	6

Operating the Machine

Inspections before Use	6
Key to Main Parts	7
Starting Regulations	8
Hitching to the Tractor	8
Operating the Machine	9
Adjusting the Rollers	10
Blade Rotations	11

Maintenance

PTO Shaft Maintenance	12
Maintenance Schedule	12
Trouble Shooting	13

Spare Parts

4200GR Rollermower	15
8000GR Rollermower	16
6300GR Rollermower	17
8400GR Rollermower	19
6300GR and 8400GR Trailed Rollermower	21
11000GR & 15000GR Rollermower	22
12FT3PL Rollermower	28
Star Drive Couplings	31
12000GR, 17000GR & 18000GR Rollermowers	32
Roller End Assembly	37
Blades	38
PTO Shafts	45
Gearboxes	45
Coupling details	

EEC certificate of conformity for machines

(conforming to Directive 98/37/EEC)

Company: Major Equipment Ltd.
Address: Coolnaha,
Ballyhaunis,
Co. Mayo,
Ireland.
Tel. +353949630572
Fax +353949630788

declares in sole responsibility that the product:

ROLLERMOWER

When properly installed, maintained and used only for its intended purpose, complies with all the essential Health & Safety requirements of:

- **THE SUPPLY OF MACHINERY (SAFETY) REGULATIONS 2008.**
- **S.I. No. 299 of 2007**, Safety, Health and Welfare at Work (General Application) Regulations 2007 **(Ireland)**.
- **Health & Safety at Work, etc. Act 1974 (c.37) (UK)**.
- **EN ISO 14121-1: 2007** 'Safety of machinery. Principles for risk assessment'.
- **EN 745** - Agricultural Machinery - Rotary Mowers and Flail Mowers - Safety.
- **EN ISO 13857** - Safety of machinery: Safety distances to prevent hazard zones being reached by upper and lower limbs.

I certify on behalf of Major Equipment Int. Ltd., that this machine when properly installed and operated correctly, complies with all the essential Health & Safety requirements of all legislation referred to above.

Signature :



Managing Director

Date 12/01/2012

Introduction

Thank you

We appreciate having you as a customer and wish you many years of safe and satisfied use of your machine.

Using Your Operator's Manual

This manual is an important part of your machine and should remain with the machine when you buy it.

Reading your operator's manual will help you and others avoid personal injury or damage to the machine. Information given in this manual will provide the operator with the safest and most effective use of the machine.

Sections in your operator's manual are placed in a specific order to help you understand all the safety messages so you can operate this machine safely. You can also use this manual to answer any specific operating or servicing questions.

Safety Issues

Your manual contains special messages to bring attention to potential safety concerns, machine damage as well as helpful operating and servicing information. Please read all the information carefully to avoid injury and machine damage.

Product Identification

Machine Serial Numbers

If you need to contact MAJOR or your MAJOR dealer for information on servicing or spare parts, always provide the product model and serial numbers.

We suggest that you record your machine details below:

Model No: _____

Serial No: _____

Date of Purchase: _____

Dealer Name: _____

Dealer Telephone: _____

Product Specifications

Model	Working Width	Power (HP)	PTO rpm	Cutting Height	Rotors	Blades	Weight	Tyre Pressure	Gearbox oil
4200	1.35m	25-35	540	12 - 150mm	2	8	360kg	n/a	EP 90
6300	1.86m	25-50	540	12 - 150mm	3	3	450kg	2 bar	EP 90
8000	2.4m	30-60	540	12 - 100mm	2	8	650kg	n/a	EP 90
8400	2.3m	30-60	540	12 - 150mm	4	4	510kg	2 bar	EP 90
8400FL	2.3m	60-110	1000	12 - 150mm	4	8	550kg	n/a	EP 90
120003PTL	3.56m	45-130	540	12 - 150mm	4	16	1280kg	n/a	EP 90
12000	3.56m	50-130	540	12 - 150mm	4	16	1500kg	2 bar	EP 90
18000	5.4m	60-180	540	12 - 150mm	6	24	1890kg	2 bar	EP 90

Model	Working Width	Transport Width	Power (HP)	PTO rpm	Cutting Height	Rotors	Blades	Weight (Rear Mounted)	Weight (c.w frame)	Tyre Pressure	Gearbox oil
11000	3.2m	2375mm	35-80	540/1000	12 - 150mm	5	10	1030kg	1140kg	2 bar	EP 90
15000	4.6m	2375mm	40-80	540/1000	12 - 150mm	7	14	1280kg	1390kg	2 bar	EP 90

Register Your Product and Warranty Online

To register your product through the Internet, simply go to the Support section on www.major-equipment.com. Completing the information, either online or with the product warranty card, will ensure the customer that their product receives all post sales service and important product information.

Safety

Machine Safety Labels

The machine safety labels shown in this section are placed in important areas on your machine to draw attention to potential safety hazards.

On your machine safety labels, the words DANGER, WARNING, and CAUTION are used with this safety-alert symbol. DANGER identifies the most serious hazards.

The operator's manual also explains any potential safety hazards whenever necessary in special safety messages that are identified with the word, CAUTION, and the safety-alert symbol.



To prevent Serious Injury or Death

- Avoid unsafe operation or maintenance.
- Do not operate or work on this machine without reading and understanding the operator's manual.
- If manual is lost, contact your nearest dealer for a new manual.

To avoid injury, read the manual

Rotating blade hazard

ATTENTION
ENGINE FLIGHT/PIPING RESTRICTION IS LOCKED IN PLACE DURING BOTH MOWING AND TRANSPORT POSITION.

KEEP CLEAR WHEN RAISING & LOWERING HOES.

Moving parts hazard

Fold PTO stand down before removing transport pin, otherwise PTO shaft will be damaged!

Fold the PTO stand down before removing the transport pin to avoid PTO shaft damage

WARNING

DO NOT GO NEAR LEAKS

- High pressure oil easily punctures skin causing serious injury, gangrene or death.
- If injured, seek emergency medical help, immediate surgery is required to remove oil.
- Do not use finger or skin to check for leaks.
- Lower load or relieve hydraulic pressure before loosening fittings.

High oil pressure hazard

PTO entanglement hazard - keep clear of PTO drives.

IMPORTANT

P.T.O. SHAFT JOURNALS 'A' & 'B' MUST BE ALIGNED AT 90° WHEN P.T.O. SHAFTS ARE BEING FITTED.

CHECK BLADE TIMING IS CORRECT

Hazards associated with operating Grass Cutting Machinery

Shear Hazard

Shear hazards are created when the edges of two objects move toward or next to each other closely enough to cut relatively soft material. This can include the parts of the machine under hydraulic control when operating from transport to mowing position. Note the wing units are designed to float independently of the centre deck & are free to move within operating limits.

Crush Hazard

Bystanders can be injured when machine is lowered into mowing position. Winged Mowers have crush points around the hinge areas & between the wing & main body. Always use transport locking bars when not in use (winged models only).

Rotating Blade Hazard

All persons are at risk if they place their hands or feet under the machine when it is raised from the ground when the blades are in motion.

Pinch Hazard

Pinch points are created when two objects move together, with at least one of them moving in a circle. This hazard is common in power transmission devices such as Belt Drives, Gear Drives & Rollers. Ensure all guarding is present.

Wrap Hazard

Any exposed, rotating machine component is a potential wrap point. Injuries usually occur when loose clothing or long hair catch on and wrap around rotating parts such as PTO shafts or Drive shafts on the machine. Ensure all guarding is present.

Free-wheeling parts Hazard

The heavier a revolving part is, the longer it will continue to rotate after power is shut off. This characteristic is called 'free-wheeling.' Rotary mower blades, and various other components, drive shafts etc., will continue to move after power is shut off—often for several minutes. Injuries occur

- When operators shut off equipment, and attempt to clean or adjust a machine before components have completely stopped moving
- When shear bolt protection device in PTO shaft shears & the rotors are still spinning but the primary PTO shaft is stationary. Operator awareness is the key to safety around freewheeling parts. Never raise the machine while the blades are still rotating.

Thrown objects Hazard

Rollermowers throw material as a natural part of doing their job. Foreign objects, such as stones, sticks and other debris, may be taken into this equipment and expelled at tremendous speed. These objects are contained by the rear roller & the sides of the machine.

Bystanders or animals in the path of thrown objects could be seriously injured.. Never operate machine with decks raised from the ground as this makes the rear roller deflector redundant.

Hydraulic Hazard

Hydraulic systems store considerable energy,. Careless servicing, adjustment, or replacement of parts can result in serious injury. High pressure blasts of hydraulic oil can injure eyes or other body parts. The following precautions are crucial:

- Make certain the hydraulic pump is turned off.
- Lower attached equipment to the ground.
- Confirm that load pressure is off the system.

A pinhole leak in an hydraulic hose is a serious hazard. A leak may not be visible, and the only sign may be a few drops of fluid. Never inspect hydraulic hoses with your hands, because a fine jet of hydraulic fluid can pierce the skin.

Slips trips and falls Hazard

Slips and falls often result from:

1. Slippery footing on the ground
2. Cluttered steps and work platforms.

The potential for slips and falls can be greatly reduced by using good judgement and practicing good housekeeping on and around equipment.

Noise Hazard

Please note that the machine is normally used outdoors and that the position of the operator is seated in the driving seat of the tractor. It is advisable to consult the prescriptions listed in tractor operator and maintenance manuals. The acoustic pressure was measured at a distance of 2.6m from the centre of the machine and at a height of 2.0m, with the implement operating in a no load condition - 90 dBA. In a loaded condition & a PTO rate of 540 rpm the obtained value was 97dBA.

Operating Safely

The MAJOR Rollermower is designed to operate at 540 RPM. Ensure tractor PTO output is set at 540 RPM. The MAJOR Rollermower must only be used for cutting grass. Moreover, it must only be used with a suitable tractor (see product specifications) and driven by an adequate drive-line by the tractor PTO. All other use is strictly prohibited.

Users should become thoroughly familiar with the contents of this manual before using, servicing and mounting the implement to the tractor and all other pertinent operations. Never wear jewellery, loose clothing such as ties, scarves, belts, unbuttoned jackets or dungarees with open zips which could become caught up in moving parts.

Always wear approved garments complying with accident prevention provisions such as non-slip shoes, ear muffs, goggles and gauntlets. Wear a jacket with reflecting stickers if the implement is used near public highways.

Consult your retailer, the Labour Health Service or your nearest equivalent authority for the information about the current safety provisions and specific regulations with in order to ensure personal safety.

ALWAYS DISENGAGE PTO, SWITCH OFF THE TRACTOR ENGINE AND ENGAGE THE PARKING BRAKE BEFORE MAKING ADJUSTMENT TO THE MACHINE.



NEVER PLACE LIMBS UNDER THE MACHINE WHILE ROTORS ARE TURNING. ROTORS CAN REMAIN TURNING FOR UP TO 1 MINUTE AFTER DISENGAGING PTO.

Workstation

The operator must remain seated while working the machine. When the wings need to be raised and lowered the operator must leave the tractor. Always ensure the PTO has been turned off and the parking brake applied before leaving the tractor cab. The operator must always apply the parking brake, and turn off the engine before leaving machine or carrying out maintenance.



NEVER OPERATE THE HYDRAULICS WITH THE TRACTOR SWITCHED OFF

Regulations for use of the transmission

The transmission to the gearboxes is protected throughout the machine by both PTO shafts and bolt down covers. All guarding should be kept efficient and in good condition. If the condition is poor, the guarding should be renewed before the implement is used.



UNLESS IT IS CORRECTLY PROTECTED, THE TRANSMISSION COULD CAUSE DEATH SINCE IT CAN CATCH ON PARTS OF THE BODY OR CLOTHING

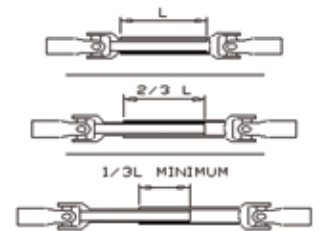
Ensure retaining chains are correctly anchored on all PTO shafts, preventing them from turning. Ensure drive line can turn easily within the shield. Keep spline grooves clean and greased so that PTO shaft can connect easily. Besides being described in this manual, the method by which the PTO shaft is connected to the tractor must be checked out with the instructions in the tractor manufacturer's manual.

PTO Shaft Safety



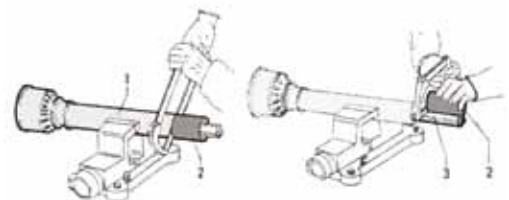
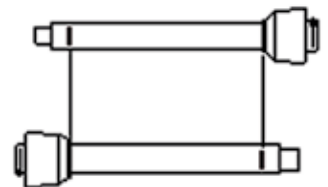
MAX PTO INPUT 540 R.P.M. Contact your nearest dealer or a specialised retail outlet if the PTO must be replaced with a longer one, since this must belong to the same power category and possess the same characteristics. An unsuitable PTO could easily break.

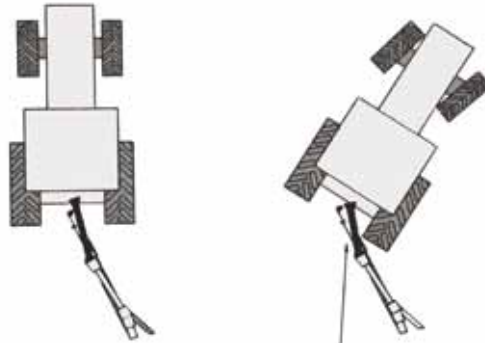
The tractor PTO shaft length may be altered to suit the individual tractor model. When the machine is in operation, the PTO shaft should have a minimum 1/3 engagement as shown in the diagrams. After the Rollermower has been hitched to the tractor, it should be checked in various positions that the drive line is the correct length. If the PTO is too short and tends to slip out of place, it must be replaced with a longer one.



If the PTO shaft is too long, it should be shortened in the following way:

- Set the machine at a minimum distance from the tractor, then brake the tractor and switch off the engine.
- Separate the two halves of the PTO. Insert the female part into the tractor PTO and the male part into the Rollermower PTO, checking that the position is correct by means of the fixing pins.
- Line up the two halves of the PTO together, keeping them parallel.
- Using a felt tip pen, match mark the place where the two halves must be shortened as shown.
- First cut shield "1" and use part "2" as a reference to cut the splined shaft.
- Proceed in the same way for the second half.
- Trim and chamfer the two cut ends of the PTO and clean off all swarf and shavings.
- Grease the two profiles and join the two halves of the PTO together.
- Mount the PTO shaft and check that its length is correct as before.





The shaft must not reach the end of the tube or project from this. Ensure the PTO does not bottom when turning

Driving Safely on Public Roads



Check the local Highway Code regulations before driving the tractor on public highways with a towed implement. Check the reflectors, hazard flashers and/or projecting load indicators are installed when required and efficient. These indicators must be installed correctly and easily seen by the drivers of other vehicles.

Bystanders must not be allowed to lean against or climb onto the machine during transport or while working. Do not allow bystanders to ride on the machine.

MAXIMUM TRANSPORT SPEED MUST NOT EXCEED 19Km/Hr (12 MPH)

Noise Levels:

The acoustic pressure was measured at a distance of 2.6m from the centre of the machine and at a height of 2.0m, with the implement operating in a no load condition - 90 dBA. In a loaded condition & a PTO rate of 700 rpm the obtained value was 97dBA. It is advisable to consult the prescriptions listed in tractor operator and maintenance manuals.

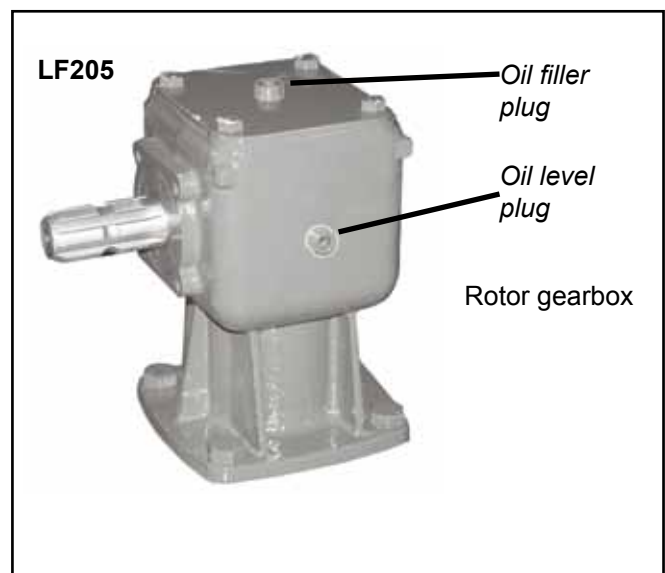
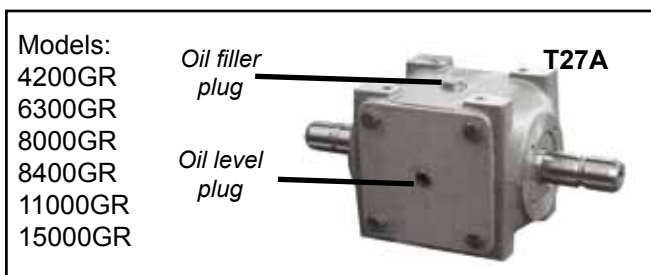
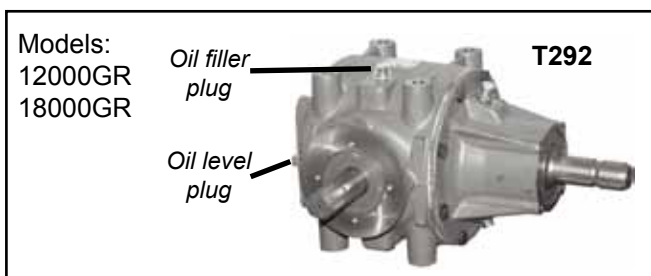
Operating the Machine

Inspections before Use

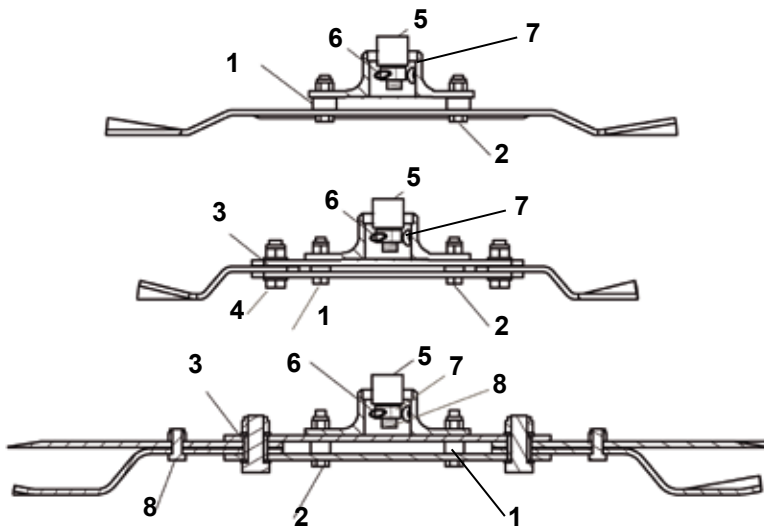


Always disengage PTO, Switch off tractor engine and engage the parking brake before making adjustment to the machine.

1. With the whole machine as level as possible, check the oil level in the Primary Gearbox, top up as required with SAE EP90 gear oil through the oil filler plug indicated. The correct level is at the oil level plug indicated. Check the oil level in the Rotor Gearboxes and top up as required with SAE EP 90 gear oil through the oil filler plugs indicated. The correct level is at the oil level plug indicated



2. Grease the PTO shaft universal joints, drive shaft bearing and carrying arm pivots.
3. Re-sharpen old blades with a grindstone if necessary. Replace bent blades with new ones.
4. Check the blade mounting bolts are tight

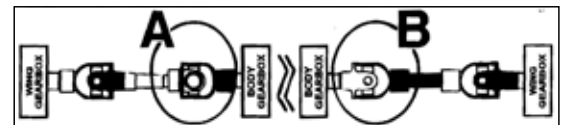


- 1 - Spacer bushings
- 2 - Blade mount bolts
- 3 - Blade pivot bush
- 4 - Blade pivot bolt
- 5 - Gearbox output shaft
- 6 - Split pin
- 7 - Retaining nut
- 8 - Bolt

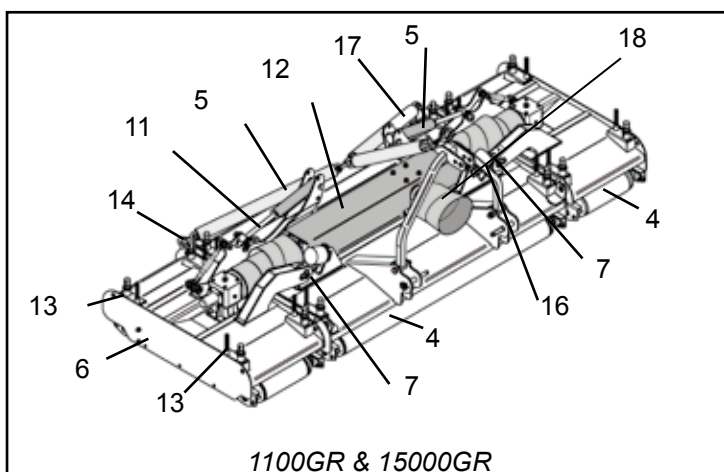
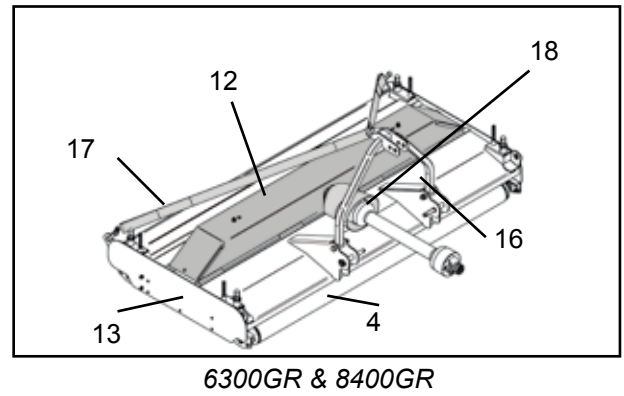
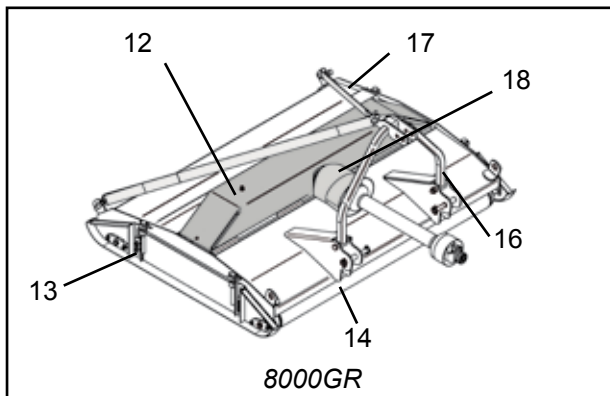
5. Ensure the gearbox shaft nuts are tight and retained in place by split pin.
6. Check tightness of all nuts, bolts and retaining screws after the first and second hours of work.
7. Ensure safety guards and flaps are in place at all times where fitted.
8. Due to the corrosive nature of grass when cut, wash down the machine when finished mowing, especially when the machine is being stored for a long period of time.



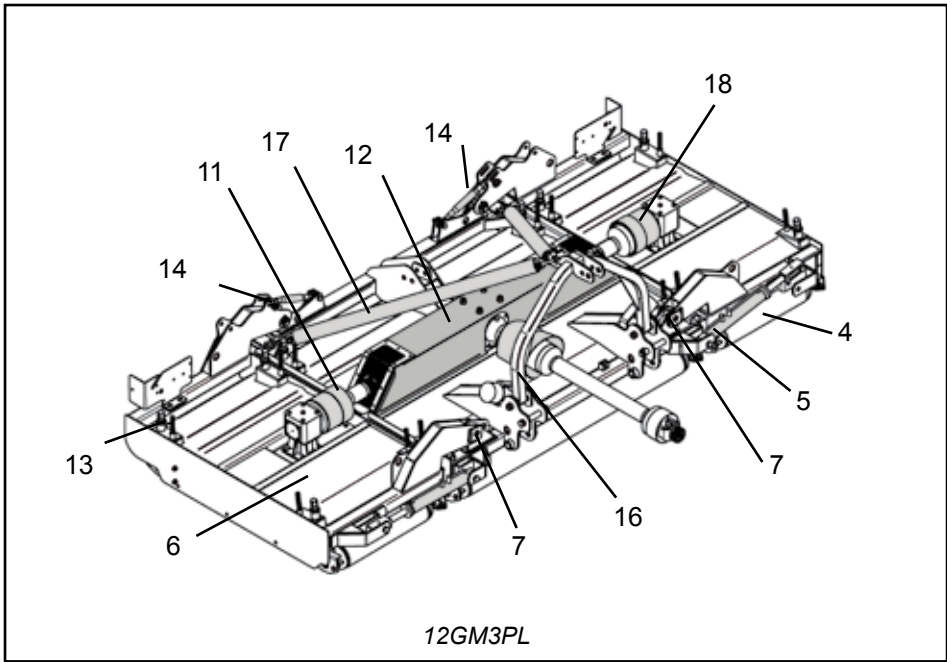
ENSURE THAT AFTER SERVICING THE TRANSMISSION, THAT THE WING PTO SHAFT YOKES ARE CORRECTLY ALIGNED AS SHOWN IN THE DIAGRAM BELOW – 12000, 17000 & 18000 MODELS ONLY. IF THE SHAFT JOURNALS ARE FITTED INCORRECTLY THE DAMAGE WILL ONLY OCCUR WHEN THE WINGS ARE RAISED INTO TRANSPORT POSITION



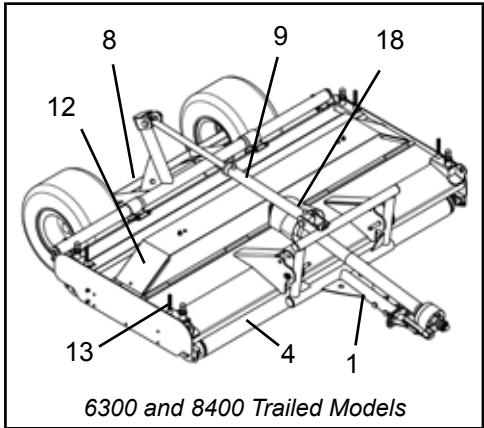
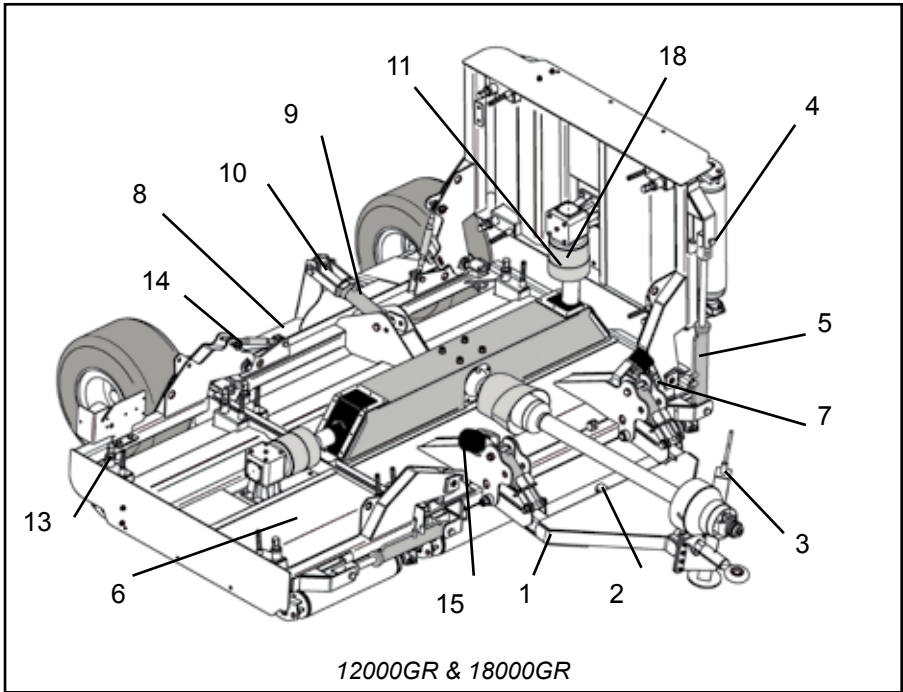
Key to Main Parts



No	Name	No	Name
1	Drawbar	10	Axle Ram Stopper
2	Jack - T/port Position	11	Wing PTO Shaft
3	Jack - Parking Position	12	Gearbox cover
4	Roller	13	Roller Adjuster & Guide
5	Wing Ram	14	Wing Transport Locking Bar
6	Wing	15	Drawbar Ram Stopper
7	Hinge	16	A-Frame
8	Axle	17	Strap
9	Axle Ram	18	PTO Cover



- | No | Name |
|----|----------------------------|
| 1 | Drawbar |
| 2 | Jack- Transport Position |
| 3 | Jack- Parking Position |
| 4 | Roller |
| 5 | Wing Ram |
| 6 | Wing |
| 7 | Hinge |
| 8 | Axle |
| 9 | Axle Ram |
| 10 | Axle Ram Stopper |
| 11 | Wing PTO Shaft |
| 12 | Gearbox cover |
| 13 | Roller Adjuster & Guide |
| 14 | Wing Transport Locking Bar |
| 15 | Drawbar Ram Stopper |
| 16 | A-Frame |
| 17 | Strap |
| 18 | PTO Cover |



Starting Regulations

Always check that any imminently dangerous conditions have been eliminated before using the machine. Ensure all guarding is present & the operator is fully aware of the operations of the machine



Always ensure the pins lock the PTO shaft yoke ends onto the spline shafts on both the tractor and the implement. An unlocked shaft could slip out of position, causing notable mechanical damage and serious injury to both operator and bystanders.

Hitching to the Tractor



ALWAYS OPERATE ON LEVEL GROUND WHEN HITCHING/UNHITCHING THE IMPLEMENT. THIS WILL PREVENT DANGEROUS MOVEMENT. NEVER ALLOW ANYONE TO STAND BETWEEN THE TRACTOR AND THE ROLLERMOWER.

Three Point Linkage Models

1. Adjust both lift arms of the tractor until they are level in relation to each other.
2. Hitch the lower linkage arms to the Rollermower and connect the top link and PTO shaft. Ensure that the locking pins are secure.
3. With the Rollermower lowered in its operating position, adjust the top link until the strap is slack, allowing the Rollermower to produce a uniform finish in varying ground conditions.
4. Connect the PTO shaft. Check for the length

Trailed Models

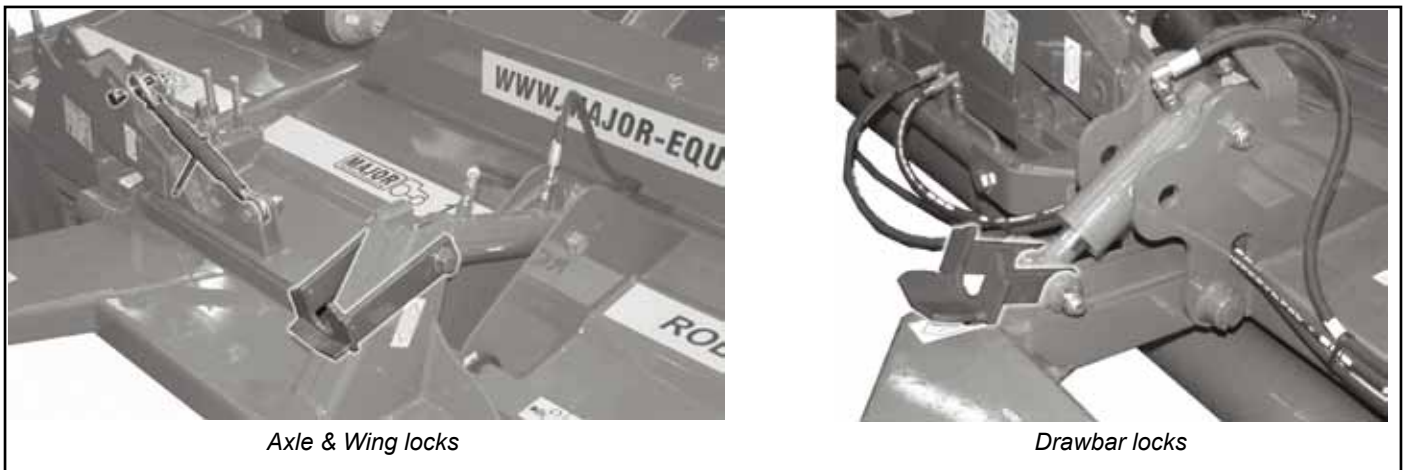
1. Adjust the tractor hitch pin so that the hitch pin is approximately 400 mm (16") from the end of the tractor PTO shaft.
2. Adjust the Rollermower hitch eye to suit the tractor drawbar height paying particular attention to keep both height adjusting bolts as far as possible on the adjusting bracket. Careful adjustment of the hitch eye height at this stage is necessary in order to allow the machine to function safely and correctly.
3. Connect the machine to the tractor. Ensure no one is standing between the tractor and the Rollermower.
4. Before connecting the PTO shaft to the tractor, check it for length as shown earlier.

Operating the Machine

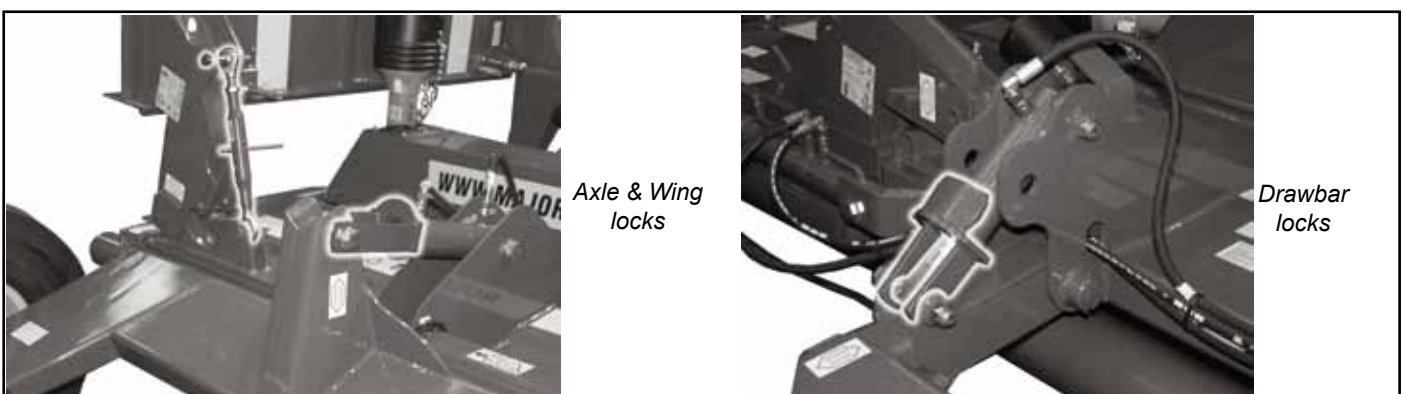
The MAJOR Rollermower is designed to operate at 540 RPM. Ensure tractor PTO output is set at 540 RPM.

1. Hitch the machine as outlined. Ensure bystanders are clear from the machine & cannot be hit with debris expelled from the machine.
2. Locate the Parking Jack on its side under the PTO shaft on the stub provided (Trailed models only)
3. Ensure the PTO stand is flipped down. (Trailed models only)
4. Check PTO shaft is fully engaged on tractor PTO splines.
5. Raise the machine by hydraulic control. (Trailed models only)
6. Flip back axle and drawbar ram stoppers. (Trailed models only)
7. Lower the machine by hydraulic control to the ground or use tractor linkage controls.
8. After clearing the vicinity of bystanders, relocate the Wing Transport Locking Bars. Lower the wings by hydraulic control. Ensure hydraulic ram is fully closed. (Winged mowers only)

12000 & 18000 Rollermower - Mowing Position



12000 & 18000 Rollermower - Transport Position



11000 & 15000 Rollermower - Mowing Position



11000 & 15000 Rollermower - Transport Position



ALWAYS HAVE THE TRACTOR SWITCHED ON WHEN RAISING THE WINGS INTO TRANSPORT POSITION.

IMPORTANT: The transport locking bars, transport pin and axle ram stopper should always be slotted into place while transporting the machine. Doing this removes pressure from the hydraulic system. Failure to use the safety equipment can cause mechanical as well as physical damage.

Adjusting the Rollers

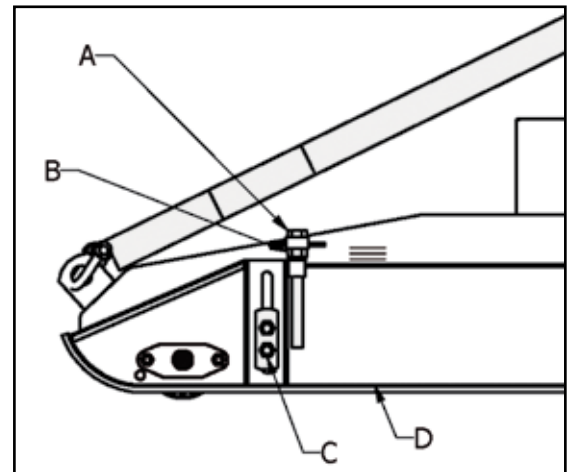
8000 Model

Set the required height of cut by:

- Slackening the four skid retaining bolts (C),
- Raising/lowering the body by the Height Adjusters (A) and
- Readjusting the four adjusting bolts (C).

Tightly close the lock nut (B) again to keep the rollers in this position.

Indicators are provided on both sides of the machine to allow the skids to be adjusted level from front to rear accurately.



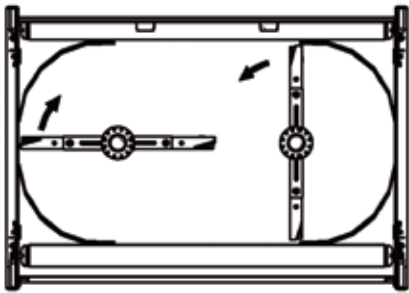
4200/ 6300 / 8400/ 11000 / 12000 / 15000 / 18000 Models

- Slacken the Height adjuster stop lock nuts (B) and
- Adjust the roller adjuster (A) to obtain the desired cutting height.
- Tightly close the lock nut (B) again to keep the rollers in this position.

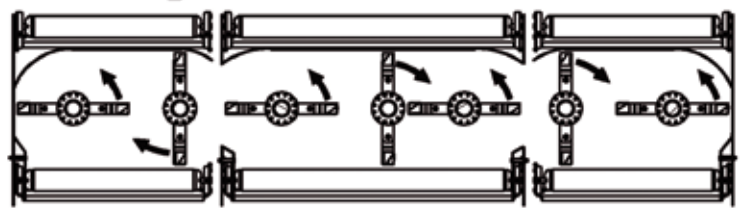


NOTE: IT IS IMPORTANT TO HAVE ROLLERS LEVEL AFTER SKID ADJUSTMENT

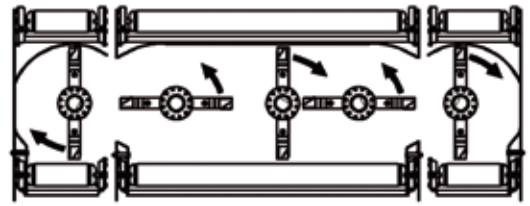
FRONT OF MACHINE



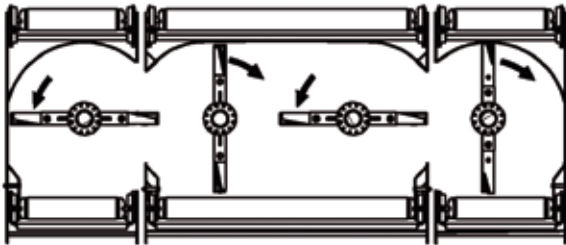
4200 and 8000



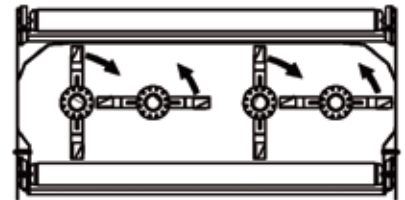
15000 RM



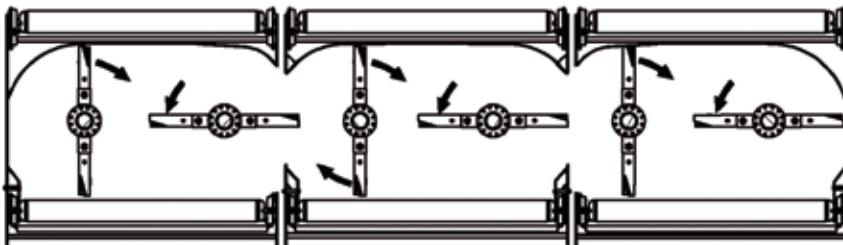
11000RM



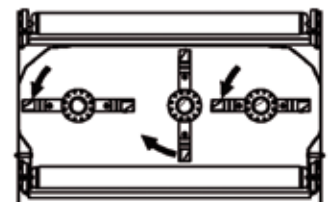
12000RM



8400RM



18000RM



6300 RM



Blades must always be timed at 90 degrees to each other as shown below. Failure to do so can cause the blades to foul and in turn may damage the transmission.

Blade Rotations

Maintenance

The Rollermower must always be disconnected from the tractor before any cleaning, lubricating and servicing operations can be carried out.

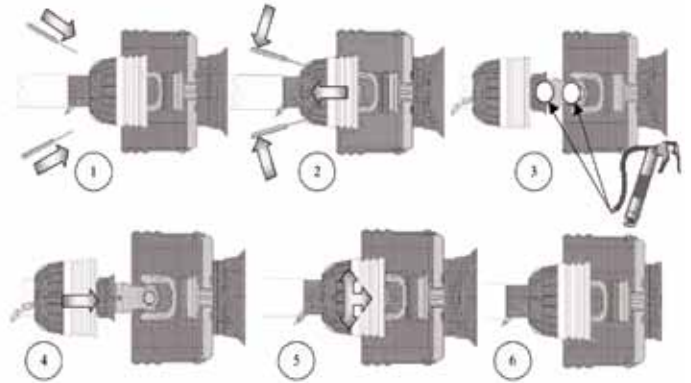
If emergency operations are required whilst the machine is connected to the tractor, switch off the engine, engage the parking brake and disengage the PTO.

Good, regular maintenance and correct use are if the Rollermower is to remain safe and long lasting.

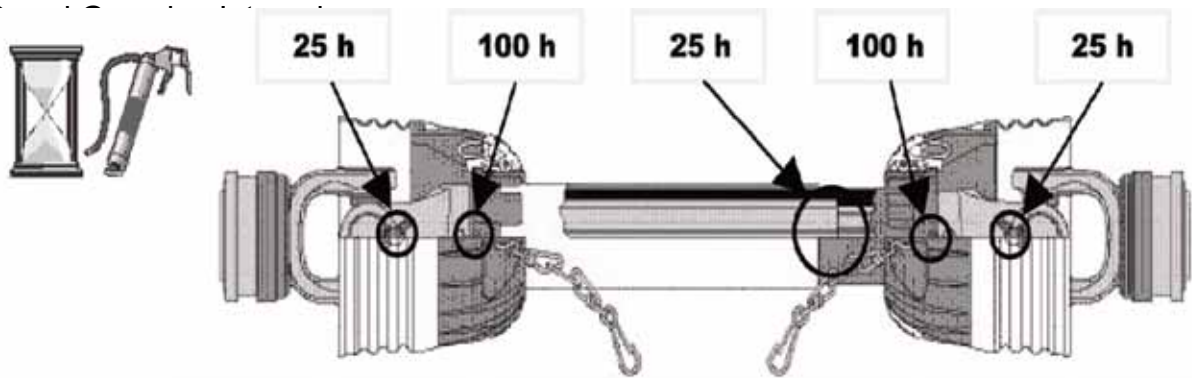
PTO Shaft Maintenance

Guard Removal and Yoke End Greasing

1. Prise back locking tabs
2. Pull back PTO Guard
3. Grease points as shown
4. Push Guard into position
5. Click into place
6. Tie check chain



PTO



Maintenance Schedule

	INITIALLY	8 HOURS	16 HOURS
PTO Shafts	●	●	
Axle Bushings	●	●	
Wing Hinge Plate	●	●	
Roller Height Adjusters	●		●

Grease the following:
Lubricate moveable mechanical joints when required.

All nuts and bolts in the transmission including Rubber couplings, Star Drives, PTO Shafts and Gearboxes should be checked for tightened after mowing at the following intervals.

1st 50 Acres

1st 100 Acres

1st 250 Acres

And every 250 acres thereafter.

NOTE: ENSURE BLADE ROTATION AND TIMING IS CORRECT AFTER SERVICING TRANSMISSION.

Trouble Shooting

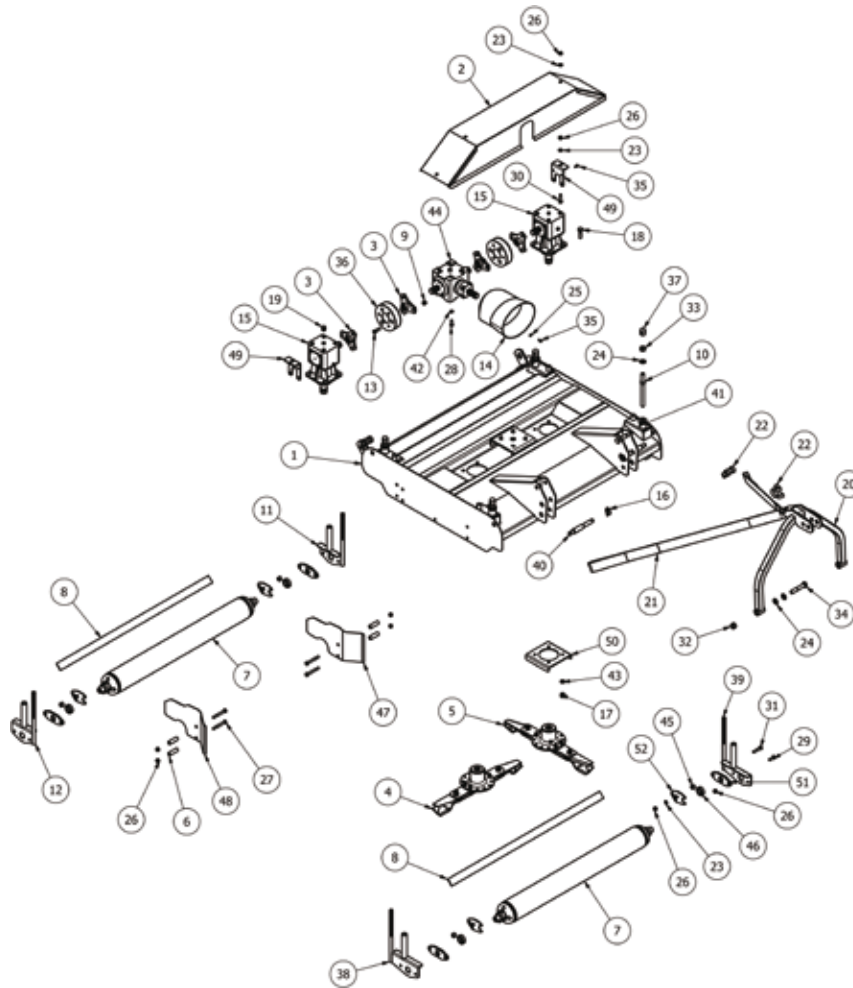
Fault	Cause	Remedy
Leaves a streak of uncut or partially cut grass	Blades dull or bent	Replace blades
	Carrier RPM too low	Use correct PTO speed
	Field conditions are so wet that the tractor tire is pushing grass into mud	Too wet to mow. Stop operation and wait until it is drier
	Ground speed too fast	Reduce ground speed by shifting to a lower gear
	Grass is down from previous weather conditions	Mow in only one direction
	Possible build-up materials under mower	Clean mower
	Blades mounted incorrectly (cutting edge against direction rotation)	Change blades so that cutting edge is facing correct rotation.
Material discharges from mower unevenly; bunches of material along with swath	Material too high and too much material	Reduce ground speed but maintain 540rpm at tractor PTO or make two passes over material. Raise mower for the first pass and lower to desired height for the second and cut a 90 degree angle to first pass
	Grass wet	Allow grass to dry before mowing. Slow ground speed of tractor but keep engine running at full PTO rpm. Cutting lower will help
Gearbox overheating	Low on lubricant	Fill to proper level
	Improper type lubricant	Replace with proper lubricant
	Excessive grass / debris build-up around gearbox. PTO running too fast.	Remove grass, etc from machine. Lower the RPM rate
Blade is scalping ground	Mower too low	Raise mower-reset wheels
	Field is ridged	Cut field at a different angle
	Field is too wet	Stop and wait until it is dried
Mower will not cut.	Shear bolt sheared	Install new shear bolt
Blades wear too fast	Cutting in sandy conditions	Increase cutting height
	Cutting in rocky conditions	Increase cutting height
	Blades hitting the ground	Increase cutting height
Mower seems to require excessive power	Advancing into grass too rapidly	Reduce forward travel speed
	Hitting ground	Raise mower and reset wheels
	Worn or dull blades	Sharpen or replace blades
	Tractor not large enough	Use larger horsepower tractor
Excessive vibration	Check gearbox bolts	Tighten if loose
	Check for loose nuts on blades	Tighten if loose
	Blade broken	Replace blades, in set
	New blade or bolts matched with worn blade or bolts	Replace blades or bolts in sets
	Drivelines not phased correctly. Implement and tractor yokes must be in line	Phase the driveline. Replace if necessary

Noisy machine	Worn bearing	Replace bearings
	Low oil in gearbox	Check level and add oil
	Loose Parts	Check all bolts are fully tightened
	Wrong PTO rpm rate	Check PTO rate & adjust as necessary
	Rotors bent / broken	Replace bent or missing blades
	Bent PTO shaft	Check PTO shafts are aligned correctly
		Check output shaft on gearboxes are not bent
		Check driveline between gearboxes is aligned.
Gearbox leaking	Damaged oil seal	Replace seal
	Bent shaft	Replace oil seal and shaft
	Shaft rough in oil seal area	Replace or repair shaft
	Oil seal installed incorrectly	Replace seal
	Oil seal not sealing in the housing	Replace seal or use a sealant on outside diameter of seal
	Oil level too high	Drain oil to proper level
	Hole in gearbox	Replace the gearbox
	Gasket damaged	Replace gasket
	Bolts loose	Tighten bolts

Spare Parts

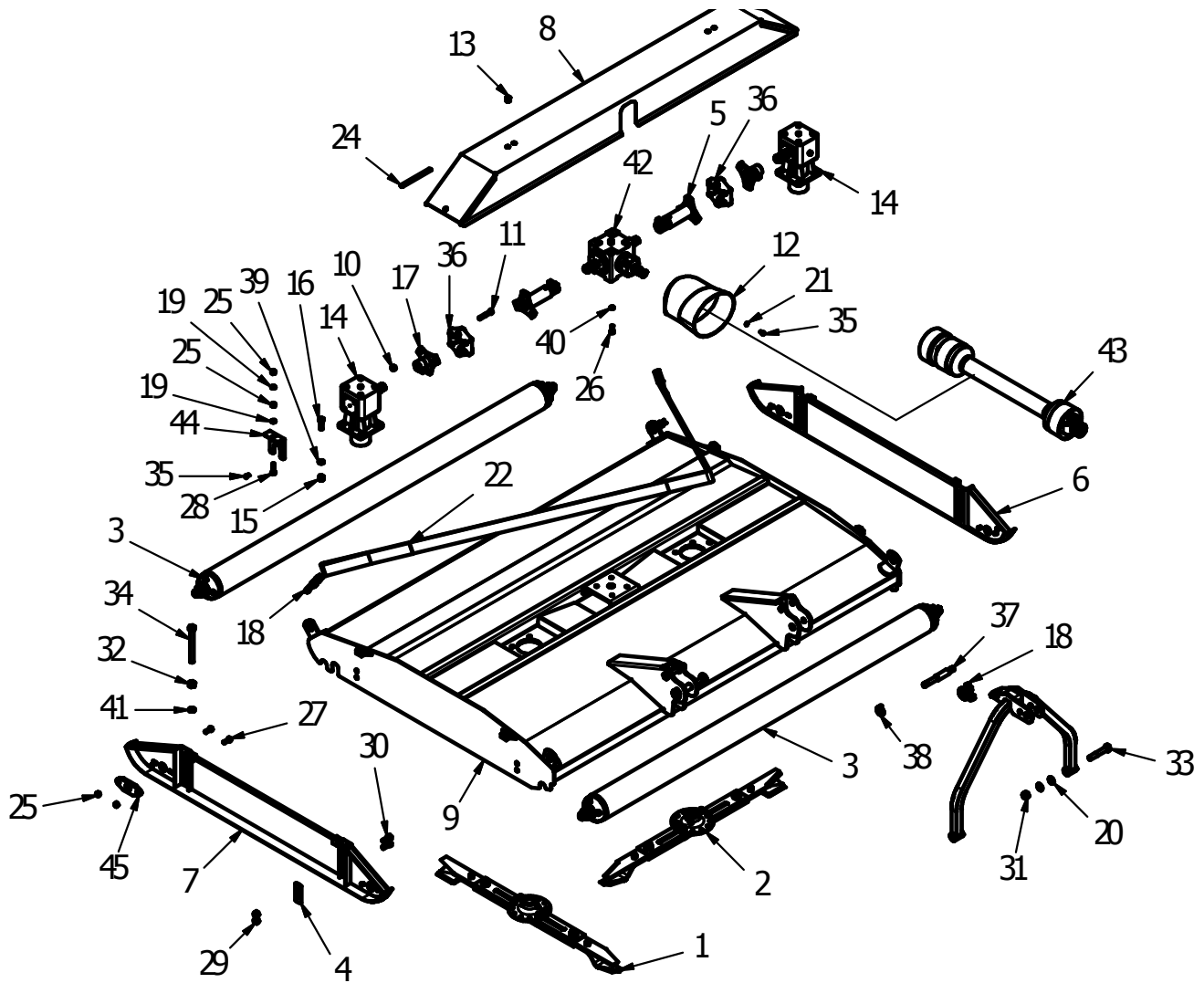
170914

4200GR Rollermower



Item	Part No	Description	Qty	Item	Part No	Description	Qty
1	4RM-BD001	4000 BODY	1	27	M12x100BZP	M12x100 BOLT	4
2	4RM-CV001	4000 GEARBOX COVER	1	28	M12x30SZP	M12x30 SET BOLT	4
3	4RM-SD1	4000 STAR DRIVE	4	29	M12x35BZP	M12x35 BOLT	4
4	725-SBLOL	725 SWING BLADE (Anti_Clk)	1	30	M12x50SZP	M12x50 SET BOLT	2
5	725-SBROL	725 SWING BLADE (Clk)	1	31	M12x60BZP	M12x60 BOLT	4
6	84RM-RDT	DEFLECTOR TUBE	4	32	M20	M20 NYLOC NUT	2
7	TDW-ROL	16ft TDR ROLLER	2	33	M20HEX	M20 PLAIN NUT	4
8	TDW-SB16	16ft SCRAPER	2	34	M20x110BZP	M20x110 BOLT	2
9	1/2F	1/2" FINE NYLOC NUT	12	35	M8x16SZP	M8x16 SET BOLT	8
10	12F-THRA	THREADED HEIGHT ADJUSTER	4	36	NT55A	RUBBER COUPLING	2
11	12GMRA2L	HEIGHT ADJUSTER (LH)	1	37	RM-M20C	ROLLER ADJUSTER CAP NUT	4
12	12GMRA2R	HEIGHT ADJUSTER (RH)	1	38	RMORA-1	OFFSET HEIGHT ADJUSTER (RH)	1
13	12x3FBZP	1/2"x3" FINE BOLT	12	39	RMORA-2	OFFSET HEIGHT ADJUSTER (LH)	1
14	190.000.545	PTO GUARD (EXTENDED OVAL)	1	40	S15707	CAT 1/2 LINK PIN	2
15	3546	LINCH PIN DIA 9.5	2	41	S849	GREASE NIPPLE M6 STR	4
16	205872	6 SPLINE "L" BOX RATIO 1.92	2	42	SW12	1/2" SPRING WASHER	4
17	5/8F	5/8" FINE NYLOC NUT	8	43	SW58	5/8" SPRING WASHER	8
18	58x214FBZP	5/8"x2 1/4" FINE BOLT	8	44	T27A267245	6 SPLINE "T" BOX RATIO 1.92	1
19	8-6-7-00161	3/8" VALVE BREATHER	2	45	12T-BBS	BLADE BACK SPACER	4
20	AF-CAT1	CAT 1 A-FRAME	1	46	RM-RSN3	SHAFT COLLAR DIA 35	4
21	BSW-STR	BUCKET STRAP (2800mm)	1	47	84RM-RD2	REAR DEFLECTOR (PLAIN)	1
22	EW29A	5/8" "D" SHACKLE	3	48	84RM-RD2H	REAR DEFLECTOR (PLAIN)	1
23	FWM12	M12 FLAT WASHER	8	49	9TGT-CB	GEARBOX COVER BRKT	2
24	FWM20	M20 FLAT WASHER	8	50	GM6-4F	GEARBOX REINF"	2
25	FWM8	M8 FLAT WASHER	4	51	RM-RSN2	ROLLER MOUNT	4
26	M12	M12 NYLOC NUT	16	52	RM-RSN4	SCRAPER MOUNT	4

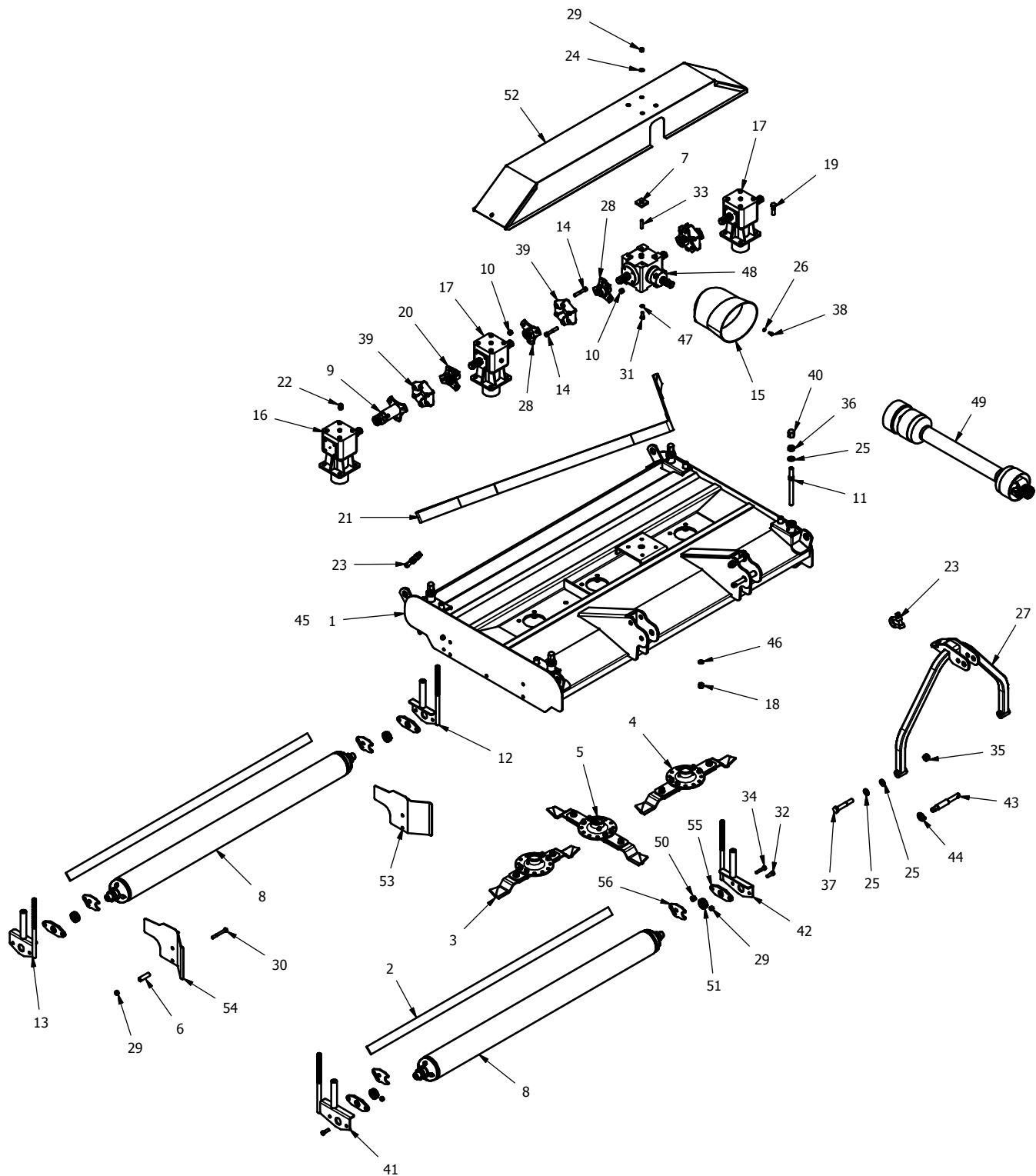
8000GR Rollermower



Item	Part No	Description	Qty
1	Pro Cut Blades	PRO BLADE Anti_Clk (see pg 34)	1
2	Pro Cut Blades	PRO BLADE Clk (see pg 34)	1
3	8GMR-1	8000 ROLLER	2
4	GM6-4P	SKID CLAMP PLATE	4
5	GM8-sd4	DRIVE TUBE (222mm)	2
6	GM84/L	8000 SKID (LH)	1
7	GM84/R	8000 SKID (RH)	1
8	GM84/COV	GEARBOX COVER	1
9	GM9	8000 BODY	1
10	1/2F	1/2" FINE NYLOC NUT	12
11	12x3FBZP	1/2"x3" FINE BOLT	12
12	190.000.545	PTO GUARD (EXTENDED OVAL)	1
13	199099	DIA 15-17mm INSERT	2
14	LF205	6 SPLINE "L" BOX RATIO 1.47	2
15	5/8F	5/8" FINE NYLOC NUT	8
16	58x2FBZP	5/8"x2" FINE BOLT	8
17	8sm18	6 SPLINE STAR DRIVE	2
18	EW29A	5/8" "D" SHACKLE	3
19	FWM12	M12 FLAT WASHER	4
20	FWM20	M20 FLAT WASHER	4
21	FWM8	M8 FLAT WASHER	4
22	8GMSTRP	8000 RM STRAP (3930mm)	1
23	GM2	STANDARD A-FRAME	1

Item	Part No	Description	Qty
24	LS002	ANTI VIBRATION RUBBER	7
25	M12	M12 NYLOC NUT	12
26	M12x30SZP	M12x30 SET BOLT	4
27	M12x35BZP	M12x35 BOLT	8
28	M12x50SZP	M12x50 SET BOLT	2
29	M16	M16 NYLOC NUT	8
30	M16x40SZP	M16x40 SET BOLT	8
31	M20	M20 NYLOC NUT	2
32	M20HEX	M20 PLAIN NUT	4
33	M20x120BZP	M20x120 BOLT	2
34	M20x200SZP	M20x200 SET BOLT	4
35	M8x16SZP	M8x16 SET BOLT	8
36	NT55A	RUBBER COUPLING	2
37	S15707	CAT 1/2 LINK PIN	2
38	3546	LINCH PIN DIA 9.5	4
39	SW58	5/8" SPRING WASHER	8
40	SWM12	M12 SPRING WASHER	4
41	SWM20	M20 SPRING WASHER	4
42	T27A	6 SPLINE "T" BOX RATIO 1.92	1
43	T500810ENC12RW6	FIXED SLIP CLUTCH 1200 Nm	1
44	9TGT-CB	GEARBOX COVER BRKT	2
45	RM-RSN28	8000 ROLLER MOUNT	4

6300GR Rollermower



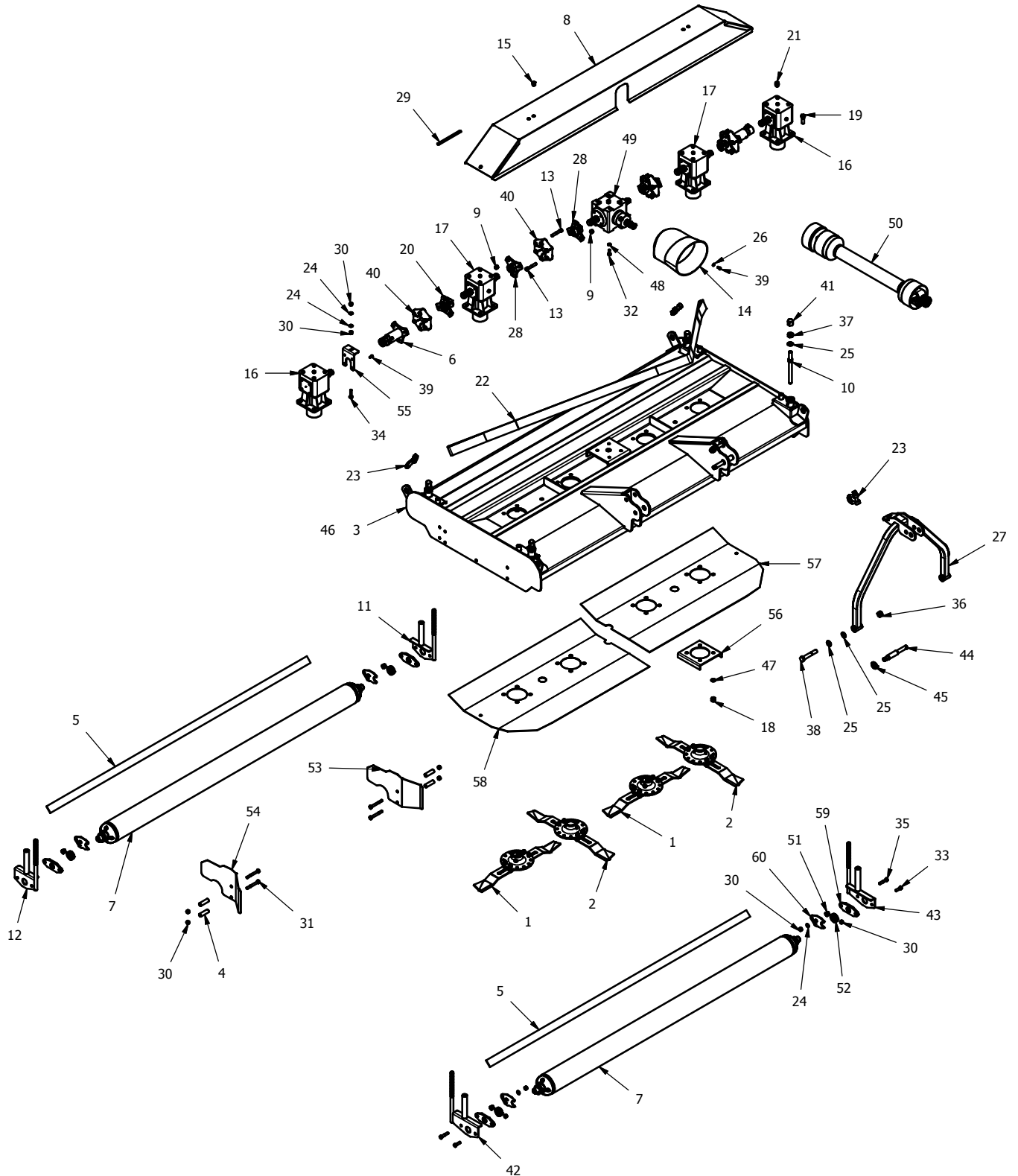
Item	Part No	Description	Qty
1	63RM-FAB	6300 BODY	1
2	63RM-SB1	6300 SCRAPER	2
3	Swing Blade	640 SWING BLADE (Anti_Clk)	1
4	Swing Blade	725 SWING BLADE (Anti_Clk)	1
5	Swing Blade	725 SWING BLADE (Clk)	1
6	84RM-RDT	DEFLECTOR TUBE	4
7	GM12-A	GUARD MOUNT BUFFER	4
8	GM63-ROL	6300 ROLLER	2
9	GM84-55L	8400 DRIVE TUBE (LONG)	1
10	1/2F	1/2" FINE NYLOC NUT	18

Item	Part No	Description	Qty
11	12FTHRAS	THREADED HEIGHT ADJUSTER	4
12	12GMRA2L	HEIGHT ADJUSTER (LH)	1
13	12GMRA2R	HEIGHT ADJUSTER (RH)	1
14	12x3FSKS	1/2"x3" FINE SOCKET HEAD 12.9	18
15	190.000.545	PTO GUARD (EXTENDED OVAL)	1
16	LF205H	6 SPLINE "L" BOX RATIO 1.92	1
17	LF205TH	6 SPLINE "T" BOX RATIO 1.92	2
18	58F	5/8" FINE NYLOC NUT	12

6300GR Rollermower - Parts Listing

Item	Part No	Description	Qty
19	58x214FBZP	5/8"x2 1/4" FINE BOLT	12
20	60CSD	60mm STAR DRIVE	1
21	6300STR	6300 RM STRAP (3076mm)	1
22	8-6-7-00161	3/8" VALVE BREATHER	4
23	EW29A	5/8" "D" SHACKLE	3
24	FWM12	M12 FLAT WASHER	4
25	FWM20	M20 FLAT WASHER	8
26	FWM8	M8 FLAT WASHER	4
27	GM2	STANDARD A-FRAME	1
28	GM84DRV	6 SPLINE STAR DRIVE	4
29	M12	M12 NYLOC NUT	16
30	M12x100BZP	M12x100 BOLT	4
31	M12x30SZP	M12x30 SET BOLT	4
32	M12x40BZP	M12x40 BOLT	4
33	M12x50SB	M12x50mm STUD	4
34	M12x60BZP	M12x60 BOLT	4
35	M20	M20 NYLOC NUT	2
36	M20HEX	M20 PLAIN NUT	4
37	M20x120BZP	M20x120 BOLT	2
38	M8x16SZP	M8x16 SET BOLT	4
39	NT55A	RUBBER COUPLING	3
40	RM-M20C	ROLLER ADJUSTER CAP NUT	4
41	RMORA-1	OFFSET HEIGHT ADJUSTER (RH)	1
42	RMORA-2	OFFSET HEIGHT ADJUSTER (LH)	1
43	S15707	CAT 1/2 LINK PIN	2
44	3546	LINCH PIN DIA 9.5	2
45	849	GREASE NIPPLE M6 STR	4
46	SW58	5/8" SPRING WASHER	12
47	SWM12	M12 SPRING WASHER	4
48	T27A	6 SPLINE "T" BOX RATIO 1.92	1
49	T500810ENC12RW6	FIXED SLIP CLUTCH 1200 Nm	1
50	12T-BBS	BLADE BACK SPACER	4
51	RM-RSN3	SHAFT COLLAR DIA 35	4
52	63GM-CVR1	6300 BODY COVER	1
53	84RM-RD2	REAR DEFLECTOR (PLAIN)	1
54	84RM-RD2H	REAR DEFLECTOR (PLAIN)	1
55	RM-RSN2	ROLLER MOUNT	4
56	RM-RSN4	SCRAPER MOUNT	4

8400GR Rollermower

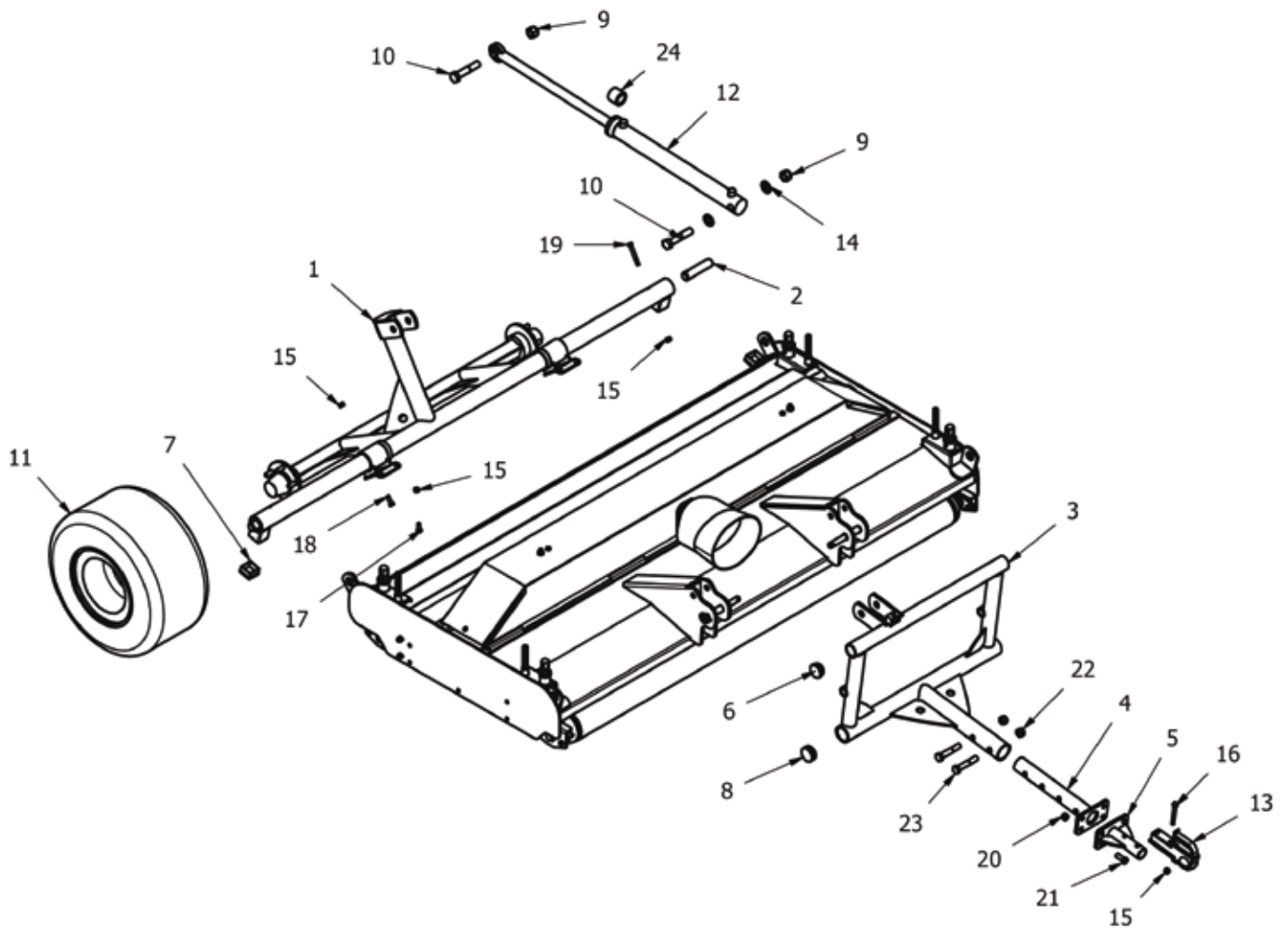


Item	Part No	Description	Qty
1	Swinging Blades	Anti Clockwise - see pg 38	2
2	Swinging Blades	Clockwise - see pg 38	2
3	84RM-FAB	8400 BODY	1
4	84RM-RDT	DEFLECTOR TUBE	4
5	84RM-SB1	8400 SCRAPER	2
6	GM84-55L	8400 DRIVE TUBE (LONG)	2
7	GM84-ROL	8400 ROLLER	2
8	GM84/COV	GEARBOX COVER	1
9	1/2F	1/2" FINE NYLOC NUT	24

8400GR Rollermower - Parts Listing

Item	Part No	Description	Qty
10	12FTHRAS	THREADED HEIGHT ADJUSTER	4
11	12GMRA2L	HEIGHT ADJUSTER (LH)	1
12	12GMRA2R	HEIGHT ADJUSTER (RH)	1
13	12x3FSKS	1/2"x3" FINE SOCKET HEAD 12.9	24
14	190.000.545	PTO GUARD (EXTENDED OVAL)	1
15	199099	DIA 15-17mm INSERT	2
16	LF205H	6 SPLINE "L" BOX RATIO 1.92	2
17	LF205TH	6 SPLINE "T" BOX RATIO 1.92	2
18	5/8F	5/8" FINE NYLOC NUT	16
19	58x2FBZP	5/8"x2" FINE BOLT	16
20	60CSD	60mm STAR DRIVE	2
21	8-6-7-00161	3/8" VALVE BREATHER	5
22	8GMSTRP	8400 RM STRAP (3530mm)	1
23	EW29A	5/8" "D" SHACKLE	3
24	FWM12	M12 FLAT WASHER	8
25	FWM20	M20 FLAT WASHER	8
26	FWM8	M8 FLAT WASHER	4
27	GM2	STANDARD A-FRAME	1
28	GM84DRV	6 SPLINE STAR DRIVE	4
29	LS002	ANTI VIBRATION RUBBER	7
30	M12	M12 NYLOC NUT	16
31	M12x100BZP	M12x100 BOLT	4
32	M12x30SZP	M12x30 SET BOLT	4
33	M12x40BZP	M12x40 BOLT	4
34	M12x50SZP	M12x50 SET BOLT	2
35	M12x60BZP	M12x60 BOLT	4
36	M20	M20 NYLOC NUT	2
37	M20HEX	M20 PLAIN NUT	4
38	M20x120BZP	M20x120 BOLT	2
39	M8x16SZP	M8x16 SET BOLT	8
40	NT55A	RUBBER COUPLING	4
41	RM-M20C	ROLLER ADJUSTER CAP NUT	4
42	RMORA-1	OFFSET HEIGHT ADJUSTER (RH)	1
43	RMORA-2	OFFSET HEIGHT ADJUSTER (LH)	1
44	S15707	CAT 1/2 LINK PIN	2
45	3546	LINCH PIN DIA 9.5	2
46	849	GREASE NIPPLE M6 STR	4
47	SW58	5/8" SPRING WASHER	16
48	SWM12	M12 SPRING WASHER	4
49	T27A	6 SPLINE "T" BOX RATIO 1.92	1
50	T500810ENC12RW6	FIXED SLIP CLUTCH 1200 Nm	1
51	12T-BBS	BLADE BACK SPACER	4
52	RM-RSN3	SHAFT COLLAR DIA 35	4
53	84RM-RD1	REAR DEFLECTOR	1
54	84RM-RD1H	REAR DEFLECTOR	1
55	9TGT-CB	GEARBOX COVER BRKT	2
56	GM6-4F	GEARBOX REINF"	4
57	GM84-USC	UNDERSIDE COVER	1
58	GM84-USCH	UNDERSIDE COVER	1
59	RM-RSN2	ROLLER MOUNT	4
60	RM-RSN4	SCRAPER MOUNT	4

6300GR and 8400GR Trailed Rollermower

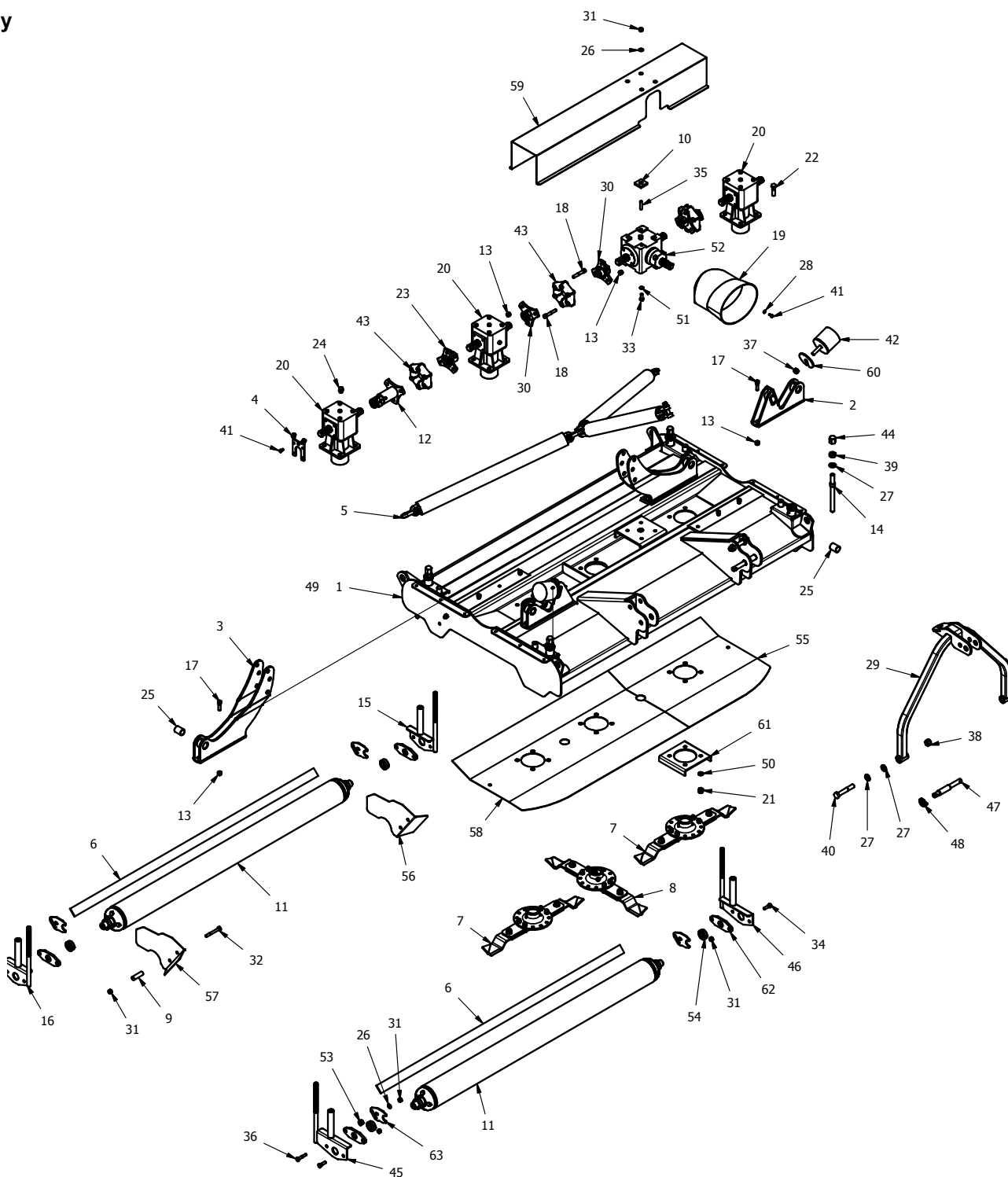


Item	Part No	Description	Qty
1	84RM-ADAX01	8400 AXLE	1
2	84RM-ADAX20	AXLE PIVOT PIN	2
3	84RM-ADDB01	8400 DRAWBAR	1
4	84RM-ADHT01	8400 HITCH	1
5	84RM-ADHT10	8400 COUPLING MOUNT	1
6	111070	DIA 50.5-54mm INSERT	2
7	199211	SQ 52-54mm INSERT (POL)	2
8	199269	DIA 57.5-61.5mm INSERT	2
9	1F	1" FINE NYLOC NUT	2
10	1x5FBZP	1"x5" FINE BOLT	2
11	26120012	DIA 650x320mm	2
12	AGI2RAM_B	AGITATOR RAM	1

Item	Part No	Description	Qty
13	BD16-2NH-50	50mm BALL HITCH	1
14	FW1	DIA 1" FLAT WASHER	2
15	M12	M12 NYLOC NUT	10
16	M12x100BZP	M12x100 BOLT	2
17	M12x30SZP	M12x30 SET BOLT	4
18	M12x35BZP	M12x35 BOLT	2
19	M12x90BZP	M12x90 BOLT	2
20	M16	M16 NYLOC NUT	4
21	M16x40SZP	M16x40 SET BOLT	4
22	M20	M20 NYLOC NUT	2
23	M20x110BZP	M20x110 BOLT	2
24	84RM-ADAX25	RAM SPACER BUSH	1

11000GR & 15000GR Rollermower

Body

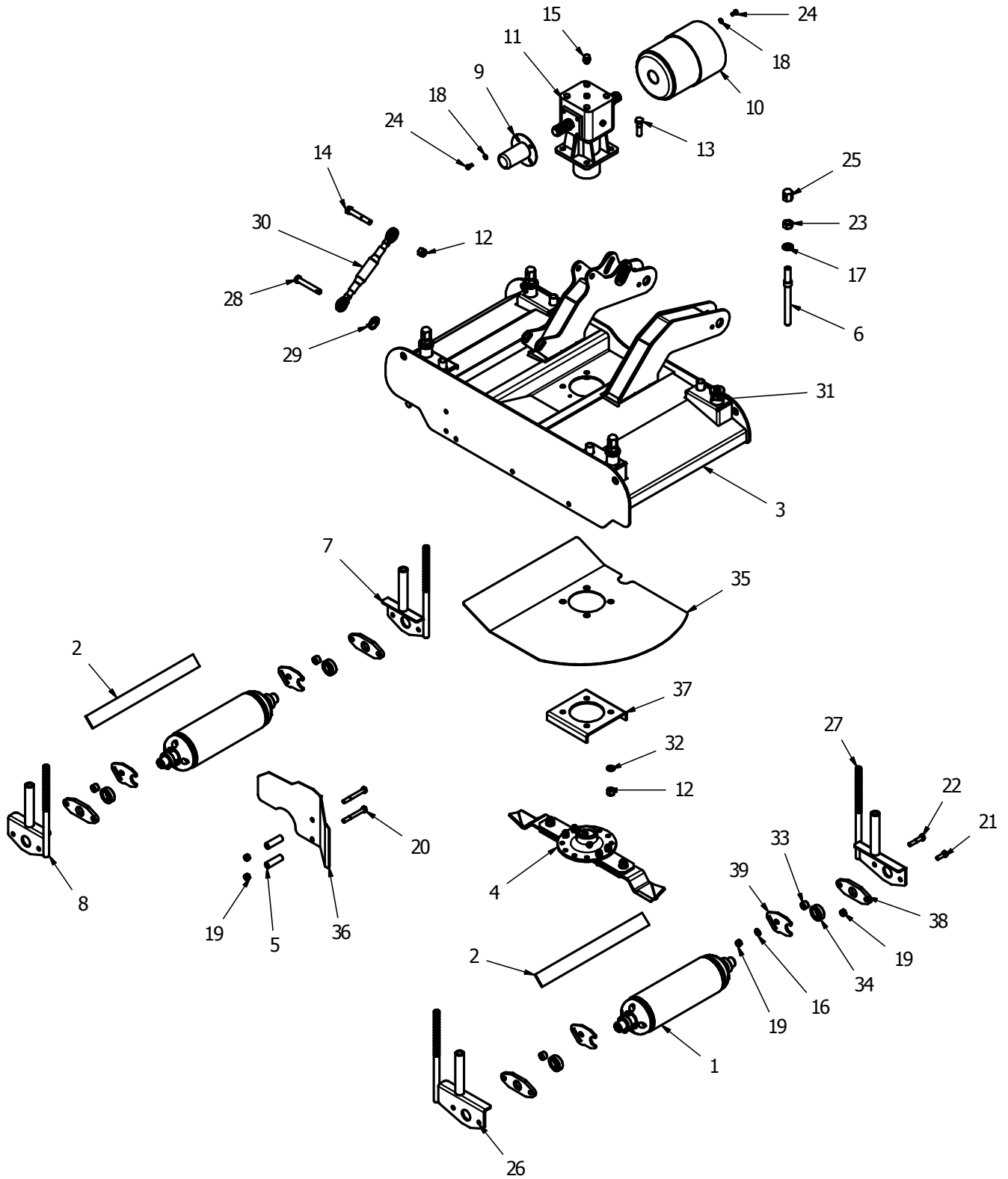


Item	Part No	Description	Qty
1	11RM-B001	11000 RM BODY	1
2	11RM-BP01	BODY PIVOT (FRONT)	2
3	11RM-BP20	BODY PIVOT (REAR)	2
4	11RM-C11	COVER PIVOT	2
5	11RM-STRAP01	11000 CHAIN SLING	1
6	63RM-SB1	6300 SCRAPER	2
7	Swinging Blades	Anti Clockwise - see pg 38	2
8	Swinging Blades	Clockwise - see pg 38	1
9	84RM-RDT	DEFLECTOR TUBE	4
10	GM12/A	GUARD MOUNT BUFFER	4
11	GM63-ROL	6300 ROLLER	2

1100GR & 1500GR Rollermower - Body

Item	Part No	Description	Qty
12	GM84-55L	8400 DRIVE TUBE (LONG)	1
13	1/2F	1/2" FINE NYLOC NUT	30
14	12FTHRAS	THREADED HEIGHT ADJUSTER	4
15	12GMRA2L	HEIGHT ADJUSTER (LH)	1
16	12GMRA2R	HEIGHT ADJUSTER (RH)	1
17	12x134FSKZP	1/2"x1 3/4" FINE SOCKET HEAD 12.9	12
18	12x3FSKS	1/2"x3" FINE SOCKET HEAD 12.9	18
19	190.000.545	PTO GUARD (EXTENDED OVAL)	1
20	LF205TH	6 SPLINE "T" BOX RATIO 1.92	3
21	5/8F	5/8" FINE NYLOC NUT	12
22	58x214FBZP	5/8"x2 1/4" FINE BOLT	12
23	60CSD	60mm STAR DRIVE	1
24	8-6-7-00161	3/8" VALVE BREATHER	4
25	8SM14	DIA 1 1/4" BUSHx1 3/4"	4
26	FWM12	M12 FLAT WASHER	8
27	FWM20	M20 FLAT WASHER	8
28	FWM8	M8 FLAT WASHER	4
29	GM2	STANDARD A-FRAME	1
30	GM84DRV	6 SPLINE STAR DRIVE	4
31	M12	M12 NYLOC NUT	16
32	M12x100BZP	M12x100 BOLT	4
33	M12x30SZP	M12x30 SET BOLT	4
34	M12x40BZP	M12x40 BOLT	4
35	M12x50SB	M12x50mm STUD	4
36	M12x60BZP	M12x60 BOLT	4
37	M16	M16 NYLOC NUT	2
38	M20	M20 NYLOC NUT	2
39	M20HEX	M20 PLAIN NUT	4
40	M20x120BZP	M20x120 BOLT	2
41	M8x16SZP	M8x16 SET BOLT	8
42	MOT10	DIA 105x100 BUFFER	2
43	NT55A	RUBBER COUPLING	3
44	RM-M20C	ROLLER ADJUSTER CAP NUT	4
45	RMORA-1	OFFSET HEIGHT ADJUSTER (RH)	1
46	RMORA-2	OFFSET HEIGHT ADJUSTER (LH)	1
47	S15707	CAT 1/2 LINK PIN	2
48	3546	LINCH PIN DIA 9.5	2
49	849	GREASE NIPPLE M6 STR	4
50	SW58	5/8" SPRING WASHER	12
51	SWM12	M12 SPRING WASHER	4
52	T27A	6 SPLINE "T" BOX RATIO 1.92	1
53	12T-BBS	BLADE BACK SPACER	4
54	RM-RSN3	SHAFT COLLAR DIA 35	4
55	11RM-BDFL01	UNDERSIDE COVER	1
56	11RM-BDFL02	REAR DEFLECTOR	1
57	11RM-BDFL02H	REAR DEFLECTOR	1
58	11RM-BDFL03	UNDERSIDE COVER	1
59	11RM-C02	11000 BODY COVER	1
60	8T19	BUFFER SPACER	2
61	GM6-4F	GEARBOX REINF"	3
62	RM-RSN2	ROLLER MOUNT	4
63	RM-RSN4	SCRAPER MOUNT	4

1100GR Rollermower - Wing

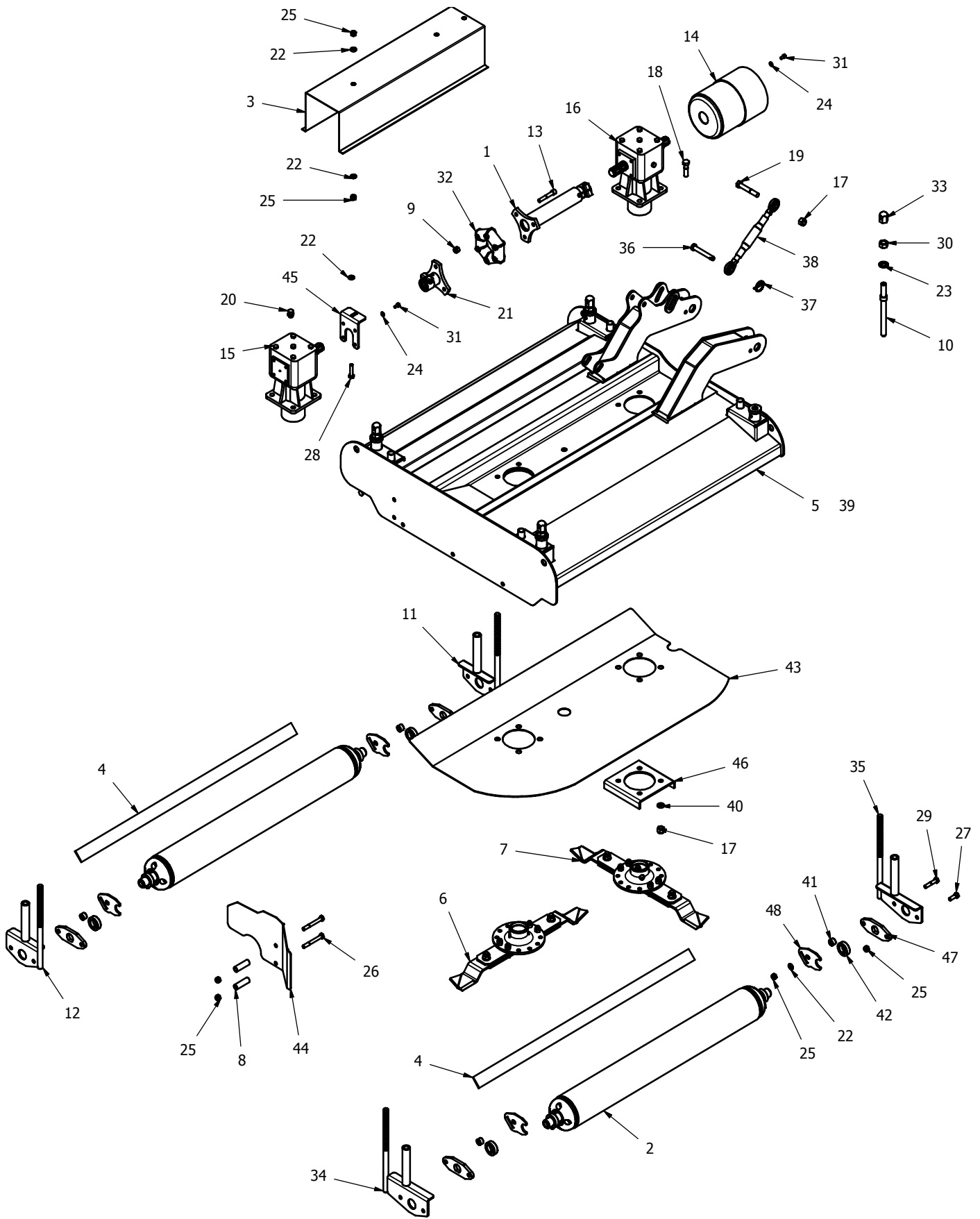


Item	Part No	Description	Qty
1	11GMROLW	11000 RM WING ROLLER	2
2	11RM-SBW01	11000 WING SCRAPER	2
3	11RM-W001	11000 WING (RH)	1
4	Swinging Blade	Clockwise - see pg 38	1
5	84RM-RDT	DEFLECTOR TUBE	2
6	12FTHRAS	THREADED HEIGHT ADJUSTER	4
7	12GMRA2L	HEIGHT ADJUSTER (LH)	1
8	12GMRA2R	HEIGHT ADJUSTER (RH)	1
9	190000592	PTO HAT	1

1100GR - Wing - Parts

Item	Part No	Description	Qty
10	190000760	GUARD (COVER 760/BASE 661)	1
11	LF205TH	6 SPLINE "T" BOX RATIO 1.92	1
12	5/8F	5/8" FINE NYLOC NUT	5
13	58x214FBZP	5/8"x2 1/4" FINE BOLT	4
14	58x4FBZP	5/8"x4" FINE BOLT	1
15	8-6-7-00161	3/8" VALVE BREATHER	1
16	FWM12	M12 FLAT WASHER	4
17	FWM20	M20 FLAT WASHER	4
18	FWM8	M8 FLAT WASHER	4
19	M12	M12 NYLOC NUT	10
20	M12x100BZP	M12x100 BOLT	2
21	M12x35BZP	M12x35 BOLT	4
22	M12x60BZP	M12x60 BOLT	4
23	M20HEX	M20 PLAIN NUT	4
24	M8x16SZP	M8x16 SET BOLT	4
25	RM-M20C	ROLLER ADJUSTER CAP NUT	4
26	RMORA-1	OFFSET HEIGHT ADJUSTER (RH)	1
27	RMORA-2	OFFSET HEIGHT ADJUSTER (LH)	1
28	15501	CAT 0 PIN DIA 16x97mm	1
29	37	LINCH PIN DIA 6	1
30	4418	CAT 0 TOP LINK	1
31	849	GREASE NIPPLE M6 STR	4
32	SW58	5/8" SPRING WASHER	4
33	12T-BBS	BLADE BACK SPACER	4
34	RM-RSN3	SHAFT COLLAR DIA 35	4
35	11RM-WDFL01	11ft WING UNDERSIDE COVER	1
36	84RM-RD1H	REAR DEFLECTOR	1
37	GM6-4F	GEARBOX REINF"	1
38	RM-RSN2	ROLLER MOUNT	4
39	RM-RSN4	SCRAPER MOUNT	4

1500GR Rollermower - Wing



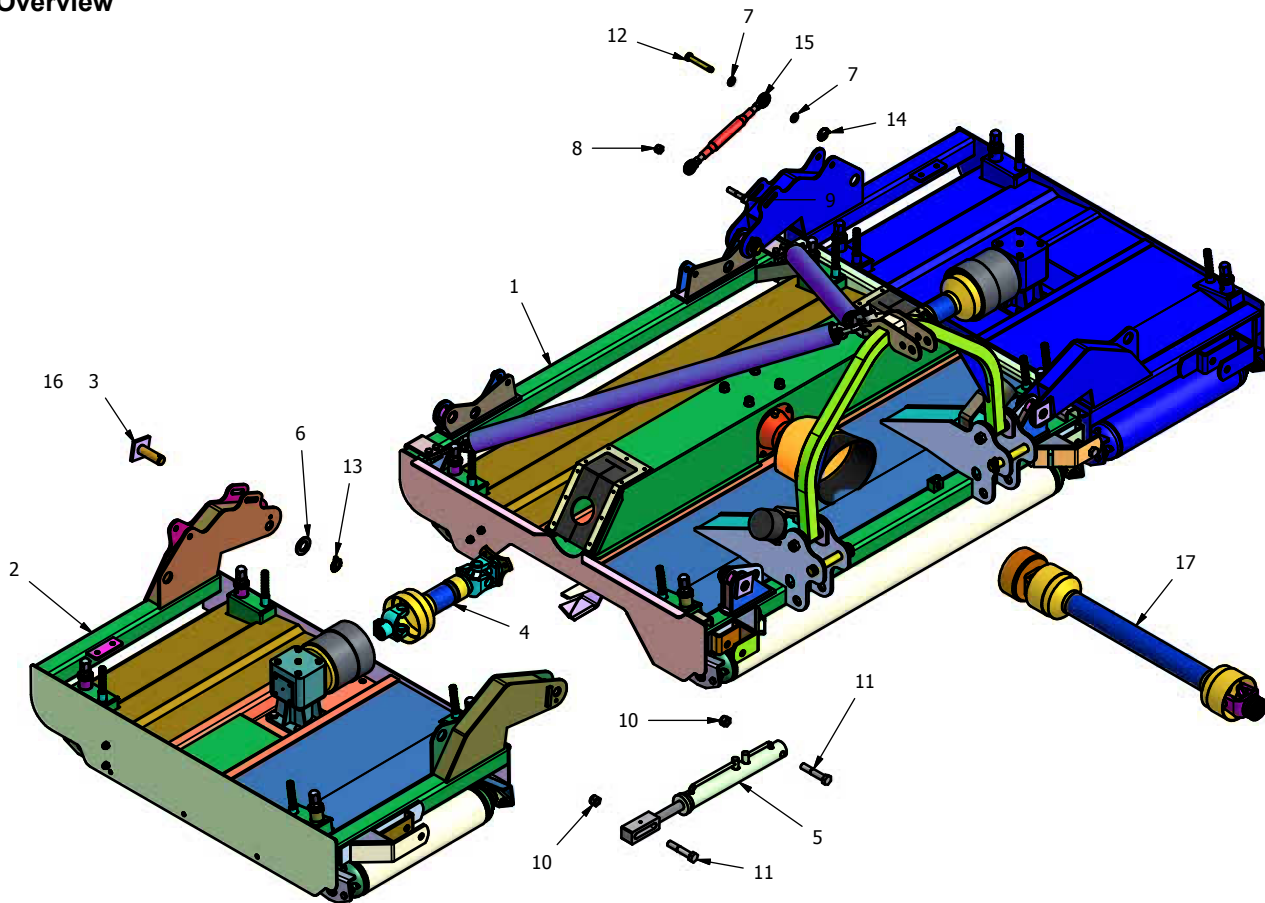
Item	Part No	Description	Qty
1	15GM-WDT	DRIVE TUBE (355mm)	1
2	15GMROLW	15000 RM WING ROLLER	2
3	15RM-C02	15000 WING COVER	1
4	15RM-SBW01	15000 WING SCRAPER	2

15000GR Rollermower - Wing - Parts

Item	Part No	Description	Qty
5	15RM-W001	15000 WING (RH)	1
6	Swinging Blades	SWING BLADE (Anti_Clk) See page 36	1
7	Swinging Blades	SWING BLADE (Clk) See page 36	1
8	84RM-RDT	DEFLECTOR TUBE	2
9	1/2F	1/2" FINE NYLOC NUT	6
10	12FTHRAS	THREADED HEIGHT ADJUSTER	4
11	12GMRA2L	HEIGHT ADJUSTER (LH)	1
12	12GMRA2R	HEIGHT ADJUSTER (RH)	1
13	12x3FSKS	1/2"x3" FINE SOCKET HEAD 12.9	6
14	190000760	GUARD (COVER 760/BASE 661)	1
15	LF205H	6 SPLINE "L" BOX RATIO 1.92	1
16	LF205TH	6 SPLINE "T" BOX RATIO 1.92	1
17	5/8F	5/8" FINE NYLOC NUT	9
18	58x214FBZP	5/8"x2 1/4" FINE BOLT	8
19	58x4FBZP	5/8"x4" FINE BOLT	1
20	8-6-7-00161	3/8" VALVE BREATHER	2
21	8SM18	6 SPLINE STAR DRIVE	1
22	FWM12	M12 FLAT WASHER	12
23	FWM20	M20 FLAT WASHER	4
24	FWM8	M8 FLAT WASHER	6
25	M12	M12 NYLOC NUT	14
26	M12x100BZP	M12x100 BOLT	2
27	M12x35BZP	M12x35 BOLT	4
28	M12x50SZP	M12x50 SET BOLT	2
29	M12x60BZP	M12x60 BOLT	4
30	M20HEX	M20 PLAIN NUT	4
31	M8x16SZP	M8x16 SET BOLT	6
32	NT55A	RUBBER COUPLING	1
33	RM-M20C	ROLLER ADJUSTER CAP NUT	4
34	RMORA-1	OFFSET HEIGHT ADJUSTER (RH)	1
35	RMORA-2	OFFSET HEIGHT ADJUSTER (LH)	1
36	15501	CAT 0 PIN DIA 16x97mm	1
37	37	LINCH PIN DIA 6	1
38	4418	CAT 0 TOP LINK	1
39	849	GREASE NIPPLE M6 STR	4
40	SW58	5/8" SPRING WASHER	8
41	12T-BBS	BLADE BACK SPACER	4
42	RM-RSN3	SHAFT COLLAR DIA 35	4
43	15RM-WDFL01	15ft WING UNDERSIDE COVER	1
44	84RM-RD1H	REAR DEFLECTOR	1
45	9TGT-CB	GEARBOX COVER BRKT	2
46	GM6-4F	GEARBOX REINF"	2
47	RM-RSN2	ROLLER MOUNT	4
48	RM-RSN4	SCRAPER MOUNT	4

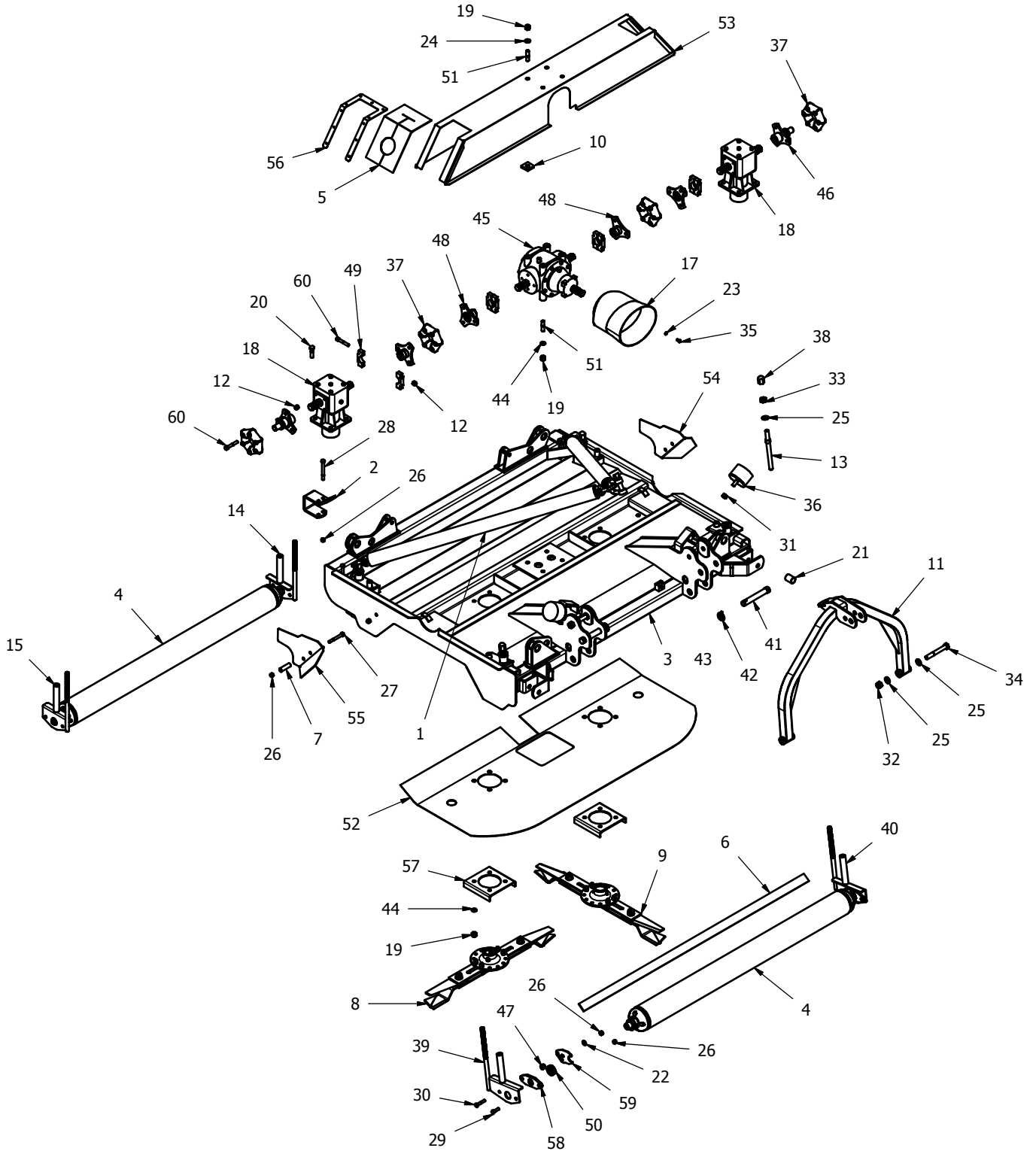
12FT3PL Rollermower

Overview



Item	Part No	Description	Qty
1	123RM-BGA	12000 3PL BODY ASSY	1
2	12RM-WGA-07	12000 WING (RH)	1
3	12W-PIN07	PIVOT PIN	4
4	T50-12W	12000 WING PTO SHAFT	2
5	17GM-WR4	WING LIFT RAM	2
6	FW114	DIA 1 1/4" FLAT WASHER	4
7	FWM16	M16 FLAT WASHER	4
8	M16	M16 NYLOC NUT	2
9	M16x75BZP	M16x75 BOLT	2
10	M20	M20 NYLOC NUT	4
11	M20x110BZP	M20x110 BOLT	4
12	15501	CAT 0 PIN DIA 16x97mm	2
13	3546	LINCH PIN DIA 9.5	4
14	37	LINCH PIN DIA 6	2
15	4418	CAT 0 TOP LINK	2
16	849	GREASE NIPPLE M6 STR	4
17	V600910ENC12RW6	V60 FIXED SLIP CLUTCH	1
19	12RM-WGA-07H	12000 WING (LH)	1
20	951-BL	951 BLADE (Anti_Clk)	1

12FT3PL Rollermower - Body



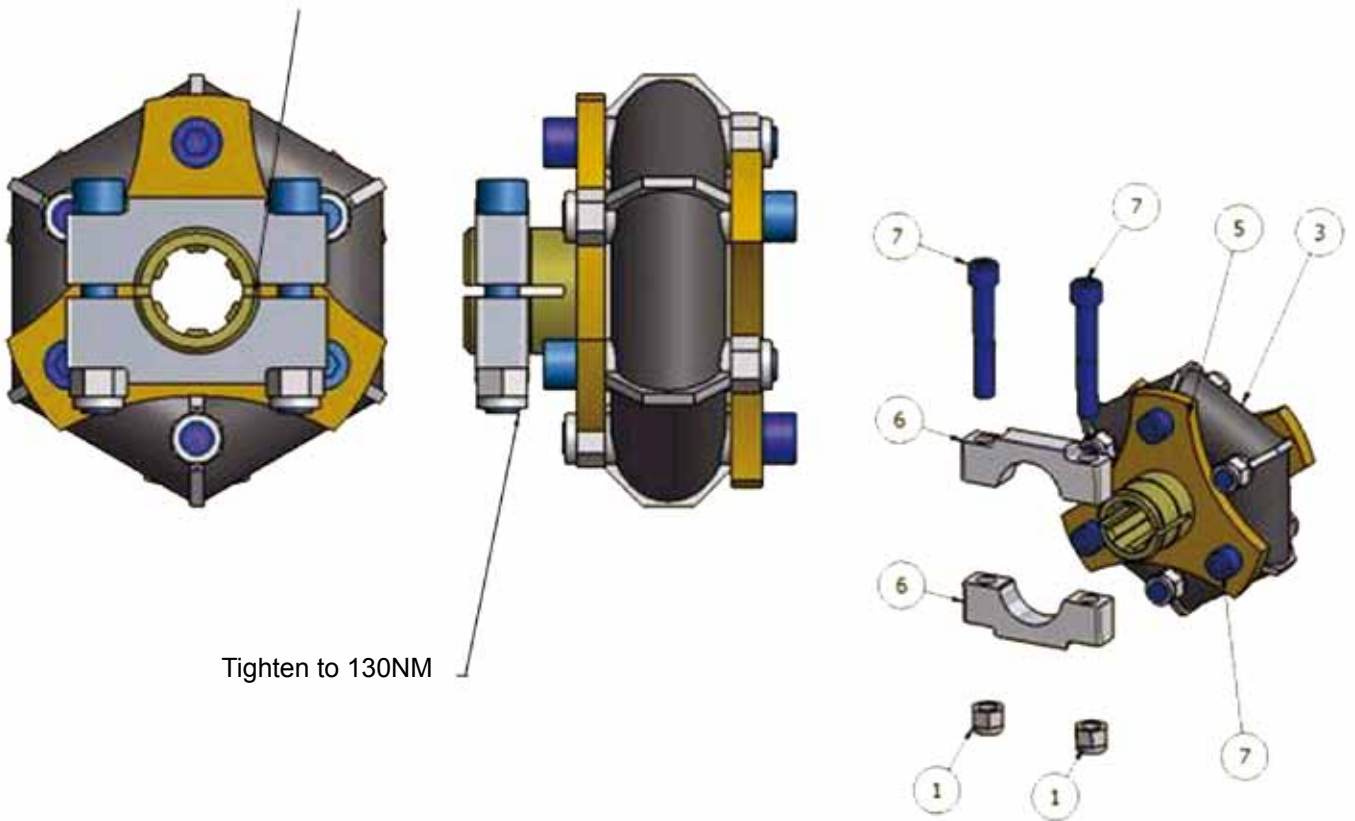
Item	Part No	Description	Qty
1	123PL-STRAP01	12000 CHAIN SLING	1
2	123RM-LEF	LIFT EYE FLAT	2
3	123RMB-001	12000 3PL BODY	1
4	12GMROLB	12000 BODY ROLLER	2
5	12GMTC1	G/BOX RUBBER COVER END	2
6	12RM-SB2	12000 BODY SCRAPER	2
7	84RM-RDT	DEFLECTOR TUBE	4
8	Pro Cut Blades	Pro Cut Blades (Anti_Clk) page 34	1
9	Pro Cut Blades	Pro Cut Blades (Clk) page 34	1
10	GM12/A	GUARD MOUNT BUFFER	4

12FT3PL Rollermower - Body - Parts Listing

Item	Part No	Description	Qty
11	123RMA01	HEAVY A-FRAME	1
12	1/2F	1/2" FINE NYLOC NUT	32
13	12FTHRAS	THREADED HEIGHT ADJUSTER	4
14	12GMRA2L	HEIGHT ADJUSTER (LH)	1
15	12GMRA2R	HEIGHT ADJUSTER (RH)	1
17	190.000.545	PTO GUARD (EXTENDED OVAL)	1
18	LF205T21	6-21 SPLINE "T" BOX RATIO 1.47	2
19	5/8F	5/8" FINE NYLOC NUT	16
20	58x214FBZP	5/8"x2 1/4" FINE BOLT	8
21	8SM14	DIA 1 1/4" BUSHx1 3/4"	4
22	FW12	12" FLAT WASHER	4
23	FWM8	M8 FLAT WASHER	4
24	FWM16	M16 FLAT WASHER	4
25	FWM20	M20 FLAT WASHER	8
26	M12	M12 NYLOC NUT	16
27	M12x100BZP	M12x100 BOLT	4
28	M12x120BZP	M12x120 BOLT	4
29	M12x40BZP	M12x40 BOLT	4
30	M12x60BZP	M12x60 BOLT	4
31	M16	M16 NYLOC NUT	2
32	M20	M20 NYLOC NUT	2
33	M20HEX	M20 PLAIN NUT	4
34	M20x150BZP	M20x150 BOLT	2
35	M8x16SZP	M8x16 SET BOLT	4
36	MOT75	DIA 105x75 BUFFER	2
37	NT55A	RUBBER COUPLING	4
38	RM-M20C	ROLLER ADJUSTER CAP NUT	4
39	RMORA-1	OFFSET HEIGHT ADJUSTER (RH)	1
40	RMORA-2	OFFSET HEIGHT ADJUSTER (LH)	1
41	112	CAT 2 PIN DIA 28.5x159mm	2
42	3546	LINCH PIN DIA 9.5	2
43	849	GREASE NIPPLE M6 STR	4
44	SW58	5/8" SPRING WASHER	12
45	T292B	6 SPLINE "T" BOX RATIO 1.86	1
46	12EW45-2 (EW45/2)	21 SPLINE STAR DRIVE	2
47	12T-BBS	BLADE BACK SPACER	4
48	17FT54SH	54mm SPLIT HUB	4
49	17FT-SHC	SPLIT HUB COLLAR	8
50	RM-RSN3	SHAFT COLLAR DIA 35	4
51	T292A-S1	T292 G/BOX STUD	8
52	12B-USL	12ft BODY UNDERSIDE COVER	1
53	12GMTC-2	12000 BODY COVER	1
54	12RM-RD-RB	BODY REAR DEFLECTOR	1
55	12RM-RD-RBH	BODY REAR DEFLECTOR	1
56	12TC-E	G/BOX COVER END	2
57	GM6-4F	GEARBOX REINF"	2
58	RM-RSN2	ROLLER MOUNT	4
59	RM-RSN4	SCRAPER MOUNT	4
60	12x3FSKS	1/2"x3" FINE SOCKET HEAD 12.9	32

Star Drive Couplings

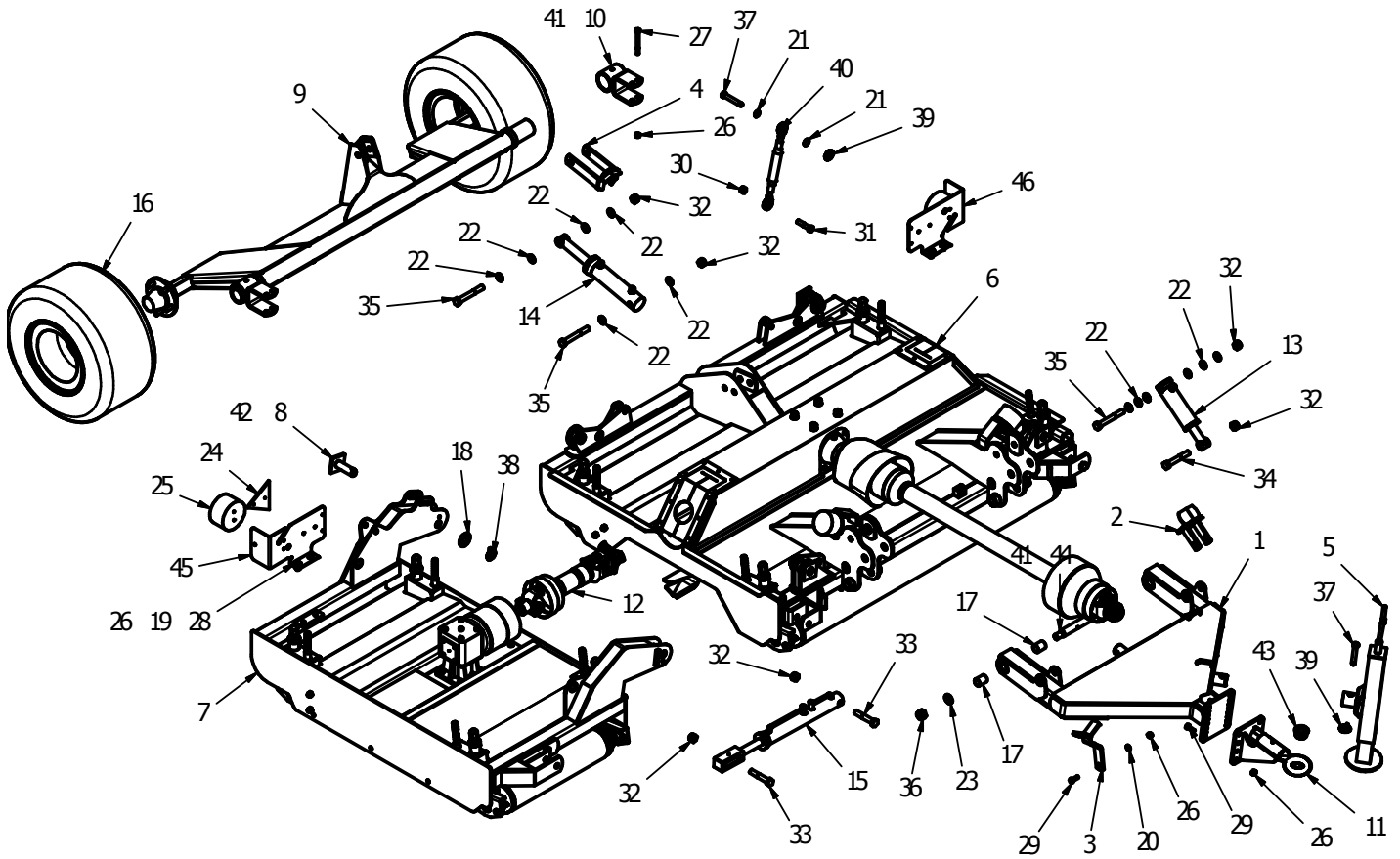
NOTE: Collars are aligned with split in hub for effective clamping



On these machines from May 2008: 12000GR, 12000GR3PL & 18000GR

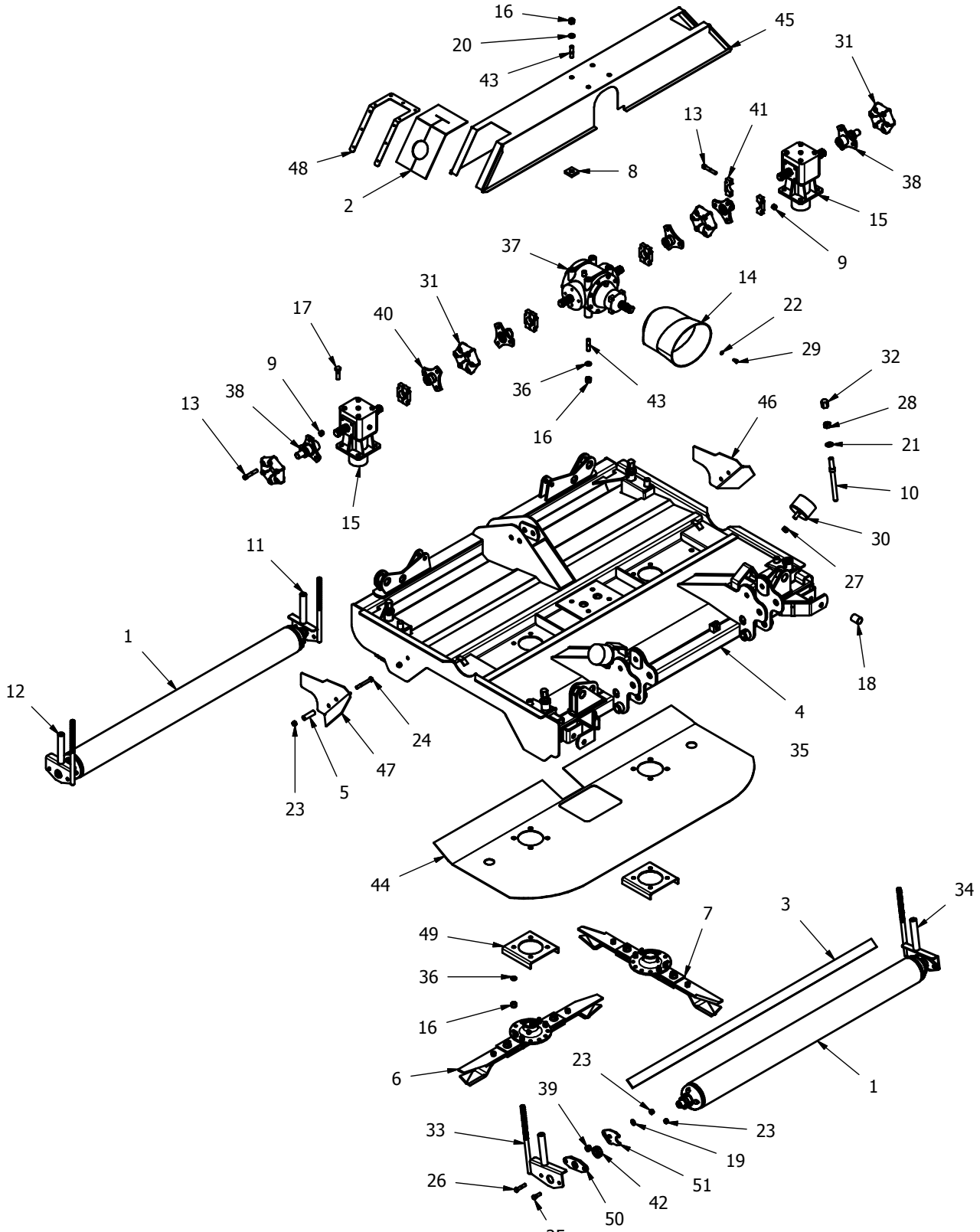
Item	Part No	Description
1	1/2F	1/2" Nyloc Nut
5	17FT54SH	54mm SPLIT HUB
6	17FT-SHC	Split hub collar
7	12x3FSKS	1/2"x3" FINE SOCKET HEAD 12.9

12000GR, 17000GR & 18000GR Rollermowers



Item	Part No	Description	Qty	Item	Part No	Description	Qty
1	12DB001	ROLLERMOWER DRAWBAR	1	25	LC360	LAMP	2
2	12DB-020	DRAWBAR STOP	2	26	M12	M12 NYLOC NUT	17
3	12DB-030	PTO STAND	1	27	M12x120BZP	M12x120 BOLT	4
4	12GMASS1	AXLE RAM STOP	1	28	M12x30SZP	M12x30 SET BOLT	4
5	12GMJK-1	RM PARKING JACK	1	29	M12x35BZP	M12x35 BOLT	9
6	12RM-BGA-07	12000 RM BODY ASSY	1	30	M16	M16 NYLOC NUT	2
7	12RM-WGA-07	12000 WING (RH)	1	31	M16x75BZP	M16x75 BOLT	2
8	12W-PIN07	PIVOT PIN	4	32	M20	M20 NYLOC NUT	10
9	17GMA1	17RM AXLE FAB	1	33	M20x110BZP	M20x110 BOLT	4
10	8T12	AXLE CLAMP	2	34	M20x130BZP	M20x130 BOLT	2
11	RTE-01	ROTARY HITCH EYE	1	35	M20x150BZP	M20x150 BOLT	4
12	T50-12W	12000 WING PTO SHAFT	2	36	M24	M24 NYLOC NUT	2
13	12D-RAM03	DRAWBAR RAM	2	37	15501	CAT 0 PIN DIA 16x97mm	3
14	12A-RAM	AXLE RAM	1	38	3546	LINCH PIN DIA 9.5	4
15	17GM-WR4	WING LIFT RAM	2	39	37	LINCH PIN DIA 6	3
16	26120012	DIA 650x320mm	2	40	4418	CAT 0 TOP LINK	2
17	8SM14	DIA 1 1/4" BUSHx1 3/4"	4	41	820	GREASE NIPPLE 1/8" STR	4
18	FW114	DIA 1 1/4" FLAT WASHER	4	42	849	GREASE NIPPLE M6 STR	4
19	FW12	12" FLAT WASHER	4	43	8561	TOW EYE BUSH	1
20	FWM12	M12 FLAT WASHER	1	44	16WTD010	DRAWBAR PIVOT PIN	2
21	FWM16	M16 FLAT WASHER	4	45	TA-LGPLITL	LGP LIGHT BRACKET (LH)	1
22	FWM20	M20 FLAT WASHER	18	46	TA-LGPLITR	LGP LIGHT BRACKET (RH)	1
23	FWM24	M24 FLAT WASHER	2	51	98611210CE00900700	WIDE ANGLE V60 FIXED SLIP	1
24	LC2700	TRIANGLE REFLECTOR	2				

12000GR, 17000GR & 18000GR - Body

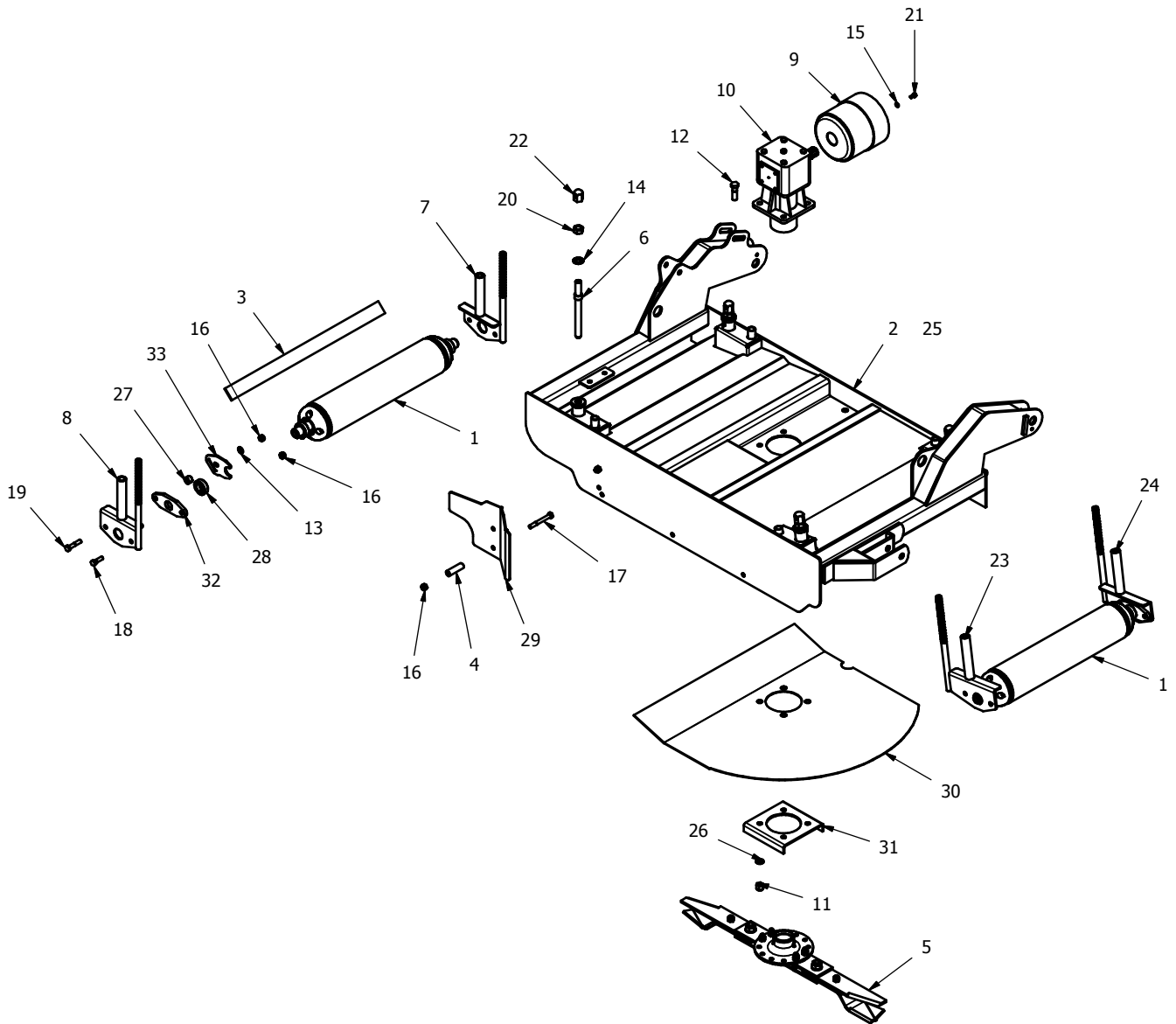


Item	Part No	Description	Qty
1	12GMROLB	12000 BODY ROLLER	2
2	12GMTC1	G/BOX RUBBER COVER END	2
3	12RM-SB2	12000 BODY SCRAPER	2
4	17GMB1-07	12000/18000 RM BODY	1
5	84RM-RDT	DEFLECTOR TUBE	4
6	Pro Cut Blades	Pro Cut Blades (Anti_Clk) see page 34	1
7	Pro Cut Blades	Pro Cut Blades (Clk) see page 34	1

12000GR, 17000GR & 18000GR - Body - Parts Listing

Item	Part No	Description	Qty
8	GM12/A	GUARD MOUNT BUFFER	4
9	1/2F	1/2" FINE NYLOC NUT	32
10	12FTHRAS	THREADED HEIGHT ADJUSTER	4
11	12GMRA2L	HEIGHT ADJUSTER (LH)	1
12	12GMRA2R	HEIGHT ADJUSTER (RH)	1
13	12x3FSKS	1/2"x3" FINE SOCKET HEAD 12.9	32
14	190.000.545	PTO GUARD (EXTENDED OVAL)	1
15	LF205T21	6-21 SPLINE "T" BOX RATIO 1.47	2
16	5/8F	5/8" FINE NYLOC NUT	16
17	58x214FBZP	5/8"x2 1/4" FINE BOLT	8
18	8SM14	DIA 1 1/4" BUSHx1 3/4"	4
19	FW12	12" FLAT WASHER	4
20	FWM16	M16 FLAT WASHER	4
21	FWM20	M20 FLAT WASHER	4
22	FWM8	M8 FLAT WASHER	4
23	M12	M12 NYLOC NUT	12
24	M12x100BZP	M12x100 BOLT	4
25	M12x40BZP	M12x40 BOLT	4
26	M12x60BZP	M12x60 BOLT	4
27	M16	M16 NYLOC NUT	2
28	M20HEX	M20 PLAIN NUT	4
29	M8x16SZP	M8x16 SET BOLT	4
30	MOT75	DIA 105x75 BUFFER	2
31	NT55A	RUBBER COUPLING	4
32	RM-M20C	ROLLER ADJUSTER CAP NUT	4
33	RMORA-1	OFFSET HEIGHT ADJUSTER (RH)	1
34	RMORA-2	OFFSET HEIGHT ADJUSTER (LH)	1
35	849	GREASE NIPPLE M6 STR	4
36	SW58	5/8" SPRING WASHER	12
37	T292B	6 SPLINE "T" BOX RATIO 1.86	1
38	12EW45-2 (EW45/2)	21 SPLINE STAR DRIVE	2
39	12T-BBS	BLADE BACK SPACER	4
40	17FT54SH	54mm SPLIT HUB	4
41	17FT-SHC	SPLIT HUB COLLAR	8
42	RM-RSN3	SHAFT COLLAR DIA 35	4
43	T292A-S1	T292 G/BOX STUD	8
44	12B-USL	12ft BODY UNDERSIDE COVER	1
45	12GMTC-2	12000 BODY COVER	1
46	12RM-RD-RB	BODY REAR DEFLECTOR	1
47	12RM-RD-RBH	BODY REAR DEFLECTOR	1
48	12TC-E	G/BOX COVER END	2
49	GM6-4F	GEARBOX REINF"	2
50	RM-RSN2	ROLLER MOUNT	4
51	RM-RSN4	SCRAPER MOUNT	4

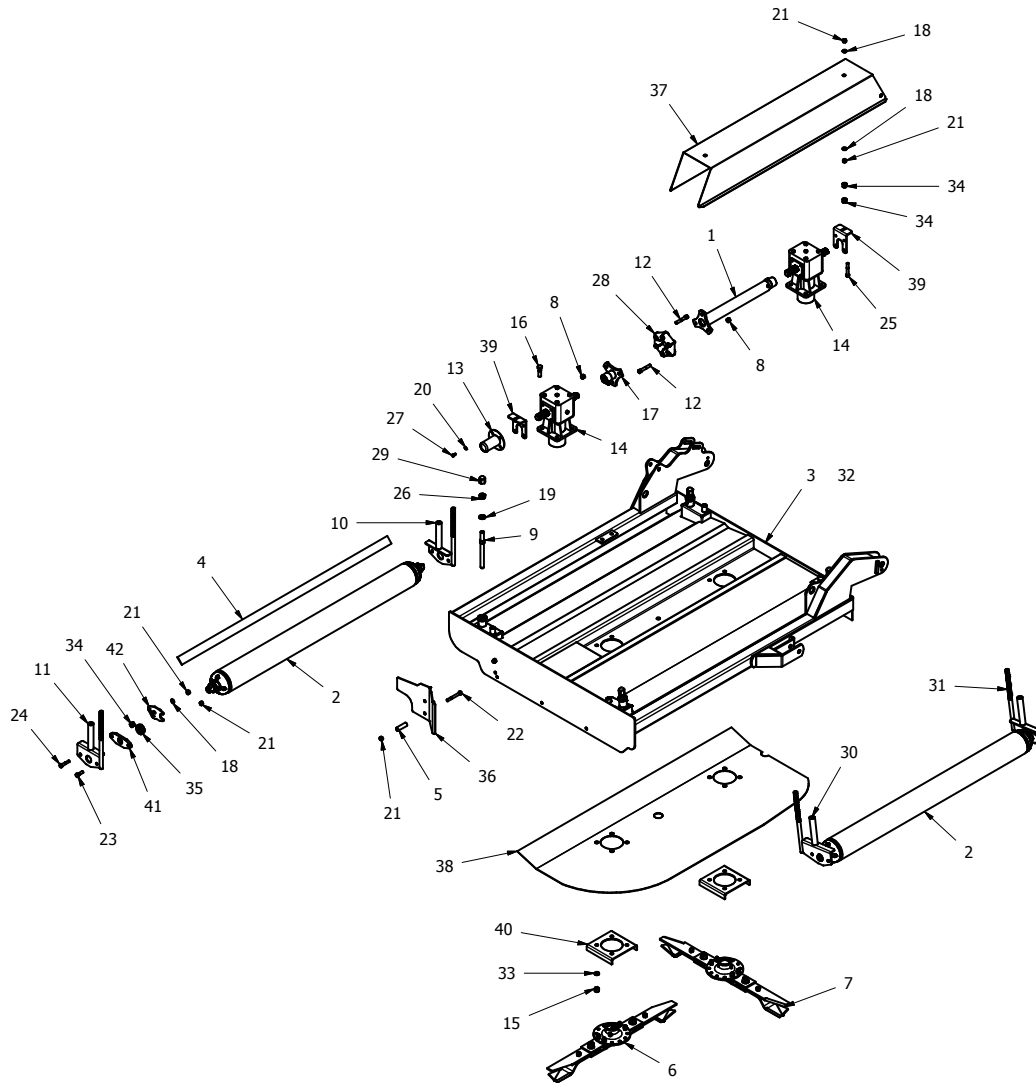
12000GR - Wing



Item	Part No	Description	Qty
1	12GMROLW	12000 WING ROLLER	2
2	12GMW-07	12000 RM WING	1
3	12RM-SB1	12000 WING SCRAPER	2
4	84RM-RDT	DEFLECTOR TUBE	2
5	Pro Cut Blades	Pro Cut Blades (Clk) see page 34	1
6	12FTHRAS	THREADED HEIGHT ADJUSTER	4
7	12GMRA2L	HEIGHT ADJUSTER (LH)	1
8	12GMRA2R	HEIGHT ADJUSTER (RH)	1
9	190660-1	GUARD (COVER 660/BASE 661)	1
10	LF205	6 SPLINE "L" BOX RATIO 1.47	1
11	5/8F	5/8" FINE NYLOC NUT	4
12	58x214FBZP	5/8"x2 1/4" FINE BOLT	4
13	FWM12	M12 FLAT WASHER	4
14	FWM20	M20 FLAT WASHER	4
15	FWM8	M8 FLAT WASHER	4
16	M12	M12 NYLOC NUT	10
17	M12x100BZP	M12x100 BOLT	2

Item	Part No	Description	Qty
18	M12x40BZP	M12x40 BOLT	4
19	M12x60BZP	M12x60 BOLT	4
20	M20HEX	M20 PLAIN NUT	4
21	M8x16SZP	M8x16 SET BOLT	4
22	RM-M20C	ROLLER ADJUSTER CAP NUT	4
23	RMORA-1	OFFSET HEIGHT ADJUSTER (RH)	1
24	RMORA-2	OFFSET HEIGHT ADJUSTER (LH)	1
25	849	GREASE NIPPLE M6 STR	4
26	SW58	5/8" SPRING WASHER	4
27	12T-BBS	BLADE BACK SPACER	4
28	RM-RSN3	SHAFT COLLAR DIA 35	4
29	12RM-RD-LH	WING REAR DEFLECTOR	1
30	12W-USL	12ft WING UNDERSIDE COVER	1
31	GM6-4F	GEARBOX REINF"	1
32	RM-RSN2	ROLLER MOUNT	4
33	RM-RSN4	SCRAPER MOUNT	4

17000GR & 18000GR - Wing

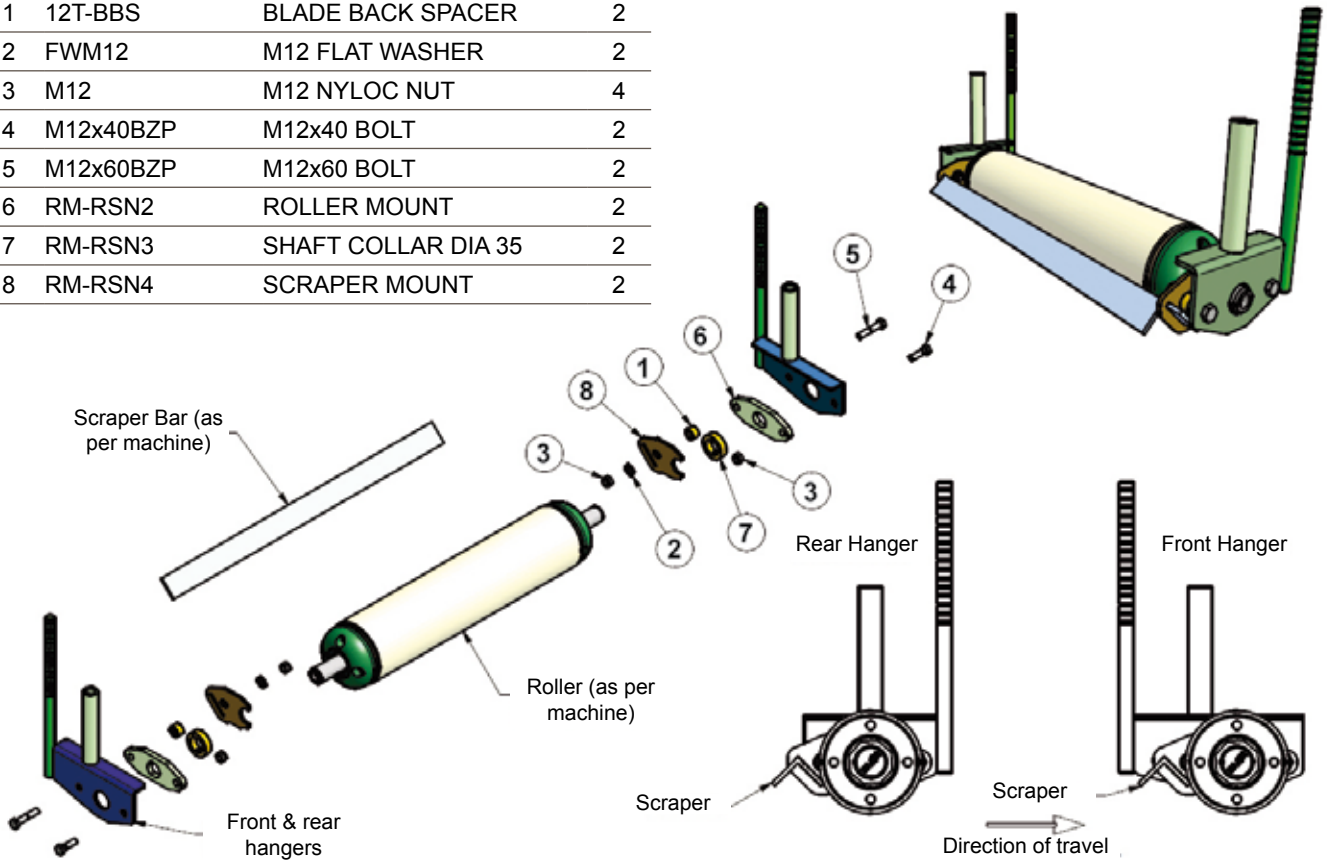


Item	Part No	Description	Qty
1	18GM-WDT	18000 DRIVE TUBE	1
2	18GM-ROLW	18000 WING ROLLER	2
3	18GMW	18000 RM WING	1
4	18RM-SB1	18000 WING SCRAPER	2
5	84RM-RDT	DEFLECTOR TUBE	2
6	Pro Cut Blades	Pro Cut Blades (Anti_Clk) page 34	1
7	Pro Cut Blades	Pro Cut Blades (Clk) see page 34	1
8	1/2F	1/2" FINE NYLOC NUT	6
9	12FTHRAS	THREADED HEIGHT ADJUSTER	4
10	12GMRA2L	HEIGHT ADJUSTER (LH)	1
11	12GMRA2R	HEIGHT ADJUSTER (RH)	1
12	12x3FSKS	1/2"x3" FINE SOCKET HEAD 12.9	6
13	190000592	PTO HAT	1
14	LF205T	6 SPLINE "T" BOX RATIO 1.47	2
15	5/8F	5/8" FINE NYLOC NUT	8
16	58x214FBZP	5/8"x2 1/4" FINE BOLT	8
17	8SM18	6 SPLINE STAR DRIVE	1
18	FWM12	M12 FLAT WASHER	8
19	FWM20	M20 FLAT WASHER	4
20	FWM8	M8 FLAT WASHER	4
21	M12	M12 NYLOC NUT	14
22	M12x100BZP	M12x100 BOLT	2

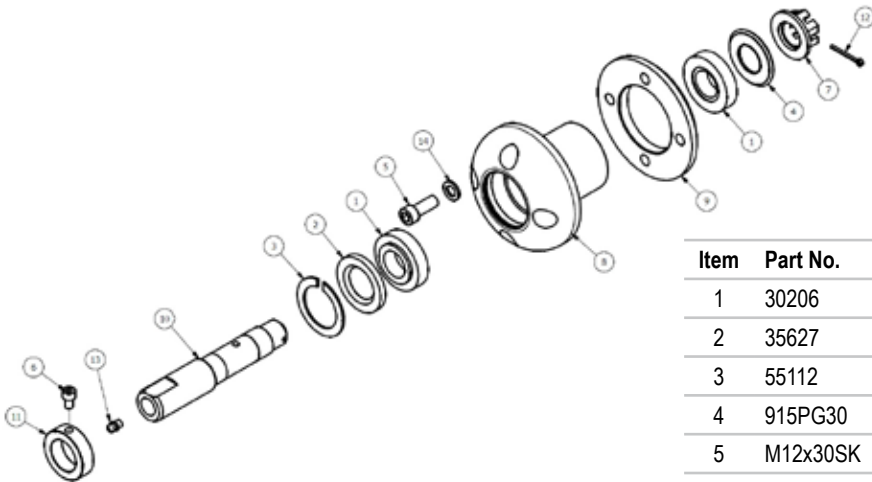
Item	Part No	Description	Qty
23	M12x40BZP	M12x40 BOLT	4
24	M12x60BZP	M12x60 BOLT	4
25	M12x80BZP	M12x80 BOLT	2
26	M20HEX	M20 PLAIN NUT	4
27	M8x16SZP	M8x16 SET BOLT	6
28	NT55A	RUBBER COUPLING	1
29	RM-M20C	ROLLER ADJUSTER CAP NUT	4
30	RMORA-1	OFFSET HEIGHT ADJUSTER (RH)	1
31	RMORA-2	OFFSET HEIGHT ADJUSTER (LH)	1
32	849	GREASE NIPPLE M6 STR	4
33	SW58	5/8" SPRING WASHER	8
34	12T-BBS	BLADE BACK SPACER	8
35	RM-RSN3	SHAFT COLLAR DIA 35	4
36	12RM-RD-LH	WING REAR DEFLECTOR	1
37	18GM-WTC2	18000 WING COVER	1
38	18W-USL	18ft WING UNDERSIDE COVER	1
39	9TGT-CB	GEARBOX COVER BRKT	2
40	GM6-4F	GEARBOX REINF"	2
41	RM-RSN2	ROLLER MOUNT	4
42	RM-RSN4	SCRAPER MOUNT	4

Scraper Bar Set Up

Item	Part No	Description	Qty
1	12T-BBS	BLADE BACK SPACER	2
2	FWM12	M12 FLAT WASHER	2
3	M12	M12 NYLOC NUT	4
4	M12x40BZP	M12x40 BOLT	2
5	M12x60BZP	M12x60 BOLT	2
6	RM-RSN2	ROLLER MOUNT	2
7	RM-RSN3	SHAFT COLLAR DIA 35	2
8	RM-RSN4	SCRAPER MOUNT	2



Roller End Assembly



Item	Part No.	Description	Qty
1	30206	TAPER BRG 62x30x17.25	2
2	35627	SEAL 35x62x7	1
3	55112	DIA 62 INT CIRCLIP	1
4	915PG30	WIPE SEAL	1
5	M12x30SK	M12x30 SOCKET HEAD SCREW	4
6	M8x12SK	M8x12mm SOCKET HEAD 12.9	1
7	RM-04NUT	NUT-WASHER WELDMENT	1
8	RM-04REH	ROLLER END HOUSING	1
9	RM-04REP	ROLLER END PLATE	1
10	RM-04RES	ROLLER END SHAFT	1
11	RM-RSN3	SHAFT COLLAR DIA 35	1
12	S1500	SPLIT PIN 1/8"x1 1/2"	1
13	S851	GREASE NIPPLE M8x1.25 STR	1
14	SWM12	M12 SPRING WASHER	4

Blades

PRO CUT BLADE SYSTEM



Standard system on: 6000, 8000, 12000 & 18000 (from April '09)

SWINGING BLADE SYSTEM



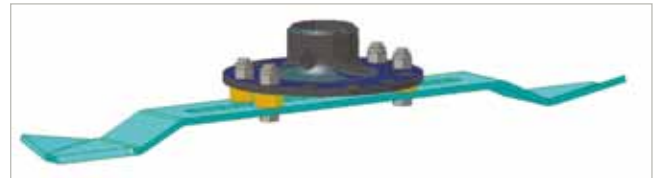
Standard system on: 6300, 8400, 11000, 15000 & TDR Models

MULCHING BLADE SYSTEM



Optional system on: 6300, 8400, 11000, 15000 & TDR Models

FIXED BLADE SYSTEM

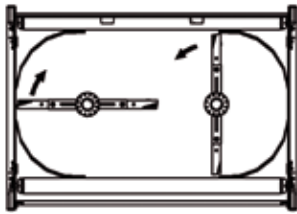


Optional system on: 6300, 8400, 11000, 15000 & TDR Models

BLADE ROTATIONS

6000GR

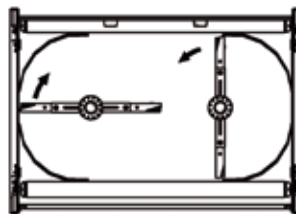
FRONT OF MACHINE



Anti-Clockwise PRO CUT
Clockwise PRO CUT

8000GR

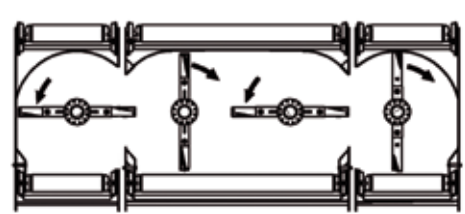
FRONT OF MACHINE



Anti-Clockwise PRO CUT
Clockwise PRO CUT

12000GR

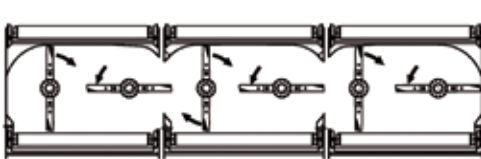
FRONT OF MACHINE



Anti-Clockwise PRO CUT
Clockwise PRO CUT

18000GR

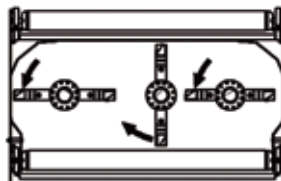
FRONT OF MACHINE



Anti-Clockwise PRO CUT
Anti-Clockwise PRO CUT
Clockwise PRO CUT
Clockwise PRO CUT

6300GR

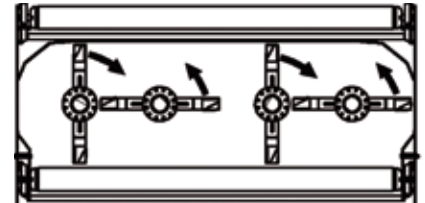
FRONT OF MACHINE



725-SBL 725-SBR 640-SBL
SWINGING BLADES

8400GR

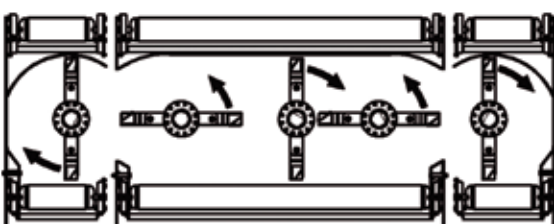
FRONT OF MACHINE



640-SBR 725-SBL 725-SBR 640-SBL
SWINGING BLADES

11000GR

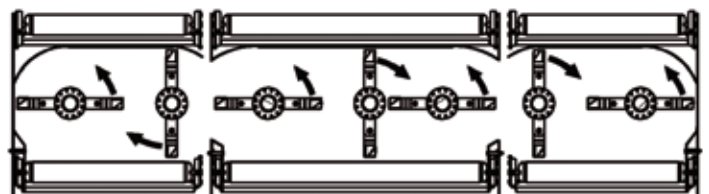
FRONT OF MACHINE



725-SBL 725-SBR
SWINGING BLADES

15000GR

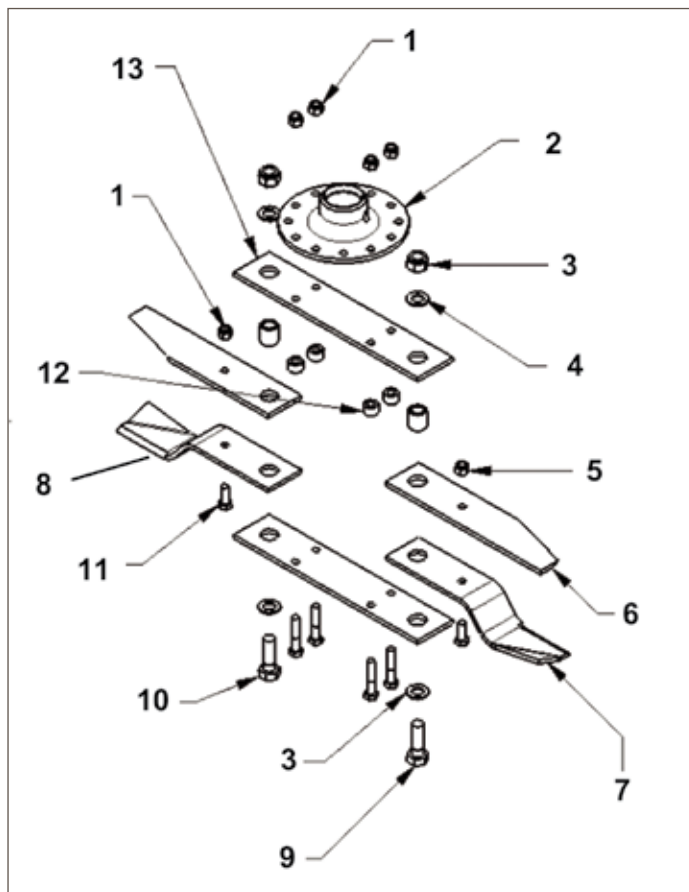
FRONT OF MACHINE



725-SBR 725-SBL
SWINGING BLADES

PRO-CUT BLADE SYSTEMS - on 6000, 8000, 12000, 12FT3PL & 18000 Models **from April 2009**

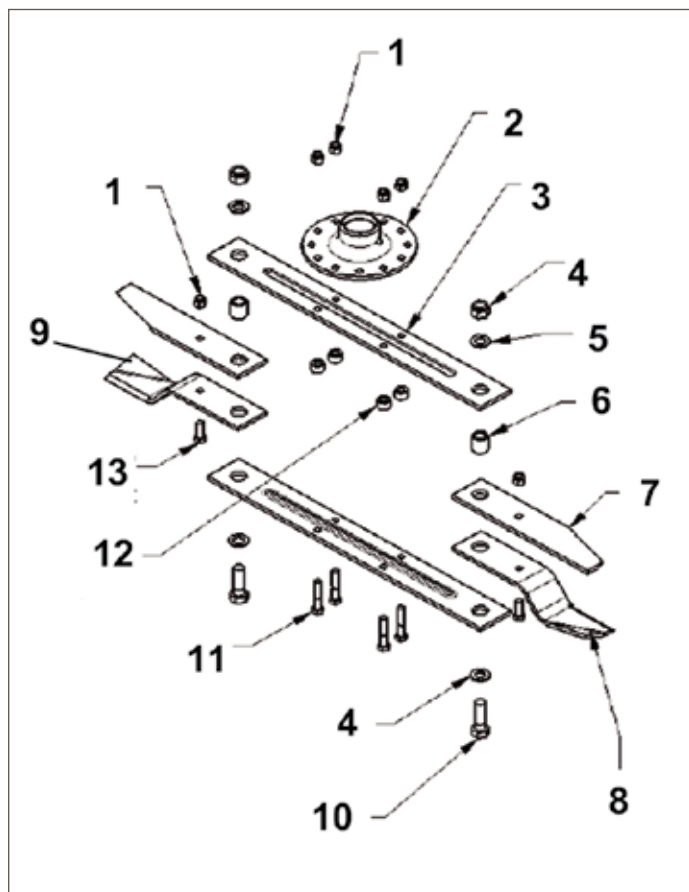
MACHINE MODEL: 6000, 12000, 12FT3PL & 18000GR



Item	Part No	Description	Qty
1	1/2F	1/2" Nyloc Nut	6
2	DF-BMP	BLADE MOUNT	1
3	M20	M20 NYLOC NUT	2
4	FWM20	M20 FLAT WASHER	4
5	12T-LBB	Overlap Blade Bushing	2
6	NTSB12C	Overlap Blade	2
7	9GTB/A	Blade anti clockwise	2
8	9GTB/C	Blade clockwise	2
9	M20X60BZP	M20x60 BOLT	2
10	12X212FBZP	1/2"x2 1/2" FINE BOLT	4
11	12x114FBZP	1/2"x1 1/4" FINE BOLT	2
12	12T-BBS	BLADE BACK SPACER	4
13	BLDB-335	BLADE BACK	2

MACHINE	QTY
6000	2 OFF (1 each direction)
12000GR	4 OFF (2 each direction)
12000GR 3PL	4 OFF (2 each direction)
18000GR	6 OFF (3 each direction)

MACHINE MODEL: 8000



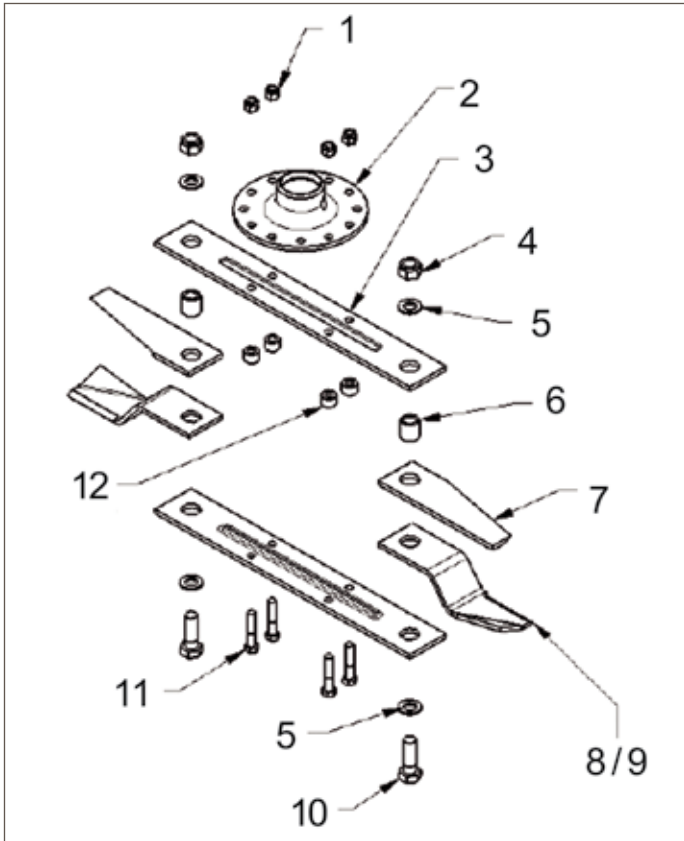
Item	Part No	Description	Qty
1	1/2F	1/2" Nyloc Nut	6
2	DF-BMP	BLADE MOUNT	1
3	BLDB-623	BLADE BACK	2
4	M20	M20 NYLOC NUT	2
5	FWM20	M20 FLAT WASHER	4
6	12T-LBB	Overlap Blade Bushing	2
7	NTSB12C	Overlap Blade	2
8	9GTB/A	Blade anti clockwise	2
9	9GTB/C	Blade clockwise	2
10	M20X60BZP	M20x60 BOLT	2
11	12X212FBZP	1/2"x2 1/2" FINE BOLT	4
12	12T-BBS	BLADE BACK SPACER	4
13	12x114FBZP	1/2"x1 1/4" FINE BOLT	2

MACHINE	QTY
8000	2 OFF (1 each direction)

NOTE: Please have the serial number of your machine to hand when ordering blades to ensure you get the correct parts.

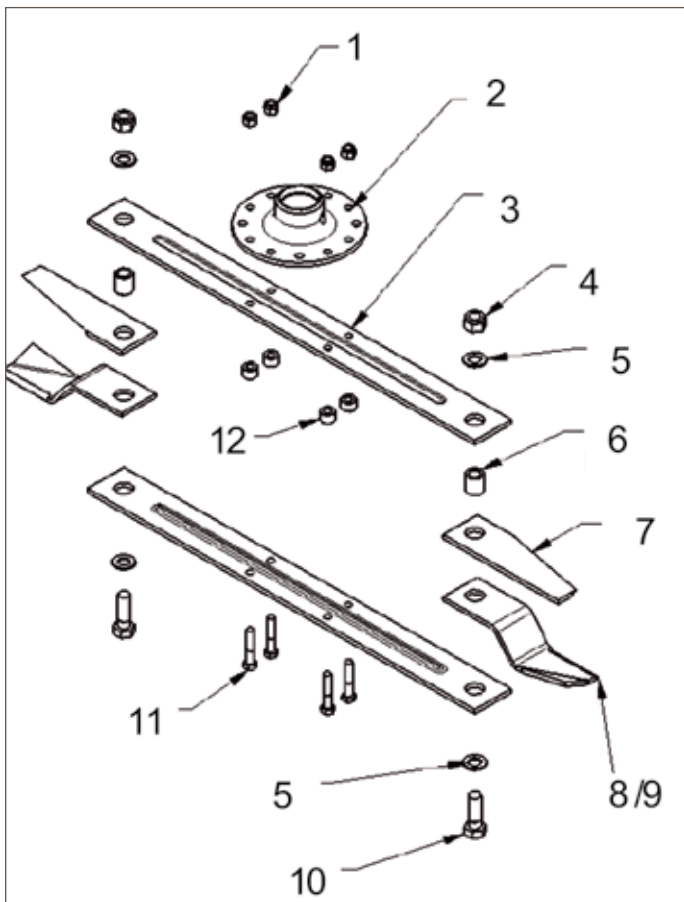
STANDARD BLADE SYSTEM - on: 6000, 8000, 12000, 12FT3PL, 17000 & 18000 prior to April 2009

MACHINE MODEL: 6000, 12000, 12FT3PL, 17000 & 18000GR



Item	Part No	Description	Qty
1	1/2F	1/2" Nyloc Nut	6
2	DF-BMP	BLADE MOUNT	1
3	GM26	BLADE BACK	2
4	M20	M20 NYLOC NUT	2
5	FWM20	M20 FLAT WASHER	4
6	12T-LBB	Overlap Blade Bushing	2
7	12T-OLB	Overlap Blade	2
8	NTSB10A	SWING BLADE (Anti-Clk)	2
9	8SM9/1	Swing Blade (Clockwise)	2
10	M20X60BZP	M20x60 BOLT	2
11	12X212FBZP	1/2"x2 1/2" FINE BOLT	4
12	12T-BBS	BLADE BACK SPACER	4

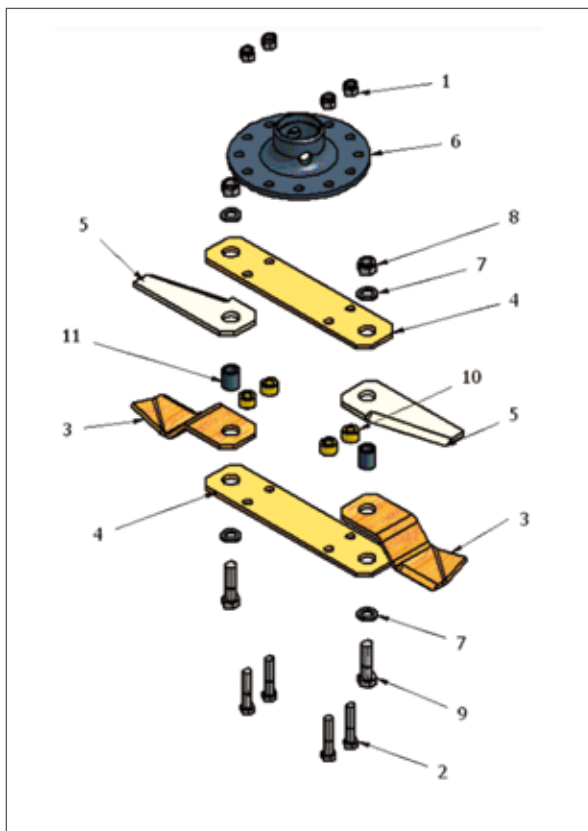
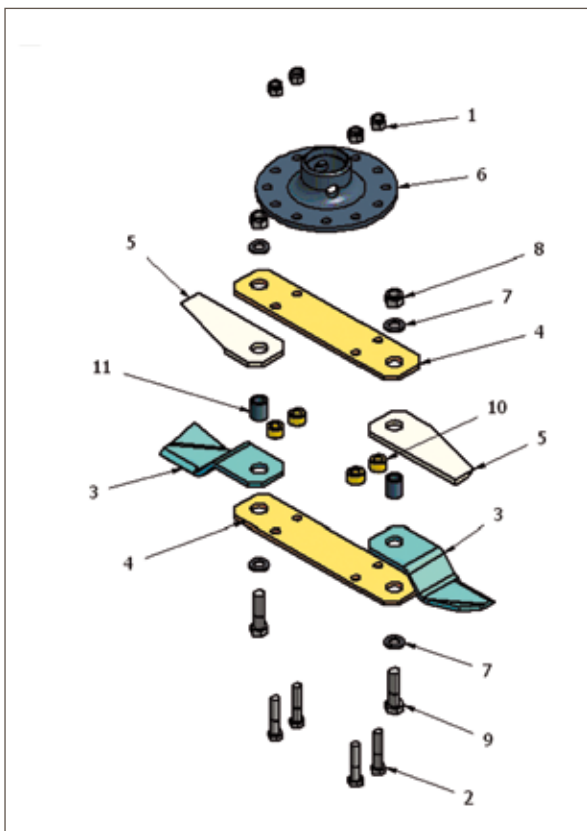
MACHINE MODEL: 8000



Item	Part No	Description	Qty
1	1/2F	1/2" Nyloc Nut	6
2	DF-BMP	BLADE MOUNT	1
3	8SM9/2	Blade Back	
4	M20	M20 NYLOC NUT	2
5	FWM20	M20 FLAT WASHER	4
6	12T-LBB	Overlap Blade Bushing	2
7	12T-OLB	Overlap Blade	2
8	NTSB10A	SWING BLADE (Anti-Clk)	2
9	8SM9/1	Swing Blade (Clockwise)	2
10	M20X60BZP	M20x60 BOLT	2
11	12X212FBZP	1/2"x2 1/2" FINE BOLT	4
12	12T-BBS	BLADE BACK SPACER	4

Anti Clockwise Mulching Blade

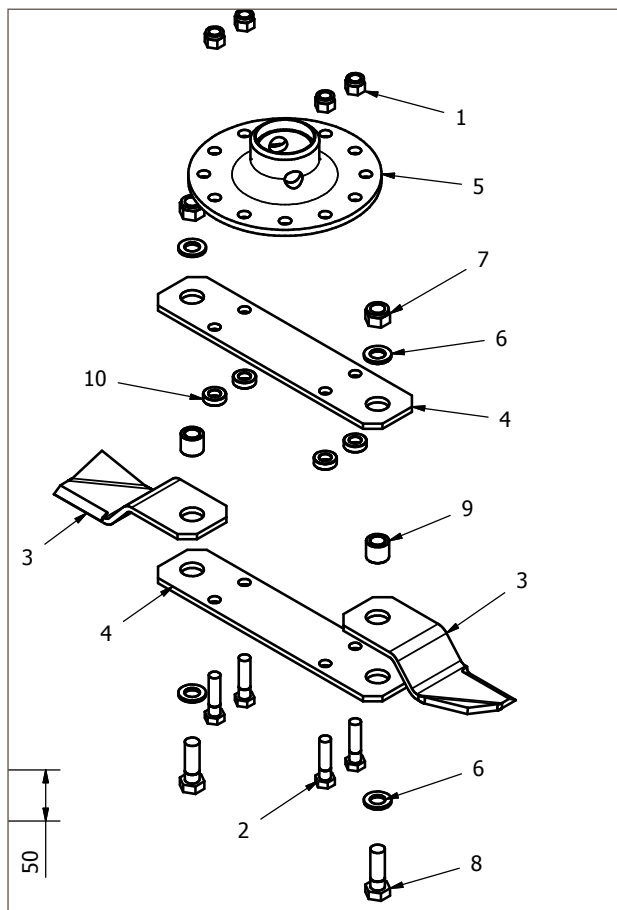
Clockwise Mulching Blade



Item	Part No	Description	Qty per rotor
1	1/2F	Nyloc Nut	4
2	12X212FBZP	Bolt	4
3	84RM-SB01	Swing Blade (Anti Clock)	2
	84RM-SB02	Swing Blade (Clock)	2
4	84RM-SBB	Blade Back (285 ctr)	2
	84RM-SBB2	Blade Back (370 ctr)	2
5	84RM-SBOL	Overlap Blade	2
6	DF-BMP	Mounting Plate	1
7	FWM16	Washer	4
8	M16	Nyloc Nut	2
9	M16X60BZP	M16 X 60 Bolts Plated	2
10	12T-BBS	Spacer	4
11	84RM-SBOB	Overlap Bush	2

SWINGING BLADE SYSTEMS - Standard system on: 6300, 8400, 11000, 15000 & TDR Models

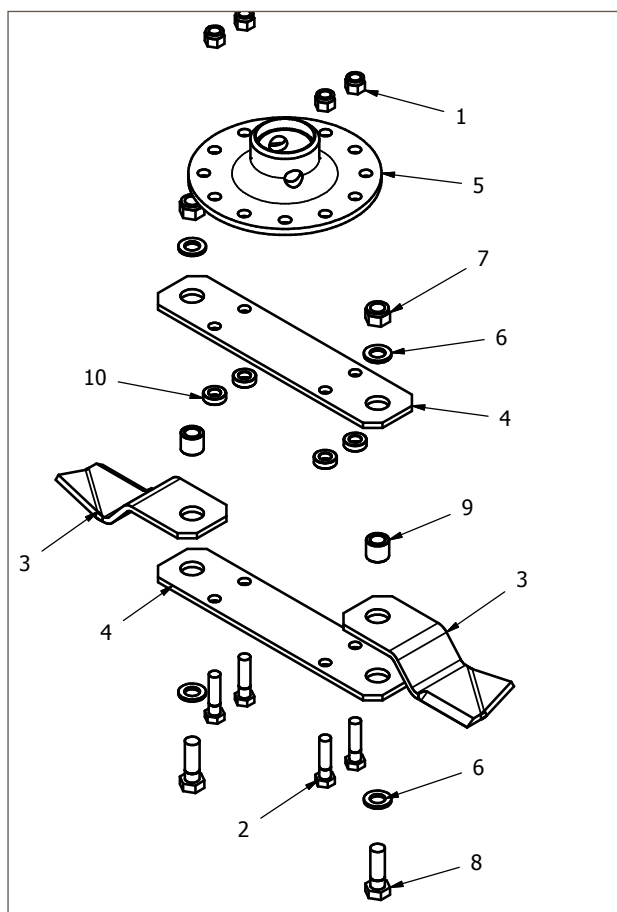
640-SBL - 640 Swing Blade (Anti Clockwise)



MACHINE	QTY
6300	1 OFF
8400	1 OFF

Item	Part No	Description	Qty
1	1/2F	1/2" Nyloc Nut	4
2	12x2FBZP	1/2"x2" FINE BOLT	4
3	84RM-SB01	SWING BLADE (Anti-Clk)	2
4	84RM-SBB	BLADE BACK (285 CTR)	2
5	DF-BMP	BLADE MOUNT	1
6	FWM16	M16 FLAT WASHER	4
7	M16	M16 NYLOC NUT	2
8	M16x50BZP	M16x50 BOLT	2
9	84RM-SBBB	BLADE BUSH	2
10	8SM9/3	BLADE BACK SPACER	4

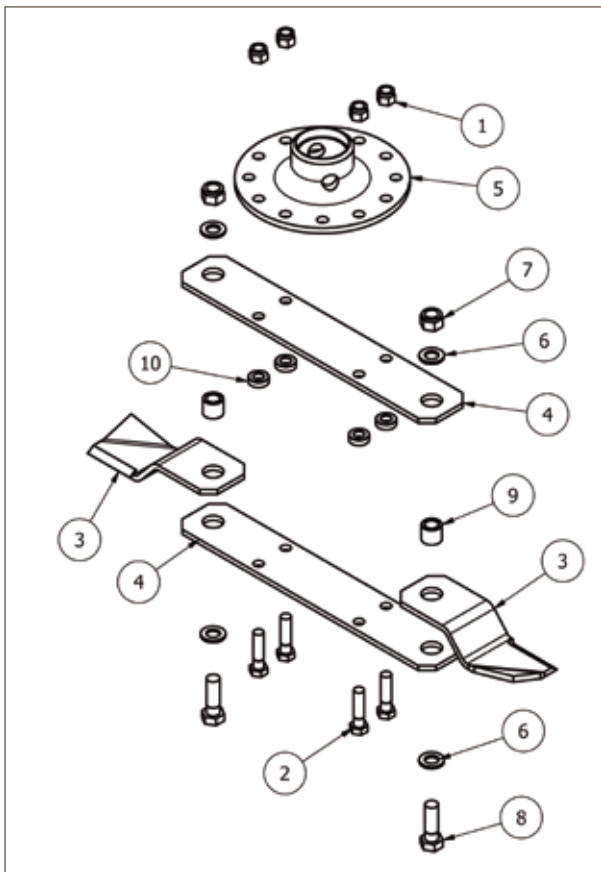
640-SBR - 640 Swing Blade (clockwise)



MACHINE	QTY
8400	1 OFF

Item	Part No	Description	Qty
1	1/2F	1/2" Nyloc Nut	4
2	12x2FBZP	1/2"x2" FINE BOLT	4
3	84RM-SB02	SWING BLADE (Clk)	2
4	84RM-SBB	BLADE BACK (285 CTR)	2
5	DF-BMP	BLADE MOUNT	1
6	FWM16	M16 FLAT WASHER	4
7	M16	M16 NYLOC NUT	2
8	M16x50BZP	M16x50 BOLT	2
9	84RM-SBBB	BLADE BUSH	2
10	8SM9/3	BLADE BACK SPACER	4

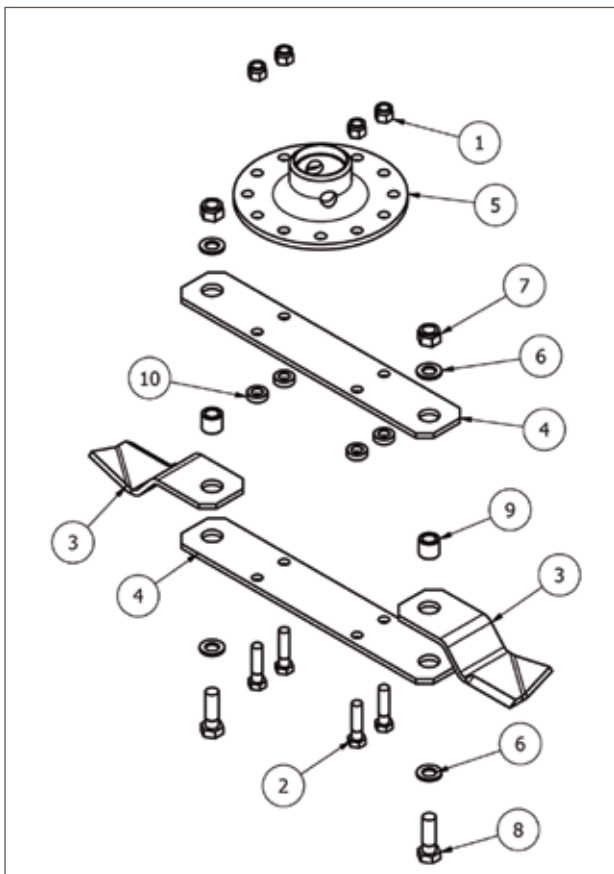
725-SBL - 725 Swing Blade (Anti Clockwise)



MACHINE	QTY
6300	1 OFF
8400	1 OFF
11000	2 OFF
15000	4 OFF

Item	Part No	Description	Qty
1	1/2F	1/2" Nyloc Nut	4
2	12x2FBZP	1/2"x2" FINE BOLT	4
3	84RM-SB01	SWING BLADE (A Cik)	2
4	84RM-SBB2	BLADE BACK (370 CTR)	2
5	DF-BMP	BLADE MOUNT	1
6	FWM16	M16 FLAT WASHER	4
7	M16	M16 NYLOC NUT	2
8	M16x50BZP	M16x50 BOLT	2
9	84RM-SBBB	BLADE BUSH	2
10	8SM9/3	BLADE BACK SPACER	4

725-SBR - 725 Swing Blade (Clockwise)

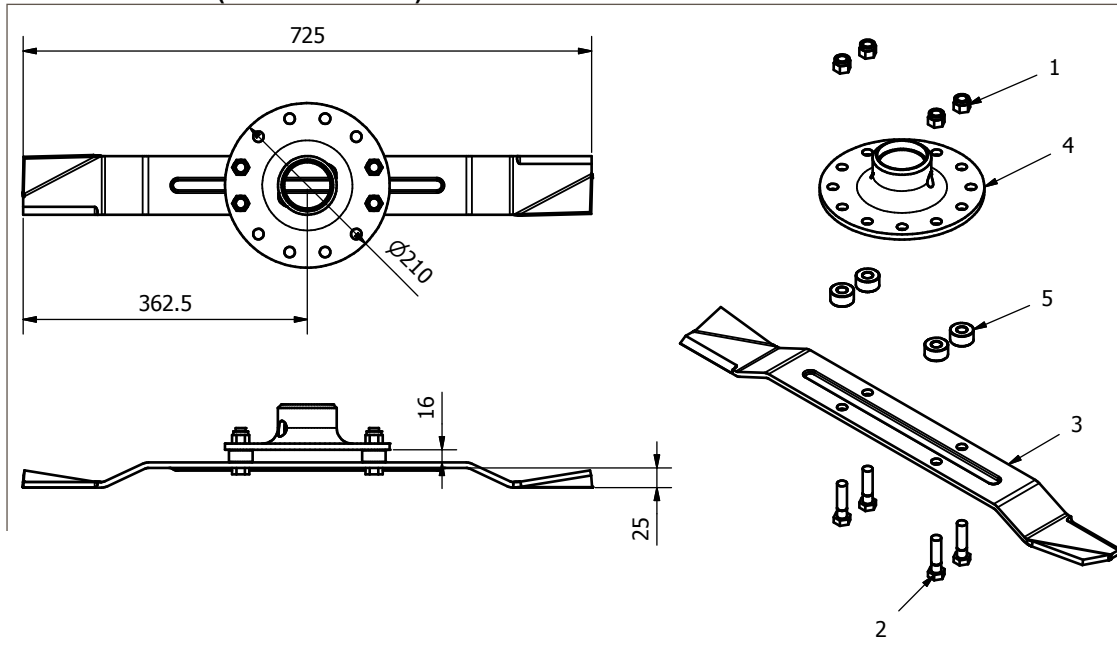


MACHINE	QTY
6300	1 OFF
8400	1 OFF
11000	3 OFF
15000	3 OFF

Item	Part No	Description	Qty
1	1/2F	1/2" Nyloc Nut	4
2	12x2FBZP	1/2"x2" FINE BOLT	4
3	84RM-SB02	SWING BLADE (Cik)	2
4	84RM-SBB2	BLADE BACK (370 CTR)	2
5	DF-BMP	BLADE MOUNT	1
6	FWM16	M16 FLAT WASHER	4
7	M16	M16 NYLOC NUT	2
8	M16x50BZP	M16x50 BOLT	2
9	84RM-SBBB	BLADE BUSH	2
10	8SM9/3	BLADE BACK SPACER	4

FIXED BLADE SYSTEMS - Optional system on: 6300, 8400, 11000, 15000 & TDR Models

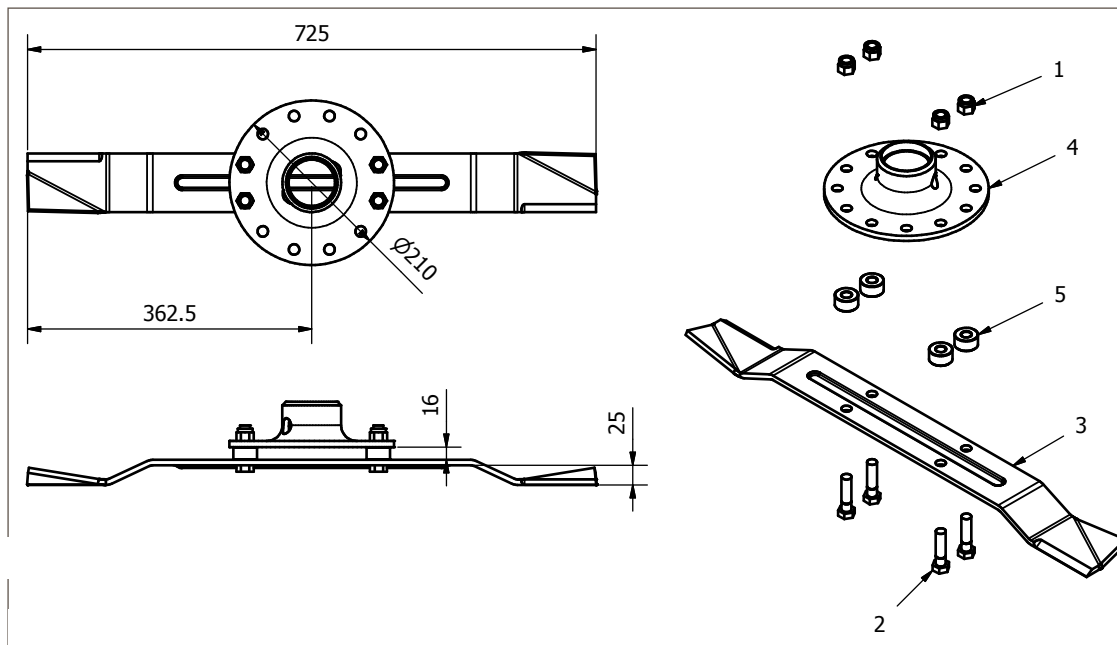
725 Fixed Blade (Anti Clockwise)



MACHINE	QTY
6300	2 OFF
8400	2 OFF
TDR16000	2 OFF
TDR20000	3 OFF

Item	Part No	Description	Qty
1	1/2F	1/2" FINE NYLOC NUT	4
2	12x2FBZP	1/2"x2" FINE BOLT	4
3	8FM8-1L	8400 BLADE (Anti-Cik)	1
4	DF-BMP	BLADE MOUNT	1
5	84RM-BSB	BLADE SPACER BUSH	4

725 Fixed Blade (Clockwise)



MACHINE	QTY
6300	2 OFF
8400	2 OFF
TDR16000	2 OFF
TDR20000	3 OFF

Item	Part No	Description	Qty
1	1/2F	1/2" FINE NYLOC NUT	4
2	12x2FBZP	1/2"x2" FINE BOLT	4
3	8FM8-1R	8400 BLADE (Cik)	1
4	DF-BMP	BLADE MOUNT	1
5	84RM-BSB	BLADE SPACER BUSH	4

PTO Shafts

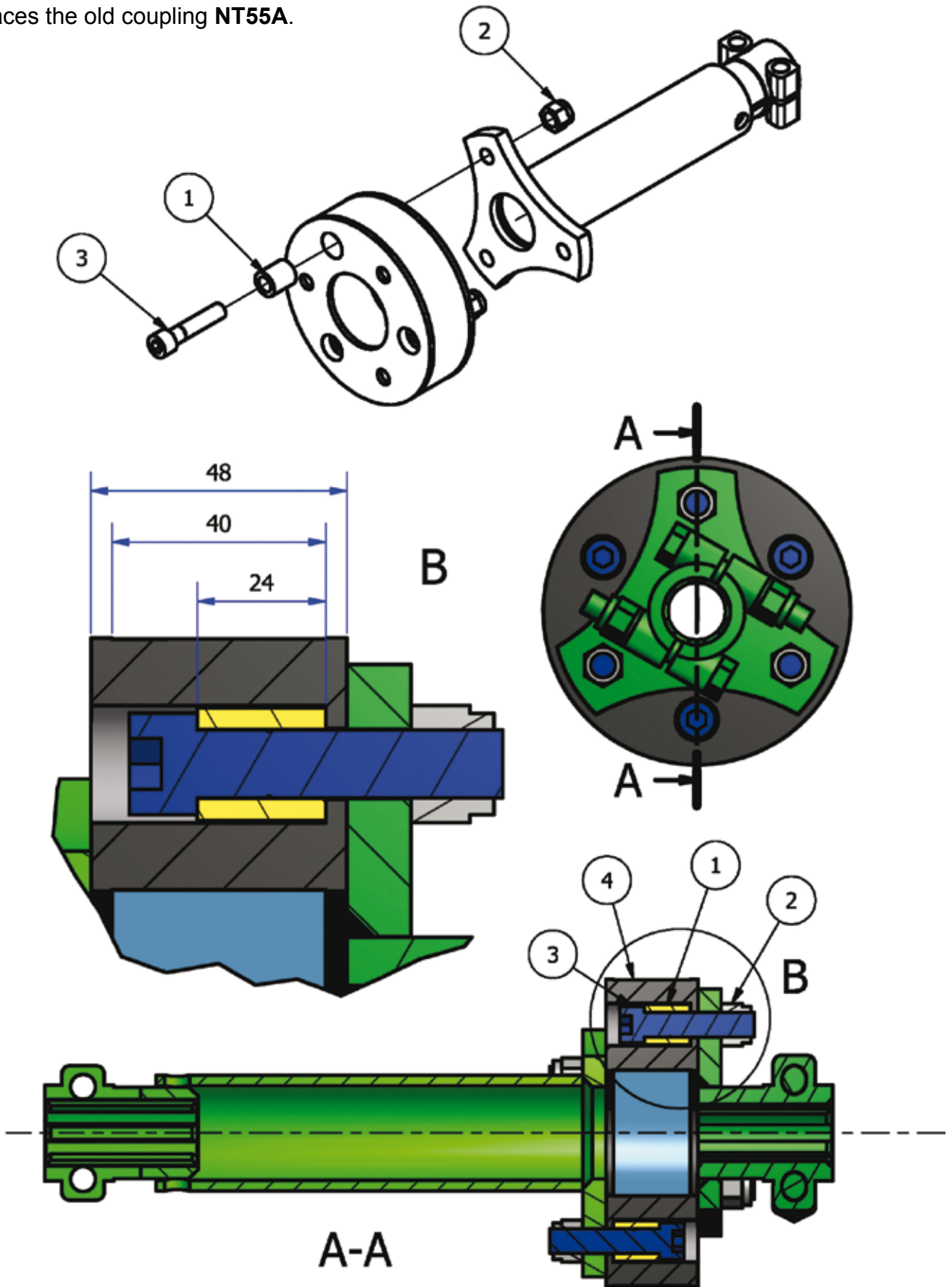
MACHINE	PART NO:	DESCRIPTION:
6000/6300/8000/8400/16000 TDR-REAR DECK	T500810ENC12RW6	T50 SHAFT SLIP CLUTCH
11000 / 15000 ROLLERMOWER WINGS	E50020S132132	WING PTO SHAFT COMPLETE
12000 / 18000 ROLLERMOWER	T50-12W	WING PTO SHAFT COMPLETE
12000 / 18000 ROLLERMOWER	T50-360	T50 - 6 SPLINE / 48mm YOKE
12000 3PL / 12000 / 18000 ROLLERMOWER	V600910ENC12RW6	V60 SHAFT SLIP CLUTCH
16000 / 20000 TDR WING	T500350F132132	T50 SHAFT STANDARD
TDR PRIMARY / 12000 & 18000 R.MOWER	V601210CEC02RW6	V60 SHAFT WIDE ANGLE / SLIP CLUTCH
20000 TDR-REAR DECK	T501060ENC12RW6	T50 SHAFT SLIP CLUTCH

Gearboxes

Machine	Gearbox
6000,8000,12000, 12000GR3PTL, TDR16000	LF205
6300, 8400	LF205H
18000, TDR's,	LF205T
12000, 18000, 12000GR3PTL	LF205T21
6300, 8400	LF205TH
R/mower for Aebi	MR90
TDR wing	S2061
6000, 8000, 6300, 8400,	T27A
6000, 8000, 6300, 8400 - front mounted	T27A1
12000, 12000GR3PTL	T292004
12000, 18000, 12000GR3PTL	T292B

Amended Coupling and Bush Insert

Refers to part number **MJRC-113** PCD Rubber Coupling. Fitted on all machines from 2011 and replaces the old coupling **NT55A**.



Item	Part No	Description	Qty	Item	Part No	Description	Qty
1	MJRC-114	COUPLING BUSHING	6	3	12X214SKS12.9	1/2"x2 1/4" FINE SOCKET HEAD 12.9	6
2	1/2F	1/2" FINE NYLOC NUT	6	4	MJRC-113	113 PCD RUBBER COUPLING	1