

# Operator Manual & Parts List

**MAJOR**  
**OUTFRONT FLAIL**  
**MOWER**

**MJ21-140KU & MJ21-160KU**  
**MJ21-140JD & MJ21-160JD**



## Head Office

Major Equipment Intl. Ltd.  
Ballyhaunis,  
Co. Mayo,  
Ireland.

Tel.: +353 (0) 9496 30572  
Fax: +353 (0) 9496 30788  
Email: [info@major-equipment.com](mailto:info@major-equipment.com)

## UK Office

Major Equipment Ltd.  
Major Industrial Estate,  
Middleton Rd.,  
Heysham,  
Lancs.  
LA3 3JJ

Tel.: +44 (0) 1524 850 501  
Fax: +44 (0) 1524 850 502  
Email: [ukinfo@major-equipment.com](mailto:ukinfo@major-equipment.com)

## NETHERLANDS & GERMANY OFFICE

Major Equipment Intl. Ltd.  
Postbus 29,  
NL-7700 AA ,  
Dedemsvaart,  
Nederland.

Tel: +31 (0) 6389 19585  
Email: [euinfo@major-equipment.com](mailto:euinfo@major-equipment.com)

Web: [www.major-equipment.com](http://www.major-equipment.com)



Find us on FACEBOOK  
MAJOR MACHINERY



View our channel  
MAJOREQUIPMENT

## Disclaimer

While every effort has been made in the production of this manual to ensure that the information contained herein is full and correct, Major assumes no responsibility for errors or omissions.

Major reserves the right to modify the machinery and the technical data contained within the manual without prior notice.

Further to this, Major assumes no liability for any damages which may result from the use of the information contained within this manual.

# Contents

## Introduction

Thank you	1
Using Your Operator's Manual	1
Safety Issues	1

## Product Identification

Machine Serial Numbers	1
Register Your Product and Warranty Online	1

## Safety

Machine Safety Labels	2
Safe Operation	3
Workstation	4
Regulations for use of the transmission	4
PTO Shaft Safety	4
Driving Safely on Public Roads	5
General safety instructions	5
General description of the machine	6

## Operating the Machine

Attaching the mower to a tractor	7
Transport position	7
Working position and adjustment	7

## Maintenance

Adjustment and replacement of the belts	8
Replacement of the flails	9
P.T.O. Maintenance	9
Troubleshooting	10

## Spare Parts

MJ21 Kubota model - General assembly	11
MJ21 John Deere model - General assembly	12
MJ21 Wheel Assembly	13
MJ21 Buffer Stop	13

## **EEC certificate of conformity for machines**

*(conforming to Directive 98/37/EEC)*

Company: Major Equipment Ltd.  
Address: Coolnaha,  
Ballyhaunis,  
Co. Mayo,  
Ireland.  
Tel. +353949630572  
Fax +353949630788


*declares in sole responsibility that the product:*

### **OUTFRONT FLAIL MOWER**

When properly installed, maintained and used only for it's intended purpose, complies with all the essential Health & Safety requirements of:

- **THE SUPPLY OF MACHINERY (SAFETY) REGULATIONS 2008.**
- **S.I. No. 299 of 2007**, Safety, Health and Welfare at Work (General Application) Regulations 2007 (Ireland).
- **Health & Safety at Work, etc. Act 1974 (c.37) (UK).**
- **EN ISO 14121-1: 2007** "Safety of machinery. Principles for risk assessment".
- **EN 745** - Agricultural Machinery - Rotary Mowers and Flail Mowers - Safety.
- **EN ISO 13857** - Safety of machinery: Safety distances to prevent hazard zones being reached by upper and lower limbs.
- **89/392/EEC, 91/368/EEC, 93/44/EEC, 93/68/EEC, EN292, EN 704**

I certify on behalf of Major Equipment Int. Ltd., that this machine when properly installed and operated correctly, complies with all the essential Health & Safety requirements of all legislation referred to above.

Signature :   
\_\_\_\_\_  
Managing Director

Date 12/01/2012

# Introduction

## Thank you

We appreciate having you as a customer and wish you many years of safe and satisfied use of your machine.

## Using Your Operator's Manual

This manual is an important part of your machine and should remain with the machine when you buy it. Reading your operator's manual will help you and others avoid personal injury or damage to the machine. Information given in this manual will provide the operator with the safest and most effective use of the machine.

Sections in your operator's manual are placed in a specific order to help you understand all the safety messages so you can operate this machine safely. You can also use this manual to answer any specific operating or servicing questions.

## Safety Issues

Your manual contains special messages to bring attention to potential safety concerns, machine damage as well as helpful operating and servicing information. Please read all the information carefully to avoid injury and machine damage.

# Product Identification

## Machine Serial Numbers

If you need to contact MAJOR or your MAJOR dealer for information on servicing or spare parts, always provide the product model and serial numbers.

We suggest that you record your machine details below:

Model No: \_\_\_\_\_

Serial No: \_\_\_\_\_

Date of Purchase: \_\_\_\_\_

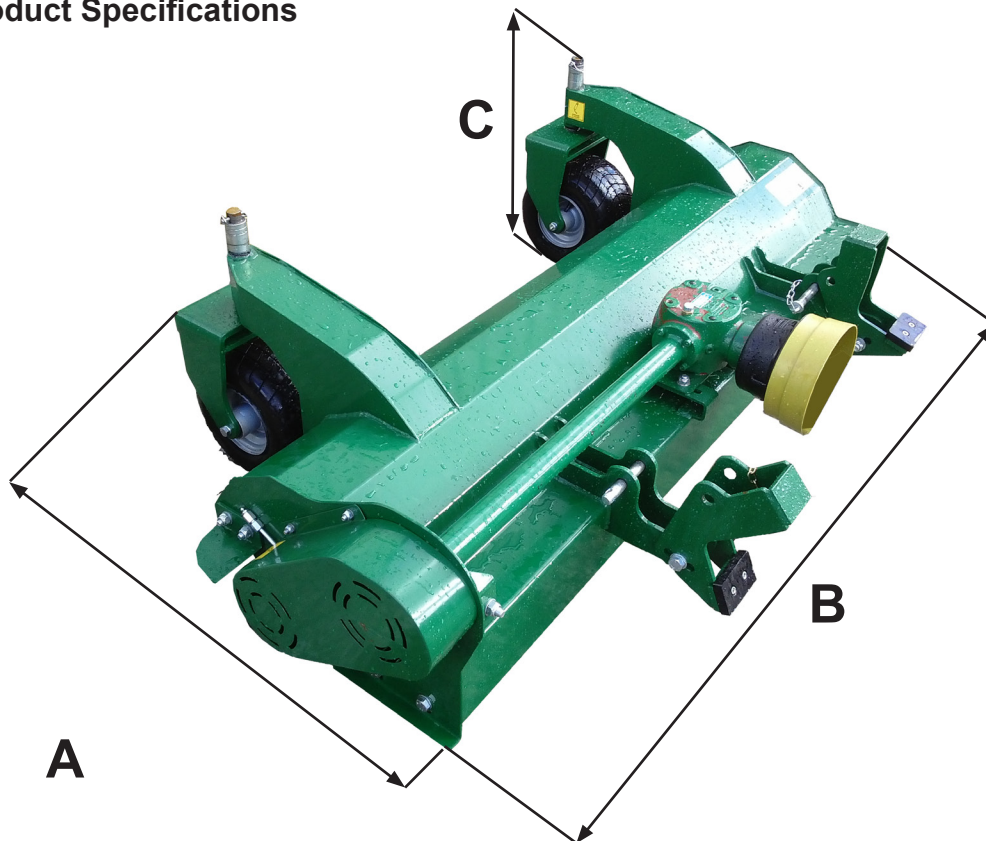
Dealer Name: \_\_\_\_\_

Dealer Telephone: \_\_\_\_\_

## Register Your Product and Warranty Online

To register your product through the Internet, simply go to the Support section on [www.major-equipment.com](http://www.major-equipment.com). Completing the information, either online or with the product warranty card, will ensure the customer that their product receives all post sales service and important product information.

## Product Specifications



Model	MJ21-140KU	MJ21-160KU	MJ21-140JD	MJ21-160JD
Working width (mm)	1400	1600	1400	1600
A (mm)	1000	1000	1000	1000
B (mm)	1520	1720	1520	1720
C (mm)	640	640	640	640
Weight (kg)	185	225	185	225
PTO (RPM)	2545	2545	2100	2100
Required power (HP)	25	25	25	25
No. of Belts	3	3	3	3
No. of Hammers	24	28	24	28

## Safety

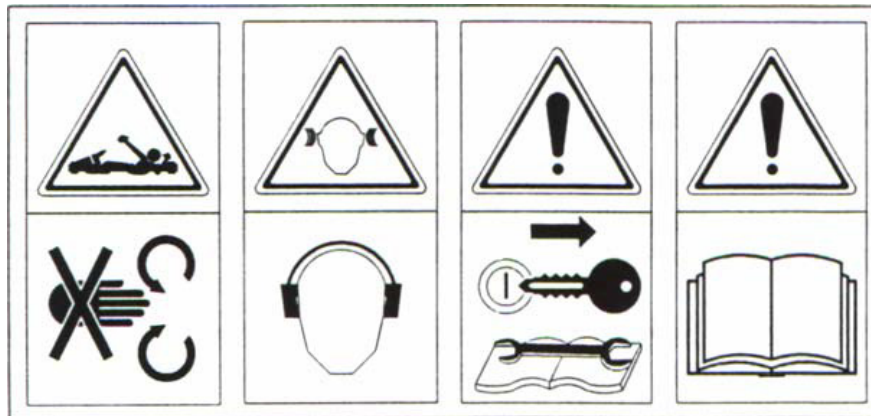
### Machine Safety Labels

The machine safety labels shown in this section are placed in important areas on your machine to draw attention to potential safety hazards.



On your machine safety labels, the words DANGER, WARNING, and CAUTION are used with this safety-alert symbol. DANGER identifies the most serious hazards.

The operator's manual also explains any potential safety hazards whenever necessary in special safety messages that are identified with the word, CAUTION, and the safety-alert symbol.



## Safe Operation

This machine is designed to operate at a specific RPM as stated in a specification table. Ensure tractor PTO output is set at a correct RPM. This machine must only be used for cutting grass. Moreover, it must only be used with a suitable tractor (see product specifications) and driven by an adequate drive-line by the tractor PTO. All other use is strictly prohibited.



Users should become thoroughly familiar with the contents of this manual before using, servicing and mounting the implement to the tractor and all other pertinent operations. Never wear jewellery, loose clothing such as ties, scarves, belts, unbuttoned jackets or dungarees with open zips which could become caught up in moving parts.



Always wear approved garments complying with accident prevention provisions such as non-slip shoes, ear muffs, goggles and gauntlets. Wear a jacket with reflecting stickers if the implement is used near public highways.



Consult your retailer, the Labour Health Service or your nearest equivalent authority for the information about the current safety provisions and specific regulations with in order to ensure personal safety.



**ALWAYS DISENGAGE PTO, SWITCH OFF THE TRACTOR ENGINE AND ENGAGE THE PARKING BRAKE BEFORE MAKING ADJUSTMENT TO THE MACHINE.**



**NEVER PLACE LIMBS UNDER THE MACHINE WHILE THE ROTOR STILL TURNING. IT CAN REMAIN TURNING FOR UP TO 1 MINUTE AFTER DISENGAGING PTO.**

## Workstation

The operator must remain seated while working the machine. When the wings need to be raised and lowered the operator must leave the tractor. Always ensure the PTO has been turned off and the parking brake applied before leaving the tractor cab. The operator must always apply the parking brake, and turn off the engine before leaving machine or carrying out maintenance.



NEVER OPERATE THE HYDRAULICS WITH THE TRACTOR SWITCHED OFF

## Regulations for use of the transmission

The transmission to the gearboxes is protected throughout the machine by both PTO shafts and bolt down covers. All guarding should be kept efficient and in good condition. If the condition is poor, the guarding should be renewed before the implement is used.

UNLESS IT IS CORRECTLY PROTECTED THE TRANSMISSION COULD CAUSE DEATH SINCE IT CAN CATCH ON PARTS OF THE BODY OR CLOTHING

Ensure retaining chains are correctly anchored on all PTO shafts, preventing them from turning. Ensure drive line can turn easily within the shield. Keep spline grooves clean and greased so that PTO shaft can connect easily. Besides being described in this manual, the method by which the PTO shaft is connected to the tractor must be checked out with the instructions in the tractor manufacturer's manual.

## PTO Shaft Safety

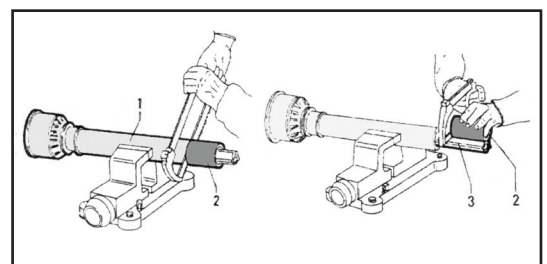
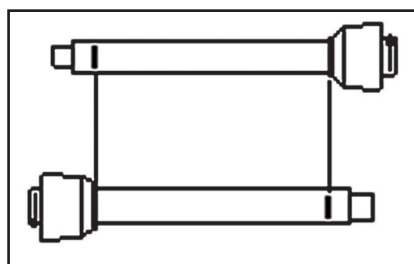
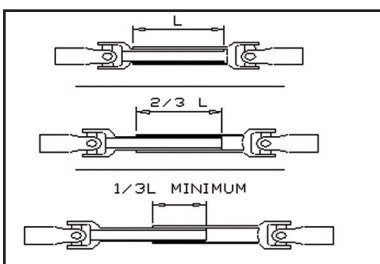
Contact your nearest dealer or a specialised retail outlet if the PTO must be replaced with a longer one, since this must belong to the same power category and possess the same characteristics. An unsuitable PTO could easily break.

The tractor PTO shaft length may be altered to suit the individual tractor model. When the machine is in operation, the PTO shaft should have a minimum 1/3 engagement as shown in the diagrams. After the topper has been hitched to the tractor, it should be checked in various positions that the drive line is the correct length. If the PTO is too short and tends to slip out of place, it must be replaced with a longer one.

If the PTO shaft is too long, it should be shortened in the following way:

- Set the machine at a minimum distance from the tractor, then brake the tractor and switch off the engine.
- Separate the two halves of the PTO. Insert the female part into the tractor PTO and the male part into the topper PTO, checking that the position is correct by means of the fixing pins.
- Line up the two halves of the PTO together, keeping them parallel.
- Using a felt tip pen, match mark the place where the two halves must be shortened as shown.
- First cut shield "1" and use part "2" as a reference to cut the splined shaft.
- Proceed in the same way for the second half.
- Trim and chamfer the two cut ends of the PTO and clean off all swarf and shavings.
- Grease the two profiles and join the two halves of the PTO together.
- Mount the PTO shaft and check that its length is correct as before.

The shaft must not reach the end of the tube or project from this. Ensure the PTO does not bottom when turning.





## Driving Safely on Public Roads

Check the local Highway Code regulations before driving the tractor on public highways with a towed implement. Check the reflectors, hazard flashers and/or projecting load indicators are installed when required and efficient. These indicators must be installed correctly and easily seen by the drivers of other vehicles.

Bystanders must not be allowed to lean against or climb onto the machine during transport or while working. Do not allow bystanders to ride on the machine.



MAXIMUM TRANSPORT SPEED MUST NOT EXCEED 30 km/hr (18 MPH)

## General safety instructions

**Please read carefully this section in order to avoid accidents:**

- 1) Besides reading the operators manual, it is necessary to follow the general instructions relevant to safety, as prescribed by the Country Laws for the users of the agricultural machines.
- 2) Follow the instructions given by the stickers on the machines, especially the stickers relevant to safety.
- 3) Operate the machine only if it lies on the ground and it is parallel to it.
- 4) Never exceed the rpm indicated on the machine(540 rpm).
- 5) Fasten the shaft cover by means of the chains to avoid the rotation of the cover of the shaft.
- 6) Lower the machine to the ground before you operate it and check that nobody is in the working area of the machine.
- 7) Before beginning working, make sure that all the safety devices are correctly fitted and efficient before working.
- 8) Be careful when you work on stony fields and make sure that nobody stands close the working machine.
- 9) Before any maintenance, make sure that all the rotating devices are still and turn off the engine of the tractor, remove the key and apply handbrake.
- 10) During the transport on the roads, please observe the Highway Code Rules.
- 11) Be careful when connecting and disconnecting the machine.
- 12) Before leaving the tractor, stop the machine and lower it down on the ground. Turn off the engine of the tractor, remove the engine key and apply handbrake.
- 13) Before connecting or disconnecting the machine with the 3 point linkage lock the hydraulic raising device of the tractor to avoid it being activated.
- 14) Check the maximum allowed weights for the 3 point linkage connection.
- 15) The assembly and disassembly of the shaft shall be done only if the PTO is disconnected.
- 16) Before switching on the PTO make sure that the power and the rotation of the PTO of the tractor are suitable for the machine.
- 17) Never connect the PTO when the engine is turned on.
- 18) Before connecting the PTO make sure that nobody stands in the working area.
- 19) Nobody shall stand close the PTO when it is connected.
- 20) Before approaching the machine, check that it is completely still and that the engine of the tractor is turned off and the PTO is disconnected.
- 21) Periodically check the correct tightening of the screws and nuts, if necessary tighten them.
- 22) When the machine is raised for maintenance, make sure that the machine is safely and suitably supported. If repairs are necessary, please ask to the authorised workshops.
- 23) Dispose of lubricants respecting the laws which protect the environment.

Precautions to be taken while working with the machine:

- 1) Do not operate the machine when you are tired;
- 2) Before starting mowing, make sure that the area is clear of people or animals.
- 3) Before starting adjusting the machine, it is mandatory to disconnect the PTO, to turn off the engine of the tractor, apply handbrake and wait for the rotor to become still and placed on the ground.
- 4) It is mandatory to read all the safety requirements and the operator's manual of the machine.
- 5) If you are not sure how to use the machine, please contact the manufacturer or the dealer.



While operating the machine do not exceed the speed of 10 km/h

## General description of the machine

This machine mainly consists of a steel frame which is the support for all the other components of the machine; it is designed to guarantee a perfect chopping of the product without having to use excessive power and complying with safety regulations.

The machine is designed to be installed on the front part of the tractor. The machine must be connected to the tractor by using a special linkage connection.

Inside the main body there is a rotor which is supported by two high resistance bearings and it is operated by transmission belts. The rotor is dynamically balanced to obtain a correct rotation with no vibrations. The rotor is equipped with flails, which assure the perfect chopping of the product and good ventilation.

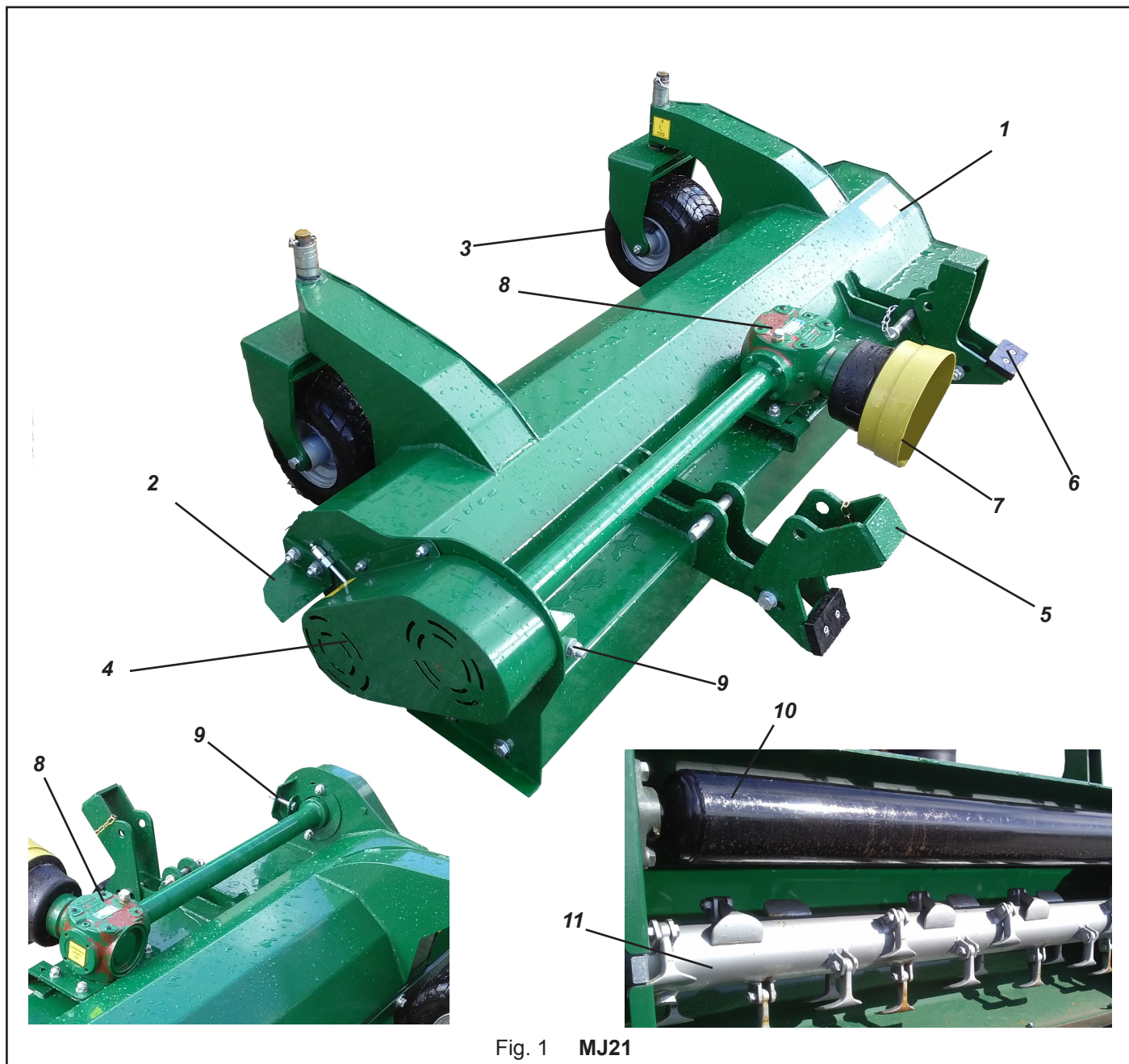


Fig. 1 MJ21

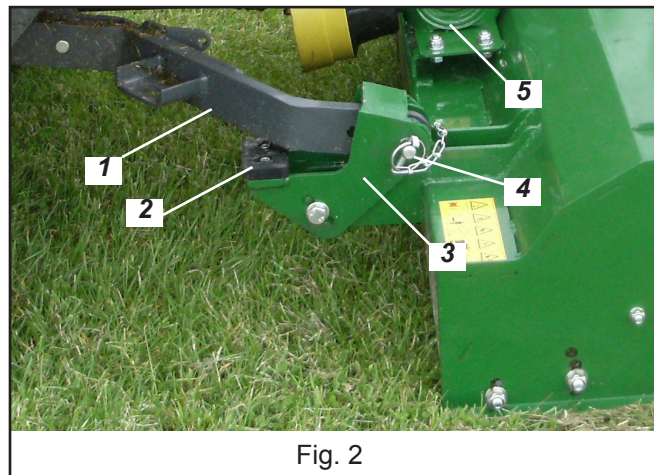
- |                         |                |                  |
|-------------------------|----------------|------------------|
| 1 Body                  | 5 Linkage arm  | 9 Belt tensioner |
| 2 Belt protection plate | 6 Nylon buffer | 10 Roller        |
| 3 Castor wheel          | 7 PTO cover    | 11 Rotor         |
| 4 Belts cover           | 8 Gearbox      |                  |

# Operating the Machine

## Attaching the mower to a tractor

Please follow the instructions below when connecting the machine to the tractor:

1. With the machine located on the level ground drive in slowly and locate tractor arms 1 inside the linkage bracket 3.
2. Rest tractor arms 1 on the nylon buffer 2 and secure the position with pin 4.
3. Connect the PTO shaft to the gearbox 5.



## Kubota Tractor adjustment

To ensure safe operation of the machine, rubber buffers should be bolted on to the tractor lift arms (Fig.3). These rubber buffers are supplied with the mower and will stop the lift arms lifting full height.



## Transport position

During the transport and any time the machine shall be raised, the raising device shall be adjusted to assure that the machine is 250mm over the ground.



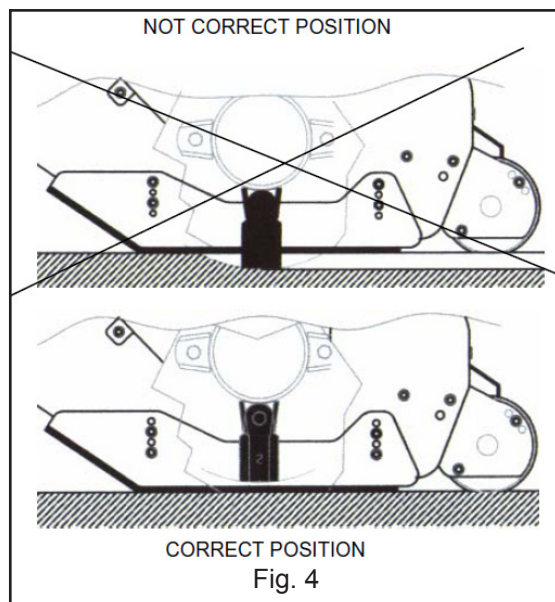
Before raising the machine wait until the transmission and the rotor are completely still



During the transport of the machine the PTO shaft must be disconnected.

## Working position and adjustment

Before making any adjustments to the machine, turn off the tractor engine, remove the key and apply the handbrake. Make sure that the machine is parallel to the ground. When mowing make sure that the flails do not touch the ground (Fig.4).



## Maintenance

Any time you perform maintenance the following instructions are mandatory:

- Disconnect the PTO
  - Put the machine down onto the ground
  - Never stand behind the machine when the tractor is running.
- 1) With the whole machine as level as possible, check the oil level in the Primary Gearbox, top up as required with SAE EP90 gear oil through the oil filler plug indicated.
  - 2) After every 50 hours grease all the grease points of the machine.



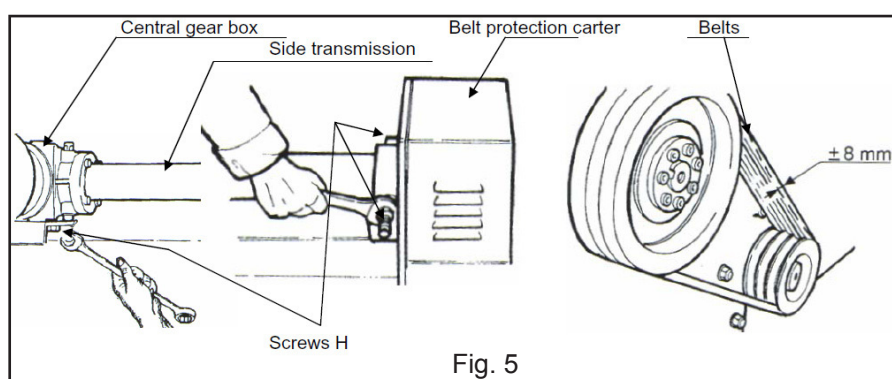
Always disengage PTO, Switch off tractor engine and engage the parking brake before making adjustment to the machine

### Adjustment and replacement of the belts

The belts shall be checked and adjusted after the first 5 working hours. The next check of the belt tension shall be done after every 50 working hours.

#### Operations for the removal and adjustment of the belts:

- 1) Remove the guard which protects the belts;
- 2) Loosen the locking bolts which lock the gear box and the side transmission (screws H).
- 3) The belts must be removed one by one and be replaced by a new kit.
- 4) Check the tension of the belts at the central point; apply a force of about 9kg at the centre to obtain a deviation of about 8mm.
- 5) Tighten the locking screws of the gear box checking that the axis is parallel to the machine. If the transmission is not parallel to the machine, the belts wear out quickly.
- 6) Correctly assemble the transmission and fasten the guard to protect the belts.



## Replacement of the flails

After every 100 working hours, check the condition of flails. If some flails are worn or broken or missing, the complete flail kit shall be replaced. If only some flails are replaced, the others could unbalance the rotor during the operation of the machine and high vibrations could arise and damage the machine or the rotor.

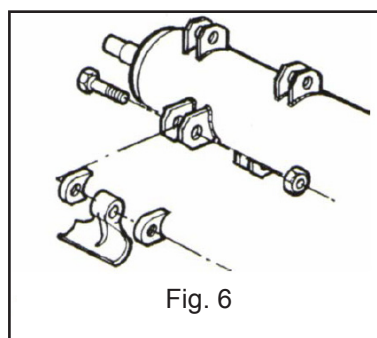
IT IS VERY IMPORTANT TO CHECK ALSO IF THE BOLTS ARE WORN, IF THEY ARE WORN IT IS MANDATORY THAT THEY ARE SUBSTITUTED BY MANUFACTURER'S ORIGINAL BOLTS.



Do not replace the flails by rising the machine by means of the tractor: it is extremely dangerous for your and other people's safety.

In order to change flails, please follow the instructions below:

- 1) Disconnect the machine from the tractor.
- 2) Turn the machine on the side on a perfectly plain ground.
- 3) Replace the flails as shown in Fig. 6. Carefully tighten the bolts.
- 4) When the flails are replaced, carefully lower the machine.



## P.T.O. Maintenance

The machine must always be disconnected from the tractor before any cleaning, lubricating and servicing operations can be carried out. Maintenance must be carried out by qualified personnel

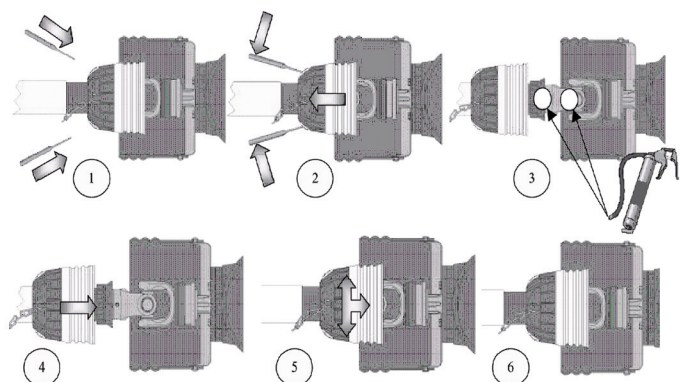
If emergency operations are required whilst the machine is connected to the tractor, switch off the engine, engage the parking brake and disengage the PTO.

Good, regular maintenance and correct use are if the topper is to remain safe and long lasting.

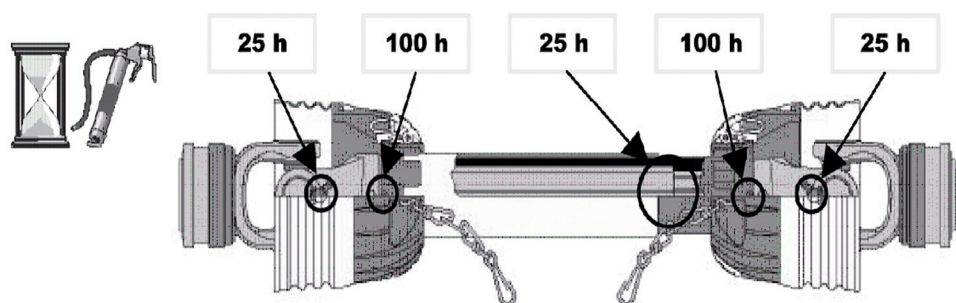
### PTO Shaft Maintenance

Guard Removal and Yoke End Greasing

1. Prise back locking tabs
2. Pull back PTO Guard
3. Grease points as shown
4. Push Guard into position
5. Click into place
6. Tie check chain



### PTO Guard Greasing Intervals

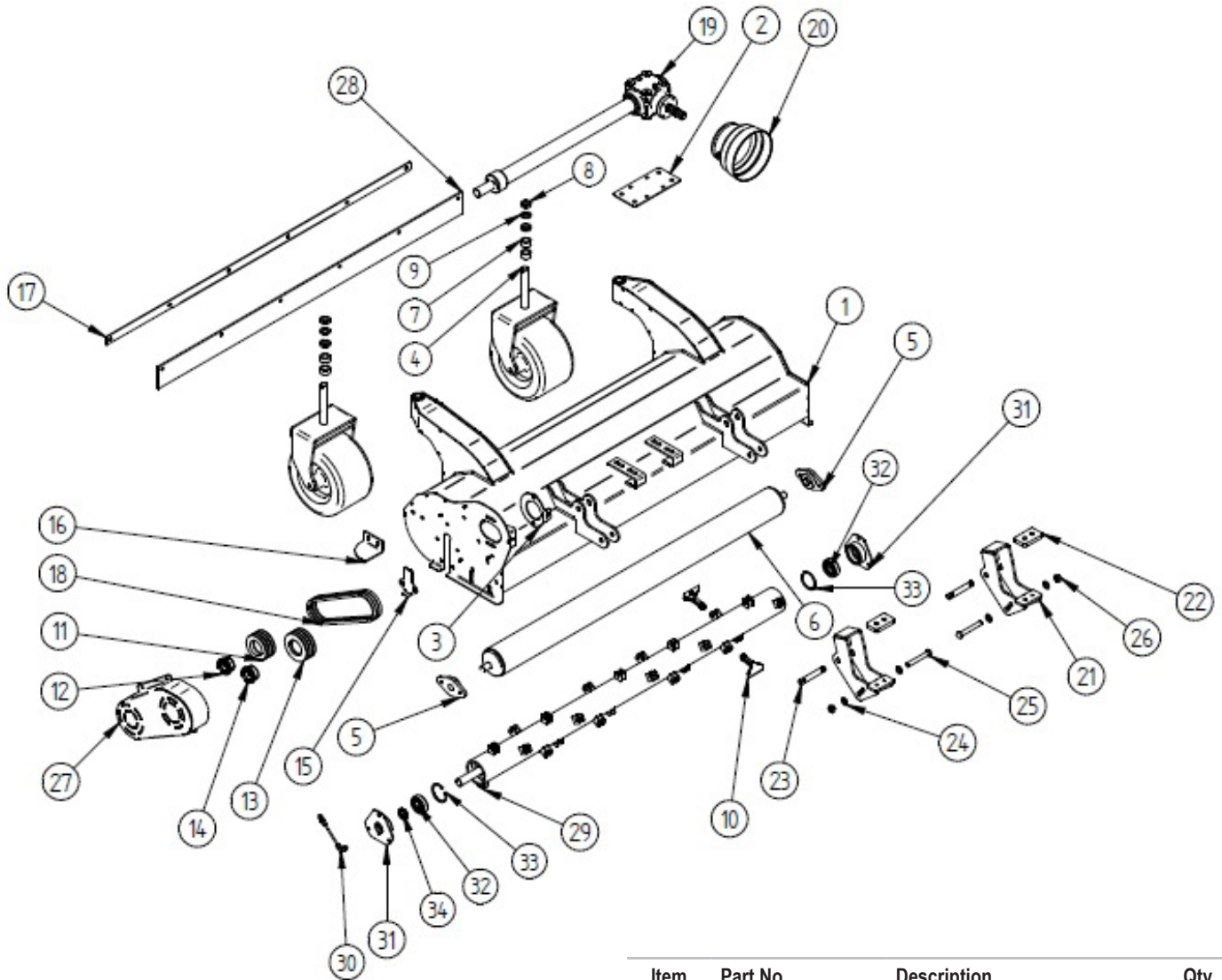


## Troubleshooting

Fault	Cause	Remedy	
Leaves a streak of uncut or partially cut grass	Carrier RPM too low	Use correct PTO speed	
	Ground speed too fast	Reduce ground speed by shifting to a lower gear	
	Possible build-up materials under machine	Clean the machine	
	Blades mounted incorrectly (cutting edge against direction rotation)	Change blades so that cutting edge is facing correct rotation.	
Material discharges from machine unevenly; bunches of material along with swath	Material too high and too much material	Reduce ground speed but maintain tractor PTO or make two passes over material. Raise mower for the first pass and lower to desired height for the second and cut a 90 degree angle to first pass	
Gearbox overheating	Low on lubricant	Fill to proper level	
	Improper type lubricant	Replace with proper lubricant	
Flails are scalping the ground	Machine too low	Raise the machine	
	Field is ridged	Cut field at a different angle	
	Field is too wet	Stop and wait until it is dried	
Machine will not cut.	Shear bolt sheared	Install new shear bolt	
Flails wear too fast	Cutting in sandy conditions	Increase cutting height	
	Cutting in rocky conditions	Increase cutting height	
	Flails hitting ground	Increase cutting height	
Machine seems to require excessive power	Advancing into grass too rapidly	Reduce forward travel speed	
	Hitting ground	Raise the machine	
	Worn or dull flails	Sharpen or replace flails	
	Tractor not large enough	Use larger horsepower tractor	
	Belts are torn	Replace belts	
Excessive vibration	Check gearbox bolts	Tighten if loose	
	Wires around the rotor	Clean the rotor	
	Flails broken	Replace flails in sets	
	New flail or bolts matched with worn flails or bolts	Replace blades or bolts in sets	
	Damage to the rotor or the driveline of the machine	Phase the driveline. Verify the balance of the rotor of the machine by authorised workshop.	
	Worn bearing	Replace bearings	
Noisy machine	Worn bearing	Replace bearings	
	Low oil in gearbox	Check level and add oil	
	Loose Parts	Check all bolts are fully tightened	
	Wrong PTO rpm rate	Check PTO rate & adjust as necessary	
	Rotors bent / broken	Replace bent or missing blades	
	Bent PTO shaft	Check PTO shafts are aligned correctly	
		Check output shaft on gearboxes are not bent	
Check driveline between gearbox and pulley is aligned.			
Gearbox leaking	Damaged oil seal	Replace seal	
	Bent shaft	Replace oil seal and shaft	
	Shaft rough in oil seal area	Replace or repair shaft	
	Oil seal installed incorrectly	Replace seal	
	Oil seal not sealing in the housing	Replace seal or use a sealant on outside diameter of seal	
	Oil level too high	Drain oil to proper level	
	Hole in gearbox	Replace the gearbox	
	Gasket damaged	Replace gasket	

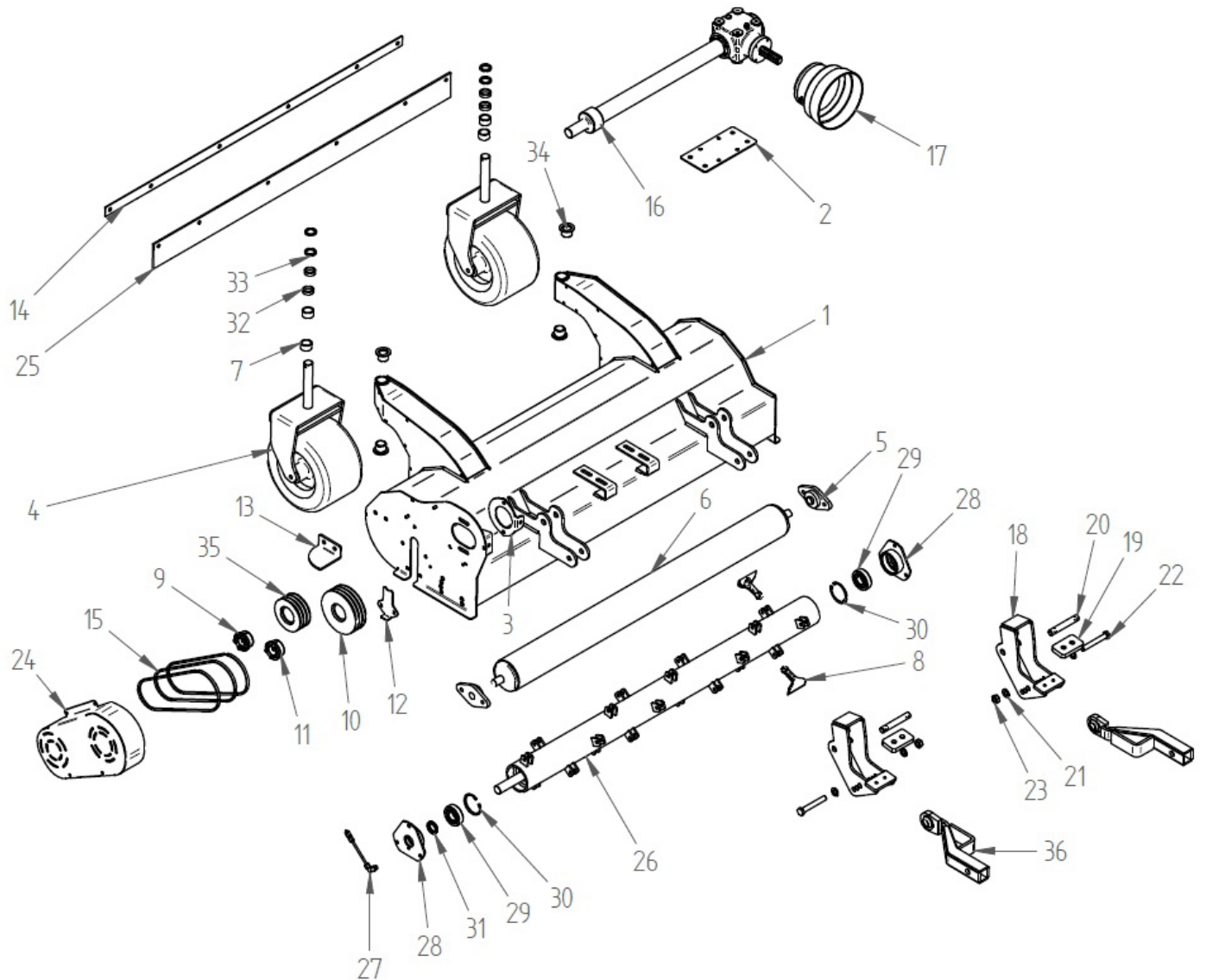
# Spare Parts

## MJ21 Kubota model - General assembly



Item	Part No.	Description	Qty
1	TFM-GA	Body MJ21-140	1
1	TFM160-GA	Body MJ21-160	1
2	TFM-B008	Gearbox mounting plate	1
3	TFM-B010_1	Ring	1
4	TFM-B013_1	Wheel assembly	2
5	TFM-B027	Roller bearing	2
6	TFM-B022	Roller MJ21-140	1
6	TFM160-B022	Roller MJ21-160	1
7	32201581	Spacer Ø 38/25.4 x 20	4
8	32201582	Spacer Ø 38/25.4 x 10	4
9	32201583	Spacer Ø 38/25.4 x 5	2
10	53002009	Flail MJ21-140	24
10	53002009	Flail MJ21-160	28
11	5200000168	Pulley SPA 100/3-55	1
12	5200000169	Locking ring 30/55	1
13	1700000116	Pulley SPA 112/3-55	1
14	1700000117	Locking ring 35/55	1
15	5500000602	Locking plate cover	1
16	TFM-B032	Top plate	1
17	TFM-B012	Guard bar MJ21-140	1
17	TFM160-B012	Guard bar MJ21-160	1
18	TFM-B028-1	Vee belt	3
19	Gearbox_140	Gearbox 715 MJ21-140	1
19	Gearbox_160	Gearbox 815 MJ21-160	1
20	613	PTO cover	1
21	TG-100-RGA_1	Linkage bracket	2
22	TG-100-05	Nilon buffer	2
23	TFM-P130x20	Pin	2
24	FWM16	Flat washer M16	4
25	M16x110	M16x110 Bolt	2
26	M16	M16 Lock nut	2
27	TFM-B035	Belt cover	1
28	TFM-B042	Rubber guard 140	1
28	TFM160-B042	Rubber guard 160	1
29	5514005205	Rotor MJ21-140	1
29	5516005205	Rotor MJ21-160	1
30	1000005201	Grease kit	1
31	5500005201	Rotor bearing plate	2
32	1600000906	Rotor Bearing	2
33	55115	Circlip	2
34	5500000405	Seal	1

# MJ21 John Deere model - General assembly

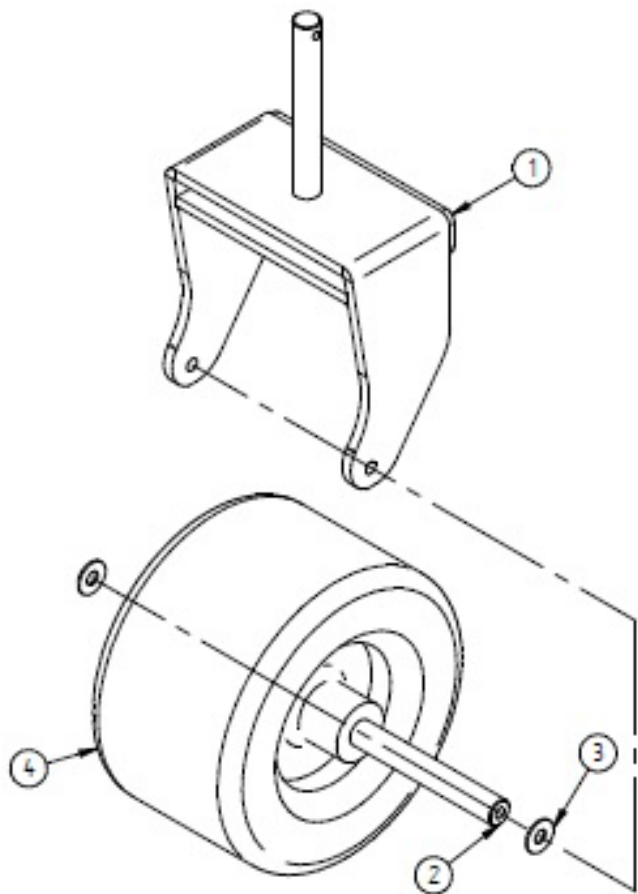


Item	Part No.	Description	Qty
1	TFM-GA_5	Body MJ21-140JD	1
2	TFM-B008	Gearbox mounting plate	1
3	TFM-B010_1	Ring	1
4	TFM-B013_2	Wheel assembly	2
5	TFM-B027	Roller bearing	2
6	TFM-B022	Roller MJ21-140	1
7	TFM-B044	Spacer Ø 38/30.5 x 20	4
8	53002009	Flail MJ21-140	24
9	5200000169	Locking ring 30/55	1
10	0000000344	Pulley 150/3-50	1
11	1700000117	Locking ring 35/55	1
12	5500000602	Locking plate cover	1
13	TFM-B032	Top plate	1
14	TFM-B012_1	Guard bar MJ21-140JD	1
15	TFM-B028_1	Vee Belt	3
16	Gearbox_140	Gearbox 715 MJ21-140JD	1
17	0000000613	PTO cover	1
18	TG-100-RGA_1	Linkage bracket	2

Item	Part No.	Description	Qty
19	TG-100-05	Nilon buffer	2
20	TFM-P130x20	Pin	2
21	FWM16	Flat washer M16	4
22	M16x110	M16x110 Bolt	2
23	M16	M16 Lock nut	2
24	TFM-B035_1	Belt cover	1
25	TFM-B042	Rubber guard 140	1
26	5514005205	Rotor MJ21-140	1
27	1000005201	Grease kit	1
28	5500005201	Rotor bearing plate	2
29	1600000906	Rotor Bearing	2
30	0000000409	Circlip I72	2
31	5500000405	Oil seal 30x42x7	1
32	TFM-B045	Spacer Ø 38/30.5 x 10	4
33	TFM-B046	Spacer Ø 38/30.5 x 5	4
34	0000031128	Flange bush	4
35	0000000345	Pulley SPA 112/3-50	1
36	TFM-JDGA	JD Lifting arm	2



## MJ21 Wheel Assembly



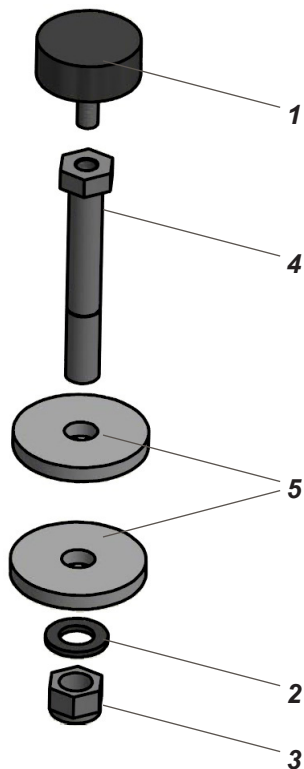
MJ21 Wheel Assembly (Kubota model)

Item	Part No.	Description	Qty
1	TFM-B016_1	Wheel Bracket 25.4	1
2	TFM-B021	Shaft	1
3	TFM-B014	Washer	2
4	11x7.10/5WH	11X7.10/5 Wheel	1

MJ21 Wheel Assembly (John Deere model)

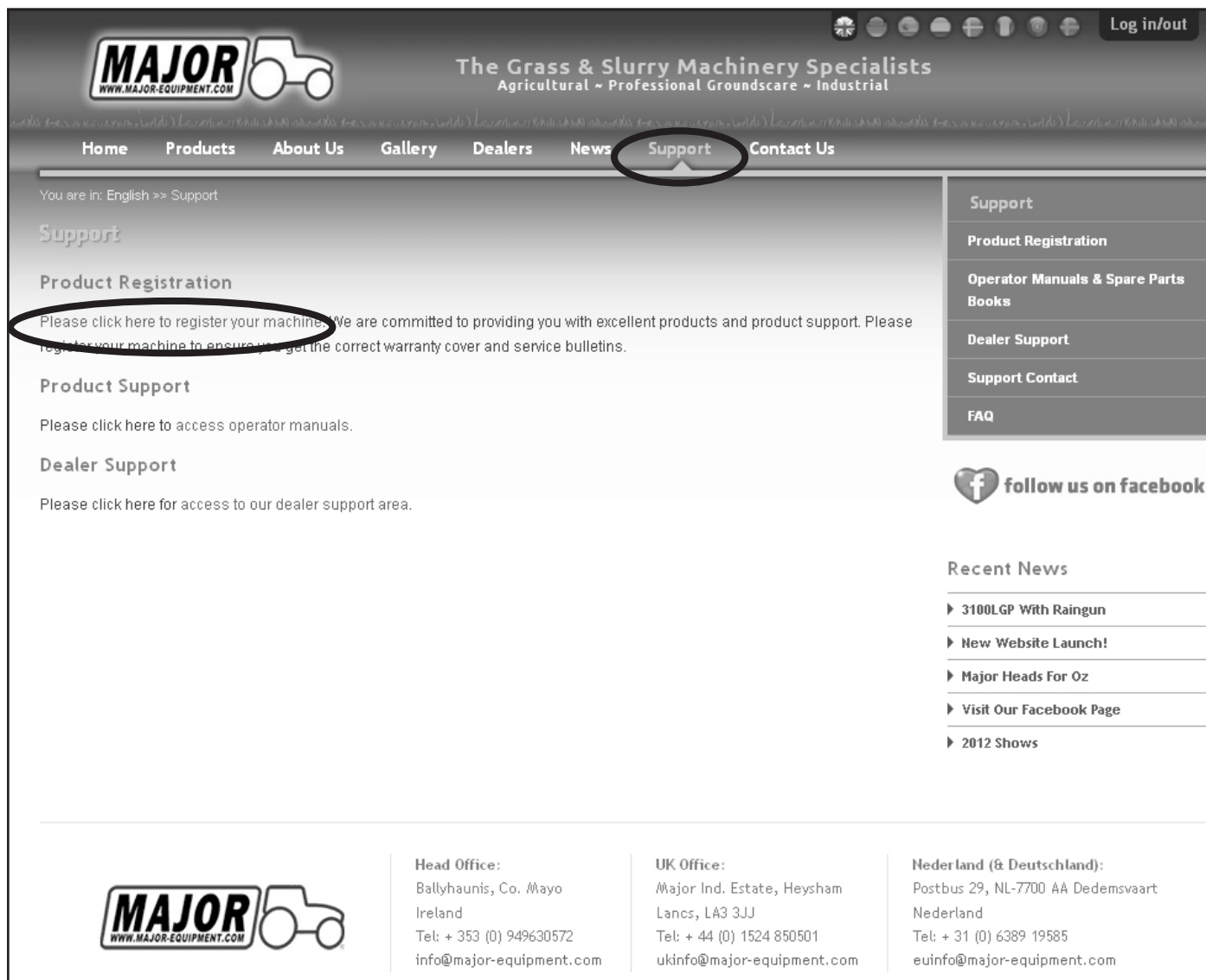
Item	Part No.	Description	Qty
1	TFM-B016_2	Wheel Bracket 30.5	1
2	TFM-B021	Shaft	1
3	TFM-B014	Washer	2
4	11x7.10/5WH	11X7.10/5 Wheel	1

## MJ21 Buffer Stop



Item	Part No.	Description	Qty
1	5020D28	Dia 50x20xM10 buffer	1
2	FWM16	M16 Flat washer	1
3	M16	M16 nyloc nut	1
4	M16x110BZP-M	M16x110 Bolt	1
5	TFM-W65X16X8	Spacer washer	2

Warranty: This machine is guaranteed for 12 months. No warranty is given where the machine is being used as a hire machine. Warranty is against faulty workmanship or parts, with the exception of components not of MAJOR'S manufacture or design, i.e. hydraulic components, universally jointed shafts, chains and tyres, etc., which are subject to the original manufacturers conditions. To register your machine for warranty, please go to the support section of our website [www.major-equipment.com](http://www.major-equipment.com) and enter your details.



**MAJOR**  
WWW.MAJOR-EQUIPMENT.COM

The Grass & Slurry Machinery Specialists  
Agricultural ~ Professional Groundscare ~ Industrial

Home Products About Us Gallery Dealers News **Support** Contact Us

You are in: English >> Support

### Support

#### Product Registration

Please click here to register your machine. We are committed to providing you with excellent products and product support. Please register your machine to ensure you get the correct warranty cover and service bulletins.

#### Product Support


Please click here to access operator manuals.

#### Dealer Support

Please click here for access to our dealer support area.

#### Support

- Product Registration
- Operator Manuals & Spare Parts Books
- Dealer Support
- Support Contact
- FAQ

 follow us on facebook

#### Recent News

- ▶ 3100LGP With Raingun
- ▶ New Website Launch!
- ▶ Major Heads For Oz
- ▶ Visit Our Facebook Page
- ▶ 2012 Shows

**MAJOR**  
WWW.MAJOR-EQUIPMENT.COM

**Head Office:**  
Ballyhaunis, Co. Mayo  
Ireland  
Tel: + 353 (0) 949630572  
info@major-equipment.com

**UK Office:**  
Major Ind. Estate, Heysham  
Lancs, LA3 3JJ  
Tel: + 44 (0) 1524 850501  
ukinfo@major-equipment.com

**Nederland (& Deutschland):**  
Postbus 29, NL-7700 AA Dedemsvaart  
Nederland  
Tel: + 31 (0) 6389 19585  
euinfo@major-equipment.com



**HEAD OFFICE**

**Major Equipment Intl Ltd**  
Ballyhaunis, Co Mayo  
Ireland  
Tel: +353 (0) 9496 30572

**UK OFFICE**

**Major Equipment Ltd**  
Major Ind. Estate, Heysham,  
Lancs, LA3 3JJ, UK  
Tel: +44 (0) 1524 850501

**Netherlands & Germany OFFICE**

**Major Equipment Intl Ltd**  
Postbus 29, NL-7700 AA  
Dedemsvaart, Nederland  
Tel: + 31 (0) 6389 19585