

Operator Manual & Parts List

MAJOR Verge Mowers

Verge Major 1400
Verge Major 2000
Verge Major 2650



Head Office

Major Equipment Intl. Ltd.,
Ballyhaunis,
Co. Mayo,
Ireland.

Tel.: +353 (0) 9496 30572
Fax: +353 (0) 9496 30788
Email: info@major-equipment.com

UK Office

Major Equipment Ltd.
Major Industrial Estate,
Middleton Rd.,
Heysham,
Lancs.
LA3 3JJ

Tel.: +44 (0) 1524 850 501
Fax: +44 (0) 1524 850 502
Email: ukinfo@major-equipment.com

NL & GERMANY OFFICE

Major Equipment Intl. Ltd.,
Postbus 29,
NL-7700 AA,
Dedemsvaart,
Nederland.

Tel: +31 (0) 6389 19585
Email: euinfo@major-equipment.com

Web: www.major-equipment.com



Find us on Facebook
Search for "Major Machinery"



Visit our channel MAJOREQUIPMENT on www.youtube.com

Disclaimer

While every effort has been made in the production of this manual to ensure that the information contained herein is full and correct, Major assumes no responsibility for errors or omissions.

Major reserves the right to modify the machinery and the technical data contained within the manual without prior notice.

Further to this, Major assumes no liability for any damages which may result from the use of the information contained within this manual.

Contents

Introduction

Thank you	1
Using Your Operator's Manual	1
Safety Issues	1

Product Identification

Machine Serial Numbers	1
Register Your Product and Warranty Online	1
Product Specifications	1

Safety

Machine Safety Labels	2
Hazards associated with operating Grass Cutting Machinery	3
Safe Operation	4
Workstation	4
Regulations for use of the transmission	4
PTO Shaft Safety	5
Driving Safely on Public Roads	5

Operating the Machine

Inspections before Use	6
Key to Main Parts	7
Hitching to the Tractor	7
Machine Set up	8
Adjusting the Rollers	9
Flow Restrictor Tap	9
Blade rotation	9
Operating the machine	10
Machine Maintenance	11
P.T.O. Maintenance	11
Shearbolt Replacement	11
Troubleshooting	12

Spare Parts

Verge Major 1400	14
Verge Major 2000	16
Verge Major 2650	18
A-Frame and Carry Arms	20
Hydraulics Layout	21
Verge Major Blades	22

EEC certificate of conformity for machines

(conforming to Directive 98/37/EEC)

Company: Major Equipment Ltd.
Address: Coolnaha,
Ballyhaunis,
Co. Mayo,
Ireland.
Tel. +353949630572
Fax +353949630788

declares in sole responsibility that the product:

VERGE MAJOR

When properly installed, maintained and used only for it's intended purpose, complies with all the essential Health & Safety requirements of:

- **THE SUPPLY OF MACHINERY (SAFETY) REGULATIONS 2008.**
- **S.I. No. 299 of 2007**, Safety, Health and Welfare at Work (General Application) Regulations 2007 **(Ireland)**.
- **Health & Safety at Work, etc. Act 1974 (c.37) (UK)**.
- **EN ISO 14121-1: 2007** 'Safety of machinery. Principles for risk assessment'.
- **EN 745** - Agricultural Machinery - Rotary Mowers and Flail Mowers - Safety.
- **EN ISO 13857** - Safety of machinery: Safety distances to prevent hazard zones being reached by upper and lower limbs.

I certify on behalf of Major Equipment Int. Ltd., that this machine when properly installed and operated correctly, complies with all the essential Health & Safety requirements of all legislation referred to above.

Signature : 

Managing Director

Date 12/01/2012

Introduction

Thank you

We appreciate having you as a customer and wish you many years of safe and satisfied use of your machine.

Using Your Operator's Manual

This manual is an important part of your machine and should remain with the machine when you buy it. Reading your operator's manual will help you and others avoid personal injury or damage to the machine. Information given in this manual will provide the operator with the safest and most effective use of the machine.

Sections in your operator's manual are placed in a specific order to help you understand all the safety messages so you can operate this machine safely. You can also use this manual to answer any specific operating or servicing questions.

Safety Issues

Your manual contains special messages to bring attention to potential safety concerns, machine damage as well as helpful operating and servicing information. Please read all the information carefully to avoid injury and machine damage.

Product Identification

Machine Serial Numbers

If you need to contact MAJOR or your MAJOR dealer for information on servicing or spare parts, always provide the product model and serial numbers.

We suggest that you record your machine details below:

Model No: _____

Serial No: _____

Date of Purchase: _____

Dealer Name: _____

Dealer Telephone: _____

Register Your Product and Warranty Online

To register your product through the Internet, simply go to the Support section on www.major-equipment.com. Completing the information, either online or with the product warranty card, will ensure the customer that their product receives all post sales service and important product information.

Product Specifications

MODEL	OSM-1400	OSM-2000	OSM-2650
Cutting width	1.35m (4' 5")	1.975m (6' 5")	2.65 (8' 8")
Number of Rotors	2	3	4
Number of Blades	4 / 8	6 / 12	8 / 16
Sliding Offset	1564mm	1564mm	1564mm
RPM	540 rpm/min	540 rpm/min	540 rpm/min
Power Requirements	40 HP	60 HP	80 HP
Hedge cutting	0÷96°	0÷96°	0÷96°
Mowing of road sides	0÷45°	0÷45°	0÷45°
Tractor class	II	II	II
Weight	685kg	800kg	905kg

Safety

Machine Safety Labels

The machine safety labels shown in this section are placed in important areas on your machine to draw attention to potential safety hazards.

On your machine safety labels, the words DANGER, WARNING, and CAUTION are used with this safety-alert symbol. DANGER identifies the most serious hazards.

The operator's manual also explains any potential safety hazards whenever necessary in special safety messages that are identified with the word, CAUTION, and the safety-alert symbol.

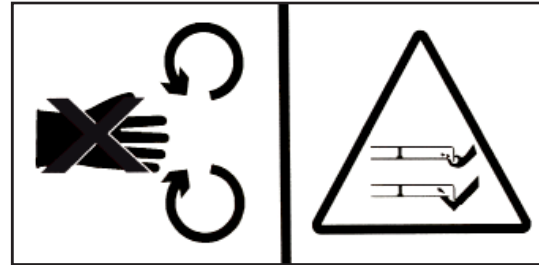


To prevent Serious Injury or Death

- Avoid unsafe operation or maintenance.
- Do not operate or work on this machine without reading and understanding the operator's manual.
- If manual is lost, contact your nearest dealer for a new manual.



To avoid injury, read the manual



Rotating blade hazard

WARNING



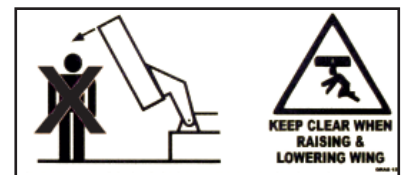
DO NOT GO NEAR LEAKS

- High pressure oil easily punctures skin causing serious injury, gangrene or death.
- If injured, seek emergency medical help, immediate surgery is required to remove oil.
- Do not use finger or skin to check for leaks.
- Lower load or relieve hydraulic pressure before loosening fittings.

High oil pressure hazard



PTO entanglement hazard - keep clear of PTO drives.



Moving parts hazard

**MAX. PTO. INPUT
540 R.P.M.**

Max PTO input is 540 RPM



Crush hazard

Hazards associated with operating Grass Cutting Machinery

Shear Hazard

Shear hazards are created when the edges of two objects move toward or next to each other closely enough to cut relatively soft material. This can include the parts of the machine under hydraulic control when operating from transport to mowing position. Note the wing units are designed to float independently of the centre deck & are free to move within operating limits.

Crush Hazard

Bystanders can be injured when machine is lowered into mowing position. Winged Mowers have crush points around the hinge areas & between the wing & main body. Always use transport locking pins when not in use. Hinges on carry arms represent a hazard and care should be taken when operating machine.

Rotating Blade Hazard

All persons are at risk if they place their hands or feet under the machine when it is raised from the ground when the blades are in motion.

Pinch Hazard

Pinch points are created when two objects move together, with at least one of them moving in a circle. This hazard is common in power transmission devices such as Belt Drives, Gear Drives & Rollers. Ensure all guarding is present.

Wrap Hazard

Any exposed, rotating machine component is a potential wrap point. Injuries usually occur when loose clothing or long hair catch on and wrap around rotating parts such as PTO shafts or Drive shafts on the machine. Ensure all guarding is present.

Free-wheeling parts Hazard

The heavier a revolving part is, the longer it will continue to rotate after power is shut off. This characteristic is called 'free-wheeling'. Rotary mower blades, and various other components, drive shafts etc., will continue to move after power is shut off--often for several minutes. Injuries occur

- When operators shut off equipment, and attempt to clean or adjust a machine before components have completely stopped moving
- When shear bolt protection device in PTO shaft shears & the rotors are still spinning but the primary PTO shaft is stationary. Operator awareness is the key to safety around freewheeling parts. Never raise the machine while the blades are still rotating.

Thrown objects Hazard

Machine throws material as a natural part of doing its job. Foreign objects, such as stones, sticks and other debris, may be taken into this equipment and expelled at tremendous speed. These objects are contained by the rear roller & the sides of the machine.

Bystanders or animals in the path of thrown objects could be seriously injured.. Never operate machine with decks raised from the ground as this makes the rear roller deflector redundant.

Hydraulic Hazard

Hydraulic systems store considerable energy,. Careless servicing, adjustment, or replacement of parts can result in serious injury. High pressure blasts of hydraulic oil can injure eyes or other body parts. The following precautions are crucial:

- Make certain the hydraulic pump is turned off.
- Lower attached equipment to the ground.
- Confirm that load pressure is off the system.

A pinhole leak in an hydraulic hose is a serious hazard. A leak may not be visible, and the only sign may be a few drops of fluid. Never inspect hydraulic hoses with your hands, because a fine jet of hydraulic fluid can pierce the skin.

Slips trips and falls Hazard

Slips and falls often result from:

1. Slippery footing on the ground
2. Cluttered steps and work platforms.

The potential for slips and falls can be greatly reduced by using good judgement and practicing good housekeeping on and around equipment.

Noise Hazard

Please note that the machine is normally used outdoors and that the position of the operator is seated in the driving seat of the tractor. It is advisable to consult the prescriptions listed in tractor operator and maintenance manuals. The acoustic pressure was measured at a distance of 2.6m from the centre of the machine and at a height of 2.0m, with the implement operating in a no load condition - 90 dBA. In a loaded condition & a PTO rate of 540 rpm the obtained value was 97dBA.

Safe Operation

The machine is designed to operate at 540 RPM. Ensure tractor PTO output is set at 540 RPM. The machine must only be used for cutting grass. Moreover, it must only be used with a suitable tractor (see product specifications) and driven by an adequate drive-line by the tractor PTO. All other use is strictly prohibited.

Users should become thoroughly familiar with the contents of this manual before using, servicing and mounting the implement to the tractor and all other pertinent operations. Never wear jewellery, loose clothing such as ties, scarves, belts, unbuttoned jackets or dungarees with open zips which could become caught up in moving parts.

Always wear approved garments complying with accident prevention provisions such as non-slip shoes, ear muffs, goggles and gauntlets. Wear a jacket with reflecting stickers if the implement is used near public highways.

Consult your retailer, the Labour Health Service or your nearest equivalent authority for the information about the current safety provisions and specific regulations with in order to ensure personal safety.



ALWAYS DISENGAGE PTO, SWITCH OFF THE TRACTOR ENGINE AND ENGAGE THE PARKING BRAKE BEFORE MAKING ADJUSTMENT TO THE MACHINE.



NEVER PLACE LIMBS UNDER THE MACHINE WHILE ROTORS ARE TURNING. ROTORS CAN REMAIN TURNING FOR UP TO 1 MINUTE AFTER DISENGAGING PTO.

Workstation

The operator must remain seated while working the machine. When the wings need to be raised and lowered the operator must leave the tractor. Always ensure the PTO has been turned off and the parking brake applied before leaving the tractor cab. The operator must always apply the parking brake, and turn off the engine before leaving machine or carrying out maintenance.



NEVER OPERATE THE HYDRAULICS WITH THE TRACTOR SWITCHED OFF

Regulations for use of the transmission

The transmission to the gearboxes is protected throughout the machine by both PTO shafts and bolt down covers. All guarding should be kept efficient and in good condition. If the condition is poor, the guarding should be renewed before the implement is used.



UNLESS IT IS CORRECTLY PROTECTED THE TRANSMISSION COULD CAUSE DEATH SINCE IT CAN CATCH ON PARTS OF THE BODY OR CLOTHING

Ensure retaining chains are correctly anchored on all PTO shafts, preventing them from turning. Ensure drive line can turn easily within the shield. Keep spline grooves clean and greased so that PTO shaft can connect easily. Besides being described in this manual, the method by which the PTO shaft is connected to the tractor must be checked out with the instructions in the tractor manufacturer's manual.

PTO Shaft Safety

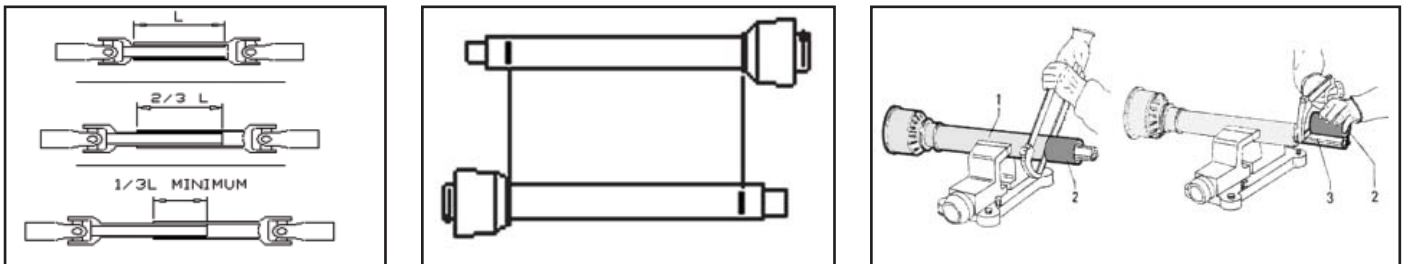
MAX PTO INPUT 540 R.P.M. Contact your nearest dealer or a specialised retail outlet if the PTO must be replaced with a longer one, since this must belong to the same power category and possess the same characteristics. An unsuitable PTO could easily break.

The tractor PTO shaft length may be altered to suit the individual tractor model. When the machine is in operation, the PTO shaft should have a minimum 1/3 engagement as shown in the diagrams. After the topper has been hitched to the tractor, it should be checked in various positions that the drive line is the correct length. If the PTO is too short and tends to slip out of place, it must be replaced with a longer one.

If the PTO shaft is too long, it should be shortened in the following way:

- Set the machine at a minimum distance from the tractor, then brake the tractor and switch off the engine.
- Separate the two halves of the PTO. Insert the female part into the tractor PTO and the male part into the topper PTO, checking that the position is correct by means of the fixing pins.
- Line up the two halves of the PTO together, keeping them parallel.
- Using a felt tip pen, match mark the place where the two halves must be shortened as shown.
- First cut shield "1" and use part "2" as a reference to cut the splined shaft.
- Proceed in the same way for the second half.
- Trim and chamfer the two cut ends of the PTO and clean off all swarf and shavings.
- Grease the two profiles and join the two halves of the PTO together.
- Mount the PTO shaft and check that its length is correct as before.

The shaft must not reach the end of the tube or project from this. Ensure the PTO does not bottom when turning.



Driving Safely on Public Roads

Check the local Highway Code regulations before driving the tractor on public highways with a towed implement. Check the reflectors, hazard flashers and/or projecting load indicators are installed when required and efficient. These indicators must be installed correctly and easily seen by the drivers of other vehicles.

Bystanders must not be allowed to lean against or climb onto the machine during transport or while working. Do not allow bystanders to ride on the machine.



MAXIMUM TRANSPORT SPEED MUST NOT EXCEED 30 km/hr (18 MPH)

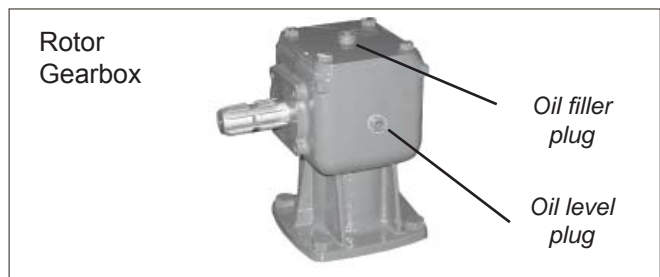
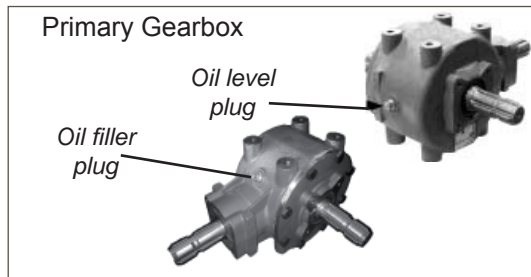
Operating the Machine

Inspections before Use

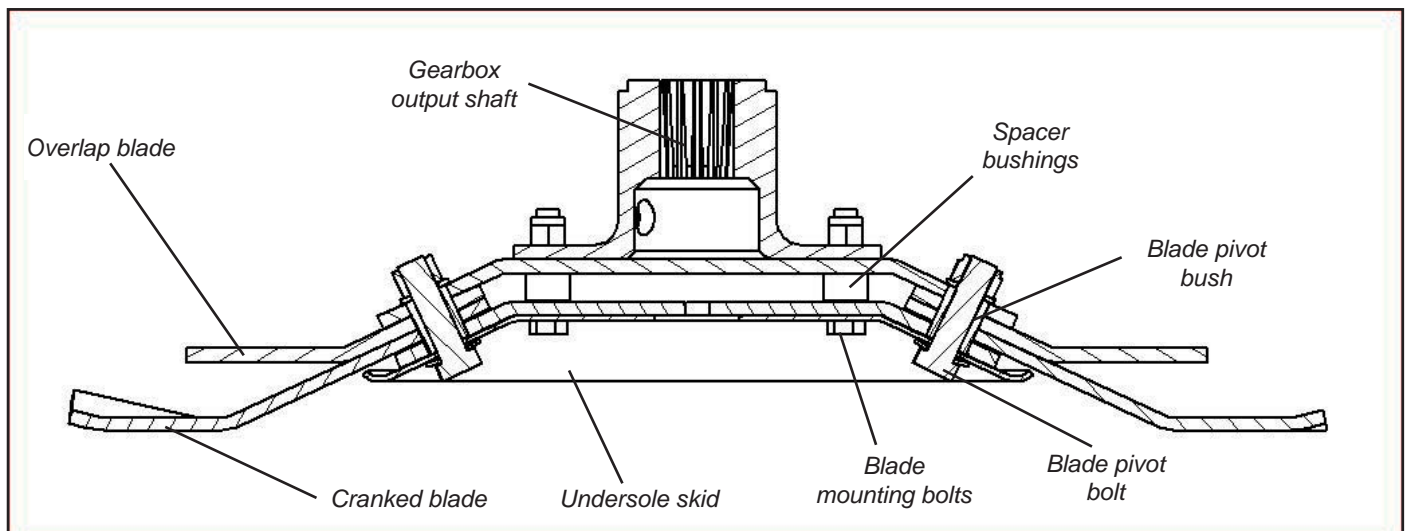


Always disengage PTO, Switch off tractor engine and engage the parking brake before making adjustment to the machine.

1. With the whole machine as level as possible, check the oil level in the Primary Gearbox, top up as required with SAE EP90 gear oil through the oil filler plug indicated. The correct level is at the oil level plug indicated. Check the oil level in the Rotor Gearboxes and top up as required with SAE EP 90 gear oil through the oil filler plugs indicated. The correct level is at the oil level plug indicated.



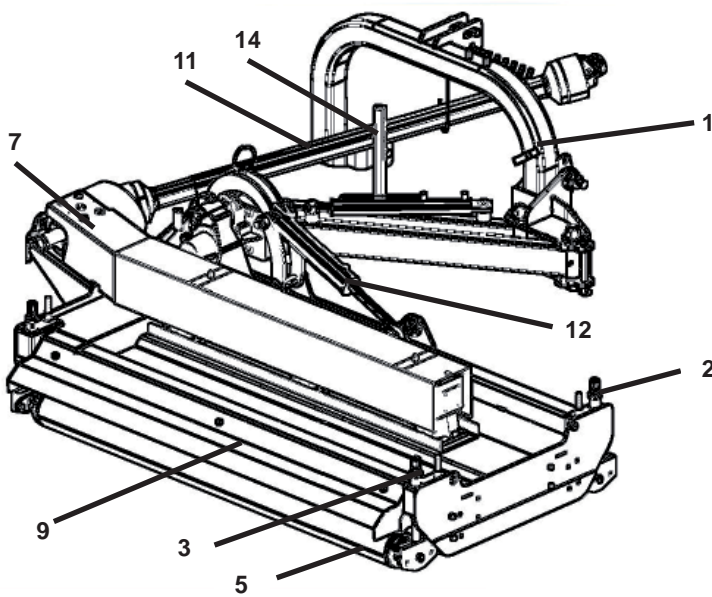
2. Grease the PTO shaft universal joints, drive shaft bearing and carrying arm pivots.
3. Re-sharpen old blades with a grindstone if necessary. Replace bent blades with new ones.
4. Check the blade mounting bolts are tight



5. Ensure the gearbox shaft nuts are tight and retained in place by split pin.
6. Check tightness of all nuts, bolts and retaining screws after the first and second hours of work.
7. Ensure safety guards and flaps are in place at all times where fitted.
8. Due to the corrosive nature of grass when cut, wash down the machine when finished mowing, especially when the machine is being stored for a long period of time.

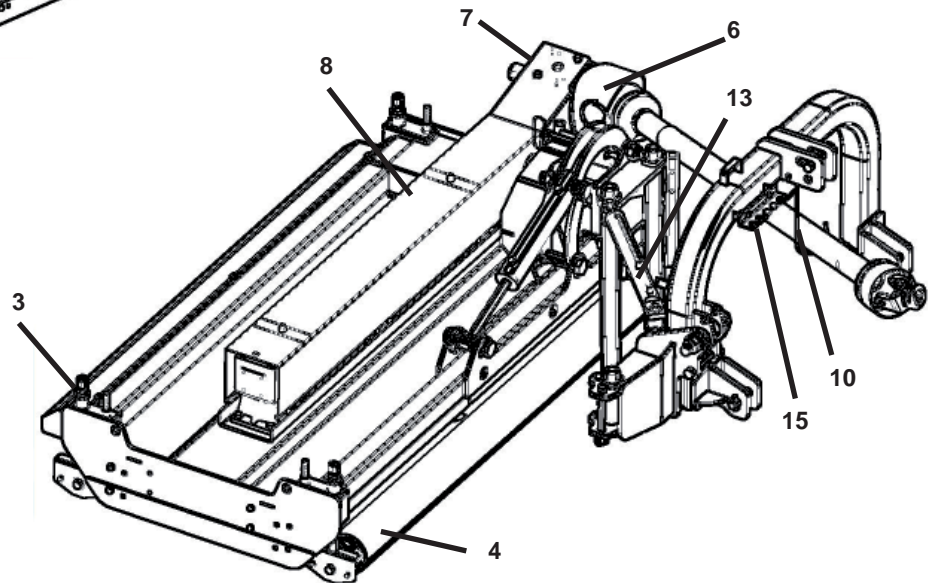
Always ensure the PTO shaft yoke ends are locked onto the splined shafts on both the tractor and the implement. An unlocked shaft could slip out of position, causing notable mechanical damage and serious injury to both operator and bystanders.

Key to Main Parts



1	A-Frame
2	Front roller height adjuster
3	Rear roller height adjuster
4	Front roller
5	Rear roller
6	PTO cover
7	Main gearbox cover
8	Rotor gearbox cover
9	Rear guard

10	PTO shaft hanger
11	PTO shaft
12	Body hydraulic ram
13	Carry arm hydraulic ram
14	Parking stand
15	Hydraulic hose hanger



Hitching to the Tractor



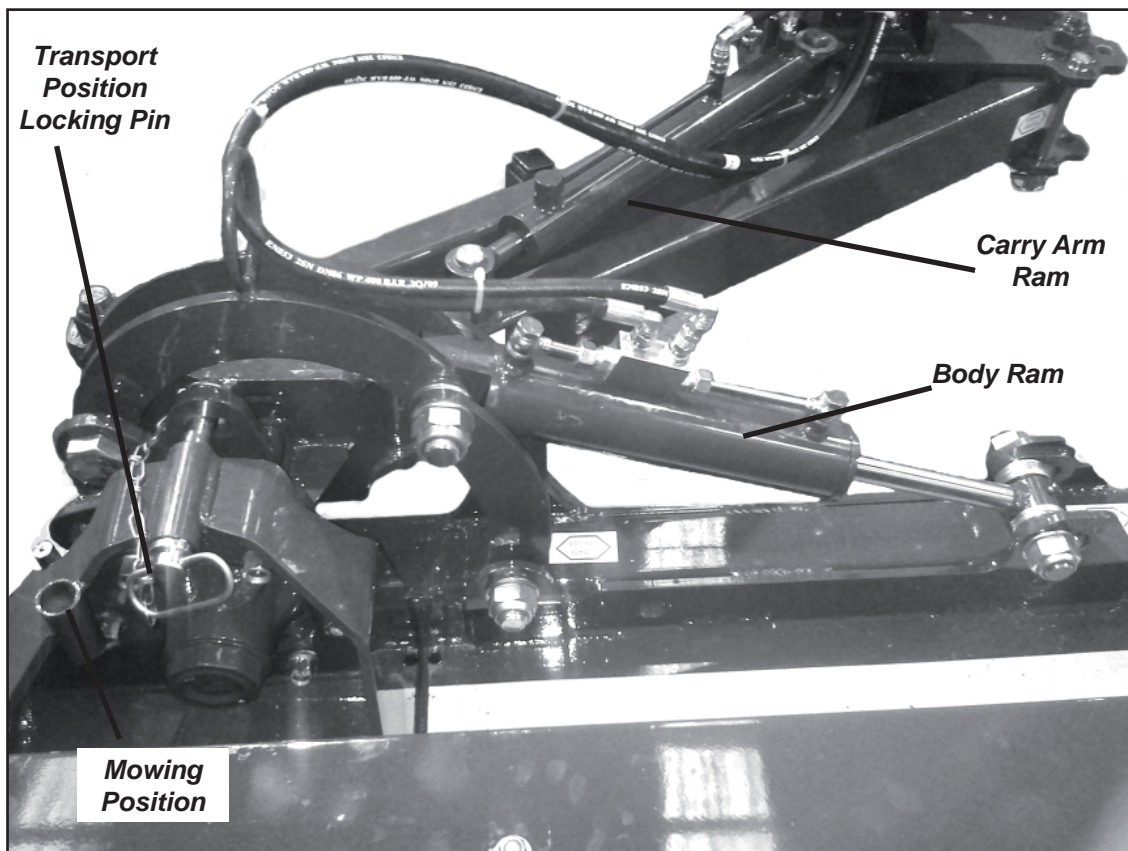
ALWAYS OPERATE ON LEVEL GROUND WHEN HITCHING/UNHITCHING THE IMPLEMENT. THIS WILL PREVENT DANGEROUS MOVEMENT. NEVER ALLOW ANYONE TO STAND BETWEEN THE TRACTOR AND THE MACHINE.

1. Reverse the tractor,
2. Ensure the tractor parking brake is applied.
3. Connect the machine to the tractor.
4. Before connecting the PTO shaft to the tractor, check for length as previously described in this manual.
5. Ensure shear-bolt safety device is fitted on the machine PTO shaft & not the tractor PTO, as shown on the PTO shaft guarding.
6. Ensure PTO check chains are anchored to prevent PTO guarding from rotating.
7. Connect the hydraulic hoses to the appropriate connection.

Machine Set up

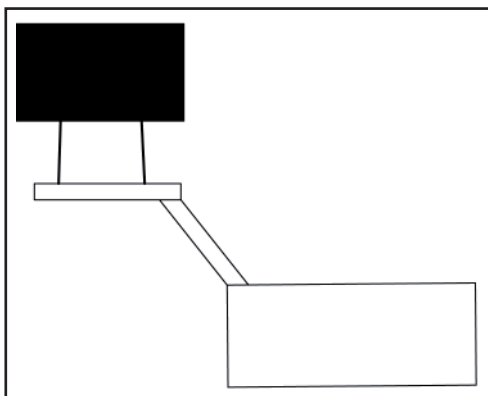
Hydraulic Ram Set Up Instructions

1. Fit hydraulic quick fits to Tractor Spool.
2. Remove the Transport Locking Pin.

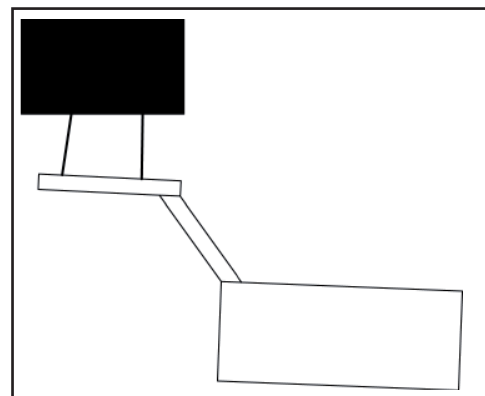


In order to operate the Body Ram remove the Locking Pin

3. Lift machine & power hydraulics to move body into mowing position.
4. Place spool in neutral position.
5. Tighten lower link stabilizer bars to ensure machine is tight on linkage & ensure that linkage bars are positioned to have machine slightly forward when in mowing position.



Correctly set up with stabilisers tightened up

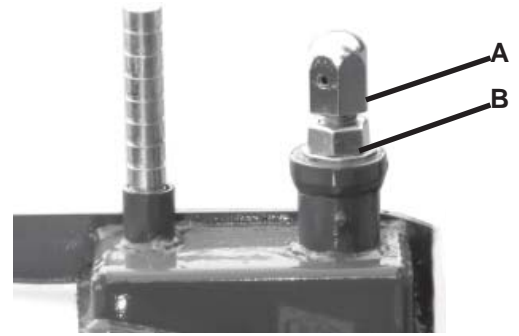


Incorrectly set up with loose stabilisers

6. When operating, the machine should be perpendicular or slightly forward to the direction of travel.

Adjusting the Rollers

- Slacken the Height adjuster stop lock nuts **B** and
- Adjust the roller adjuster **A** to obtain the desired cutting height.
- Tightly close the lock nut **B** again to keep the rollers in this position.



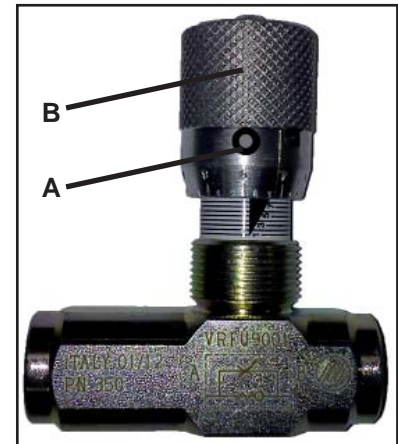
NOTE: IT IS IMPORTANT TO HAVE ROLLERS LEVEL AFTER ADJUSTMENT.

Flow Restrictor Tap

The speed of lowering and raising the machine is controlled by a Flow Restrictor Tap which is located on the hydraulic hose connected to the Body Ram. The adjustment should be carried out by a competent and qualified person.

In order to adjust the flow:

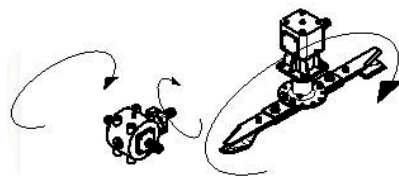
- Slacken grub screw **A**,
- Turn the knob **B** until desired speed lowering/raising is reached,
- Lock the position of knob **B** by tightening grub screw **A**.



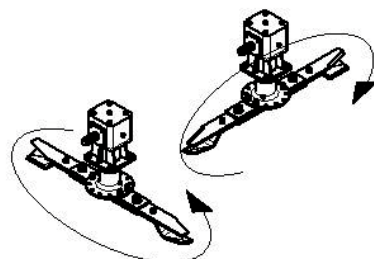
Blade rotation



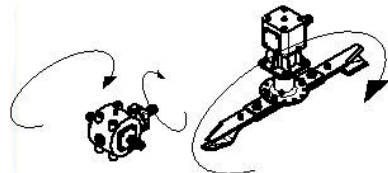
Blades must always be timed at 90 degrees to each other as shown in diagram above. Failure to do so can cause the blades to foul and in turn may damage the transmission.



1400 Verge Major



2000 Verge Major



2650 Verge Major

Starting Regulations

Always check that any imminently dangerous conditions have been eliminated before using the machine. Ensure all guarding is present & the operator is fully aware of the operations of the machine



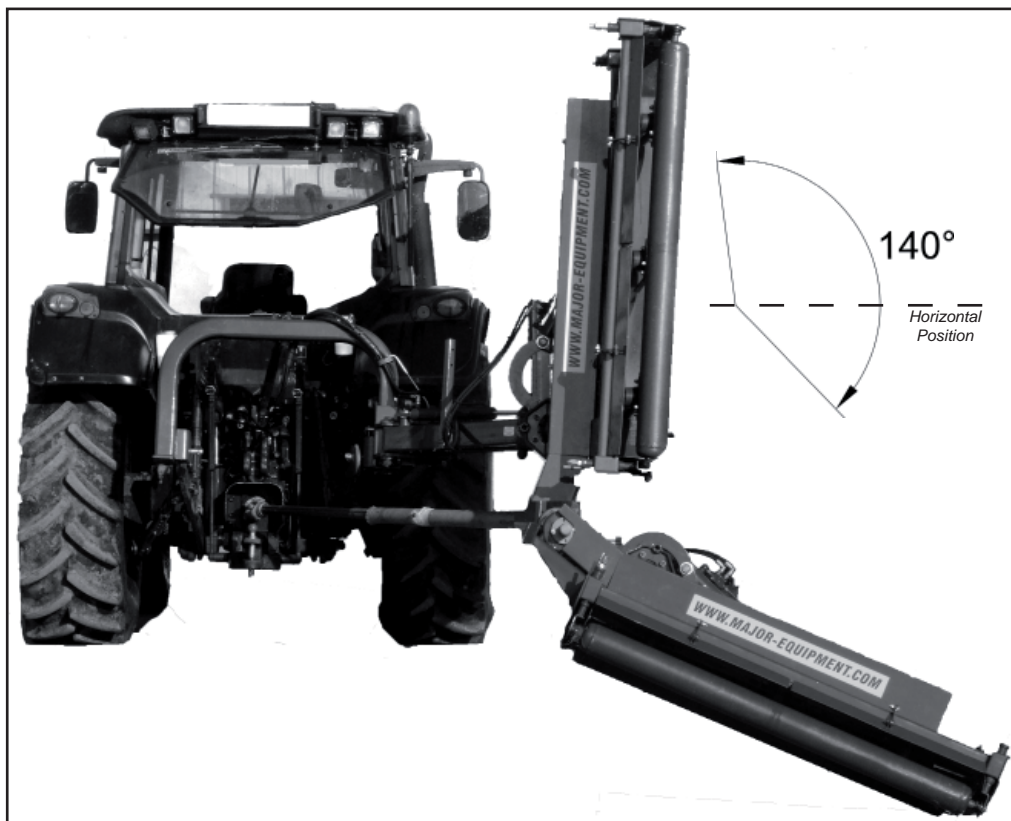
Always ensure the pins lock the PTO shaft yoke ends onto the spline shafts on both the tractor and the implement. An unlocked shaft could slip out of position, causing notable mechanical damage and serious injury to both operator and bystanders.

Operating the machine

The machine is designed to operate at 540 RPM. Ensure tractor PTO output is set at 540 RPM.

1. Hitch the machine as outlined. Ensure bystanders are clear from the machine & cannot be hit with debris expelled from the machine.
2. Raise the Parking Stand and lock it in the upper position.
3. Attach PTO shaft to the machine.
4. Check PTO shaft is fully engaged on tractor PTO splines.
5. Remove the Transport Locking Pin as previously described.
7. Set the machine to a desired position by hydraulic control or use tractor linkage controls.
8. After clearing the vicinity of bystanders, begin mowing.

The operational range of the machine is 140 degrees.



Machine Maintenance

Grease the following at the shown intervals

	INITIALLY	8 HOURS	16 HOURS
PTO Shafts	●	●	
Hydraulic Ram Pivot Points	●		●
Roller Height Adjusters	●		●
Carry Arm Pivot Points	●	●	
A-Frame Linkage	●		●

Check tightness of the nuts on the Pivot connection daily.

P.T.O. Maintenance

The machine must always be disconnected from the tractor before any cleaning, lubricating and servicing operations can be carried out. Maintenance must be carried out by qualified personnel

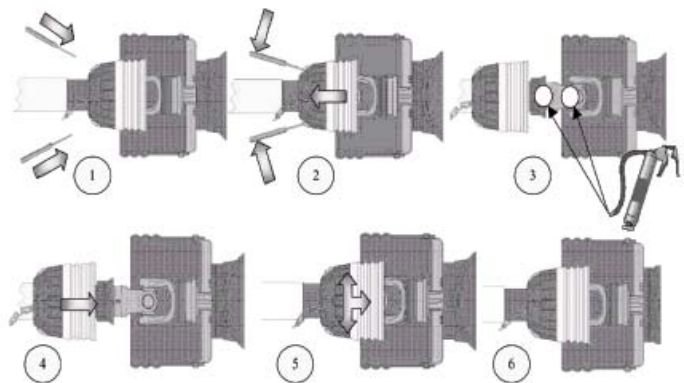
If emergency operations are required whilst the machine is connected to the tractor, switch off the engine, engage the parking brake and disengage the PTO.

Good, regular maintenance and correct use are if the topper is to remain safe and long lasting.

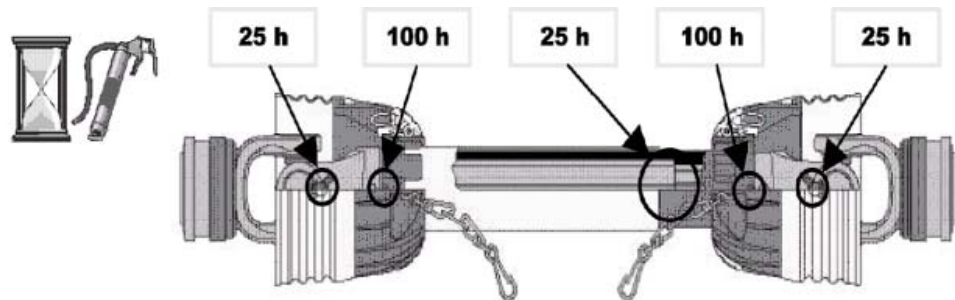
PTO Shaft Maintenance

Guard Removal and Yoke End Greasing

1. Prise back locking tabs
2. Pull back PTO Guard
3. Grease points as shown
4. Push Guard into position
5. Click into place
6. Tie check chain



PTO Guard Greasing Intervals



Shearbolt Replacement

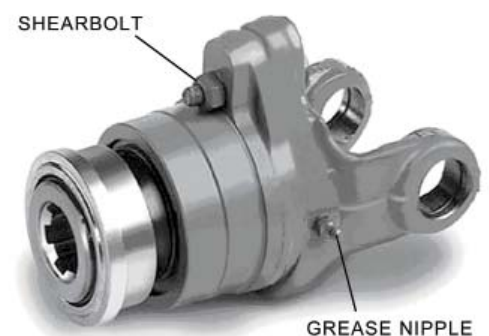
1. Slide yoke shield back.
2. Drive out sheared bolt with hammer and punch.
3. Align holes and install new shear bolt.
4. Slide yoke shield securely in place

IMPORTANT

Fit PTO shaft with the shearbolt end connected to the machine as directed on the PTO guarding



Use only genuine MAJOR replacement shear bolts.



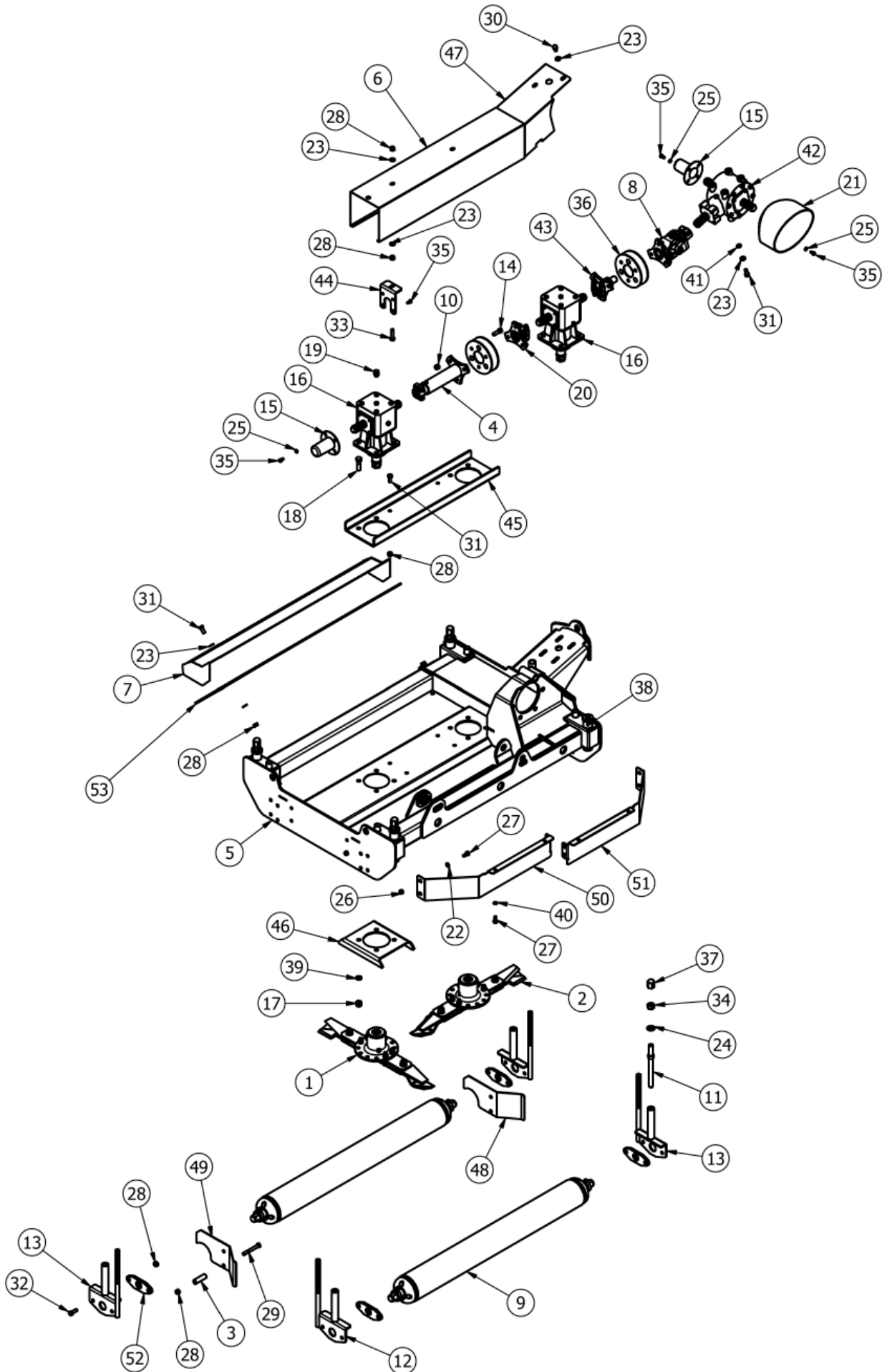
Troubleshooting

Fault	Cause	Remedy
Leaves a streak of uncut or partially cut grass	Blades dull or bent	Replace blades
	Carrier RPM too low	Use correct PTO speed
	Field conditions are so wet that the tractor tire is pushing grass into mud	Too wet to mow. Stop operation and wait until it is drier
	Ground speed too fast	Reduce ground speed by shifting to a lower gear
	Grass is down from previous weather conditions	Mow in only one direction
	Possible build-up materials under mower	Clean mower
	Blades mounted incorrectly (cutting edge against direction rotation)	Change blades so that cutting edge is facing correct rotation.
Material discharges from mower unevenly; bunches of material along with swath	Material too high and too much material	Reduce ground speed but maintain 540rpm at tractor PTO or make two passes over material. Raise mower for the first pass and lower to desired height for the second and cut a 90 degree angle to first pass
	Grass wet	Allow grass to dry before mowing. Slow ground speed of tractor but keep engine running at full PTO rpm. Cutting lower will help
Gearbox overheating	Low on lubricant	Fill to proper level
	Improper type lubricant	Replace with proper lubricant
	Excessive grass / debris build-up around gearbox. PTO running too fast.	Remove grass, etc from machine. Lower the RPM rate
Blade is scalping ground	Mower too low	Raise mower
	Field is ridged	Cut field at a different angle
	Field is too wet	Stop and wait until it is dried
Mower will not cut	Shear bolt sheared	Install new shear bolt
Blades wear too fast	Cutting in sandy conditions	Increase cutting height
	Cutting in rocky conditions	Increase cutting height
	Blades hitting the ground	Increase cutting height
Mower seems to require excessive power	Advancing into grass too rapidly	Reduce forward travel speed
	Hitting ground	Raise mower and reset wheels
	Worn or dull blades	Sharpen or replace blades
	Tractor not large enough	Use larger horsepower tractor
Excessive vibration	Check gearbox bolts	Tighten if loose
	Check for loose nuts on blades	Tighten if loose
	Blade broken	Replace blades, in set
	New blade or bolts matched with worn blade or bolts	Replace blades or bolts in sets
	Drivelines not phased correctly. Implement and tractor yokes must be in line	Phase the driveline. Replace if necessary
Noisy machine	Worn bearing	Replace bearings
	Low oil in gearbox	Check level and add oil
	Loose Parts	Check all bolts are fully tightened
	Wrong PTO rpm rate	Check PTO rate & adjust as necessary
	Bent PTO shaft	Check PTO shafts are aligned correctly
		Check output shaft on gearboxes are not bent
		Check driveline between gearboxes is aligned.

Gearbox leaking	Damaged oil seal	Replace seal
	Bent shaft	Replace oil seal and shaft
	Shaft rough in oil seal area	Replace or repair shaft
	Oil seal installed incorrectly	Replace seal
	Oil seal not sealing in the housing	Replace seal or use a sealant on outside diameter of seal
	Oil level too high	Drain oil to proper level
	Hole in gearbox	Replace the gearbox
	Gasket damaged	Replace gasket
	Bolts loose	Tighten bolts

Spare Parts

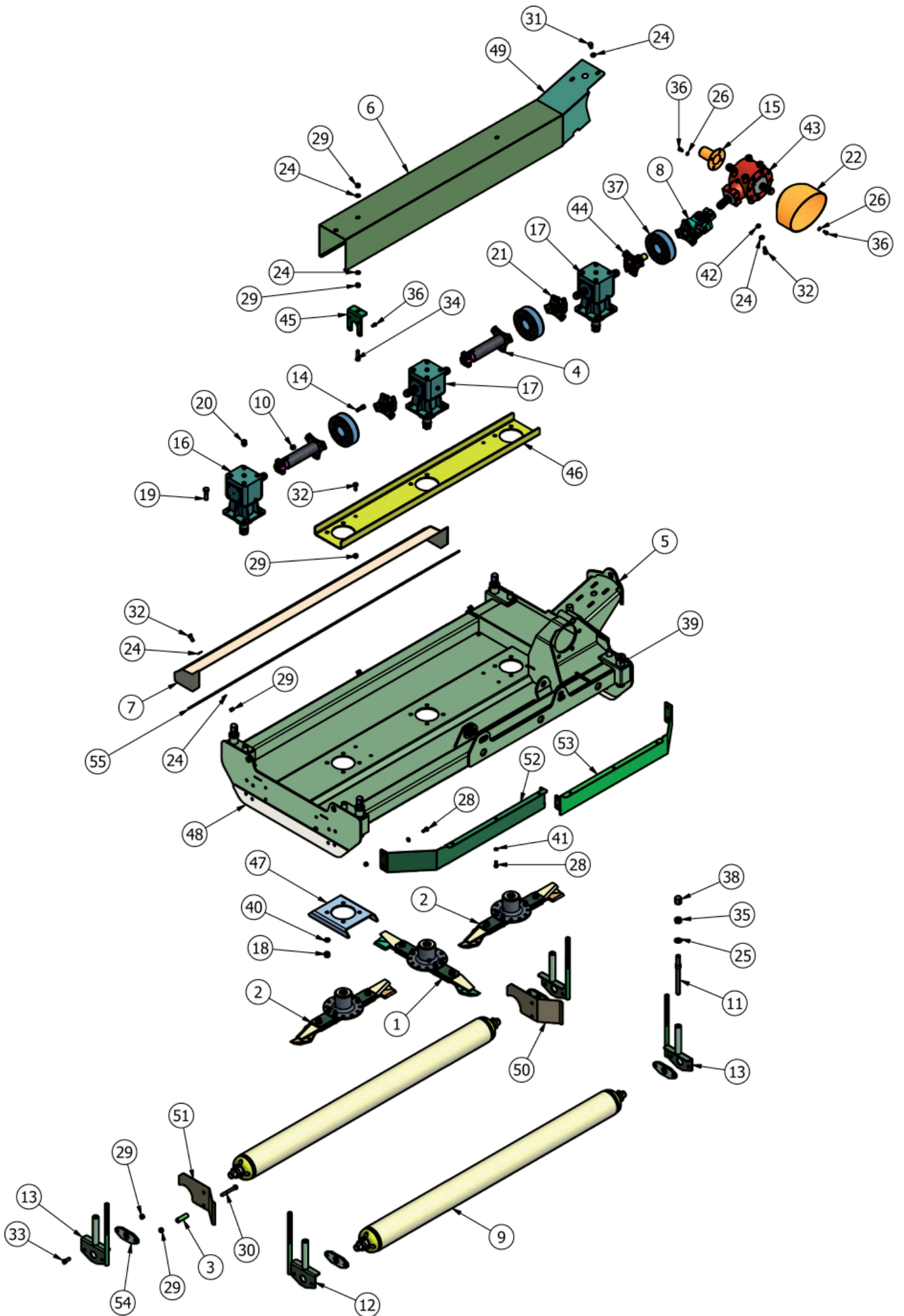
Verge Major 1400



Verge Major 1400

ITEM	PART NUMBER	DESCRIPTION	QTY	ITEM	PART NUMBER	DESCRIPTION	QTY
1	725-SBLOL	725 SWING BLADE (Anti_Clk)	1	27	M10x25SZP	M10x25 SET BOLT	10
2	725-SBROL	725 SWING BLADE (Clk)	1	28	M12	M12 NYLOC NUT	22
3	84RM-RDT	DEFLECTOR TUBE	4	29	M12x100BZP	M12x100 BOLT	4
4	9GTD	DRIVE TUBE (292mm)	1	30	M12x20SZP	M12x20 SET BOLT	2
5	OSM-1400BD-01H	1400 STANDARD BODY	1	31	M12x30SZP	M12x30 SET BOLT	10
6	OSM-1400CV	GEARBOX COVER (1400)	1	32	M12x35BZP	M12x35 BOLT	8
7	OSM-1400FLP-10	REAR GUARD (1400)	1	33	M12x50SZP	M12x50 SET BOLT	2
8	OSM-DRV-01	UV JOINT	1	34	M20HEX	M20 PLAIN NUT	4
9	TDW-ROL	16ft TDR ROLLER	2	35	M8x16SZP	M8x16 SET BOLT	16
10	1/2F	1/2" FINE NYLOC NUT	12	36	MJRC-113	113 PCD RUBBER COUPLING	2
11	12F-THRA	THREADED HEIGHT ADJUSTER	4	37	RM-M20C	ROLLER ADJUSTER CAP NUT	4
12	12GMRA2L	HEIGHT ADJUSTER (LH)	2	38	S849	GREASE NIPPLE M6 STR	4
13	12GMRA2R	HEIGHT ADJUSTER (RH)	2	39	SW58	5/8" SPRING WASHER	8
14	12x112FSKS	1/2"x1 1/2" FINE SOCKET HEAD 12.9	12	40	SWM10	M10 SPRING WASHER	4
15	190592	PTO HAT	2	41	SWM12	M12 SPRING WASHER	4
16	LF205T	6 SPLINE 'T' BOX RATIO 1.47	2	42	T304	6 SPLINE 'T' BOX RATIO 1:2.5	1
16	MJ40T	6 SPLINE 'T' BOX RATIO 1.47	2	43	DRV-6S-135	WING STAR DRIVE 6 SPL	1
17	5/8F	5/8" FINE NYLOC NUT	8	44	9TGT-CB	GEARBOX COVER BRKT	2
18	58x214FBZP	5/8"x2 1/4" FINE BOLT	8	45	OSM-1400BD-31	GEARBOX TROUGH (1400)	1
19	8-6-7-00161	3/8" VALVE BREATHER	2	46	OSM-2000BD-32	GEARBOX REINF'	2
20	8SM-18	6 SPLINE STAR DRIVE	1	47	OSM-2000CV-04	MAIN BOX COVER	1
21	8SM11-2	PTO GUARD (OVAL)	1	48	OSM-ARF-10	REAR DEFLECTOR	1
22	FWM10	M10 FLAT WASHER	4	49	OSM-ARF-10H	REAR DEFLECTOR	1
23	FWM12	M12 FLAT WASHER	14	50	OSM-ARF-14	FRONT AERO-FOIL (1400)	1
24	FWM20	M20 FLAT WASHER	4	51	OSM-ARF-14H	FRONT AEROFOIL (1400)	1
25	FWM8	M8 FLAT WASHER	12	52	RM-RSN2	ROLLER MOUNT	4
26	M10	M10 NYLOC NUT	6	53	OSM-1400SKR	OSM-1400 SKIRT	1

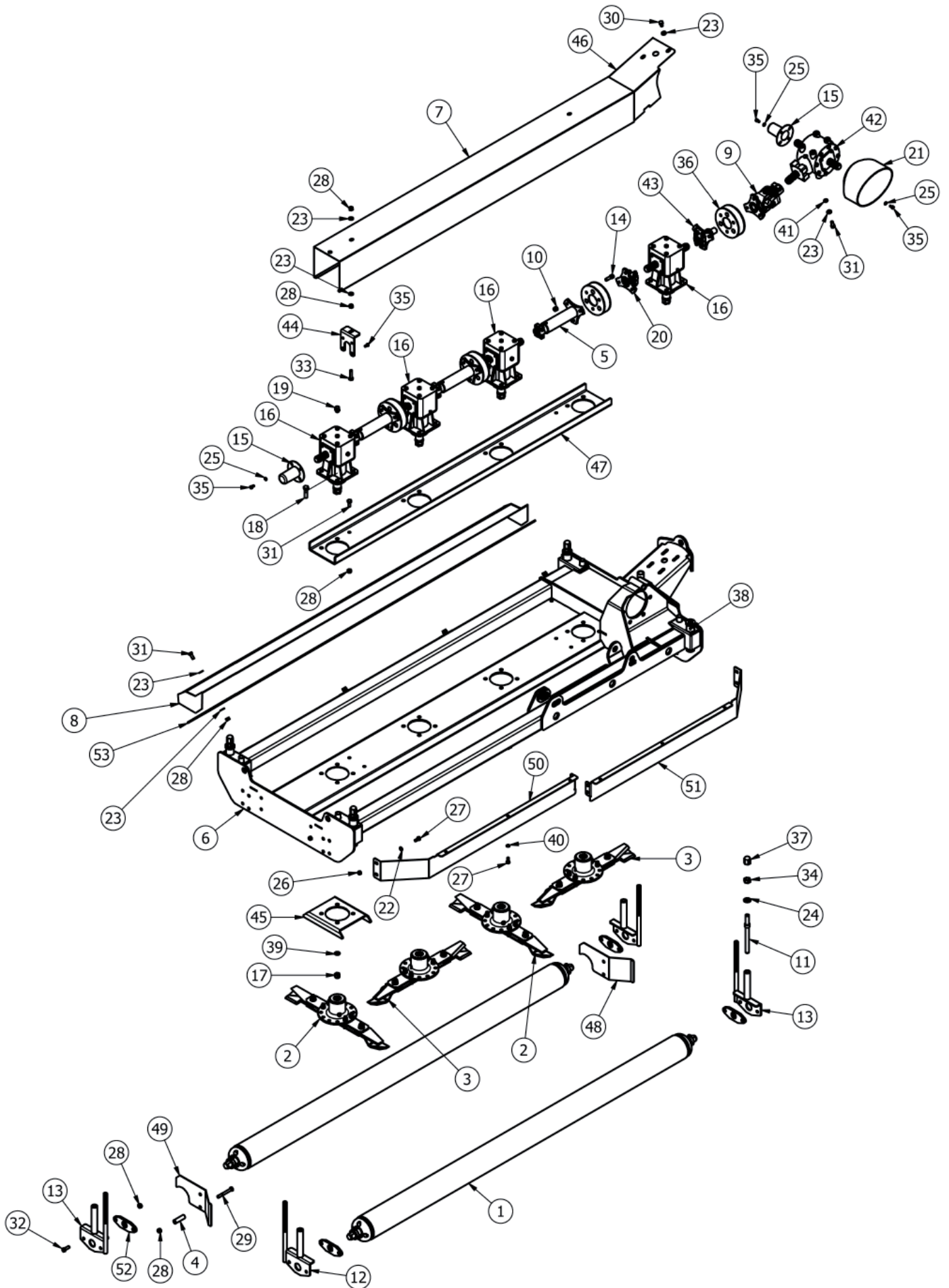
Verge Major 2000



Verge Major 2000

ITEM	PART NUMBER	DESCRIPTION	QTY	ITEM	PART NUMBER	DESCRIPTION	QTY
				27	M10	M10 NYLOC NUT	6
1	725-SBLOL	725 SWING BLADE (Anti_Clk)	1	28	M10x25SZP	M10x25 SET BOLT	12
2	725-SBROL	725 SWING BLADE (Clk)	2	29	M12	M12 NYLOC NUT	23
3	84RM-RDT	DEFLECTOR TUBE	4	30	M12x100BZP	M12x100 BOLT	4
4	9GTD	DRIVE TUBE (292mm)	2	31	M12x20SZP	M12x20 SET BOLT	2
5	OSM-2000BD-01H	2000 STANDARD BODY	1	32	M12x30SZP	M12x30 SET BOLT	11
6	OSM-2000CV	GEARBOX COVER (2000)	1	33	M12x35BZP	M12x35 BOLT	8
7	OSM-2000FLP-10	REAR GUARD (2000)	1	34	M12x50SZP	M12x50 SET BOLT	2
8	OSM-DRV-01	UV JOINT	1	35	M20HEX	M20 PLAIN NUT	4
9	TDW-20RL	20ft TDR ROLLER	2	36	M8x16SZP	M8x16 SET BOLT	12
10	1/2F	1/2" FINE NYLOC NUT	18	37	MJRC-113	113 PCD RUBBER COUPLING	3
11	12F-THRA	THREADED HEIGHT ADJUSTER	4	38	RM-M20C	ROLLER ADJUSTER CAP NUT	4
12	12GMRA2L	HEIGHT ADJUSTER (LH)	2	39	S849	GREASE NIPPLE M6 STR	4
13	12GMRA2R	HEIGHT ADJUSTER (RH)	2	40	SW58	5/8" SPRING WASHER	12
14	12x112FSKS	1/2"x1 1/2" FINE SOCKET HEAD 12.9	18	41	SWM10	M10 SPRING WASHER	6
15	190592	PTO HAT	1	42	SWM12	M12 SPRING WASHER	4
16	LF205	6 SPLINE 'L' BOX RATIO 1.47	1	43	T304	6 SPLINE 'T' BOX RATIO 1:2.5	1
16	MJ40	6 SPLINE 'L' BOX RATIO 1.47	1	44	DRV-6S-135	WING STAR DRIVE 6 SPL	1
17	LF205T	6 SPLINE 'T' BOX RATIO 1.47	2	45	9TGT-CB	GEARBOX COVER BRKT	2
17	MJ40T	6 SPLINE 'T' BOX RATIO 1.47	2	46	OSM-2000BD-31	GEARBOX TROUGH (2000)	1
18	5/8F	5/8" FINE NYLOC NUT	12	47	OSM-2000BD-32	GEARBOX REINF'	3
19	58x214FBZP	5/8"x2 1/4" FINE BOLT	12	48	OSM-2000BD-33	EXTENDED SIDE	2
20	8-6-7-00161	3/8" VALVE BREATHER	3	49	OSM-2000CV-04	MAIN BOX COVER	1
21	8SM-18	6 SPLINE STAR DRIVE	2	50	OSM-ARF-10	REAR DEFLECTOR	1
22	8SM11-2	PTO GUARD (OVAL)	1	51	OSM-ARF-10H	REAR DEFLECTOR	1
23	FWM10	M10 FLAT WASHER	4	52	OSM-ARF-15	FRONT AERO-FOIL (2000)	1
24	FWM12	M12 FLAT WASHER	16	53	OSM-ARF-15H	FRONT AEROFOIL (2000)	1
25	FWM20	M20 FLAT WASHER	4	54	RM-RSN2	ROLLER MOUNT	4
26	FWM8	M8 FLAT WASHER	8	55	OSM-2000SKR	OSM-2000 SKIRT	1

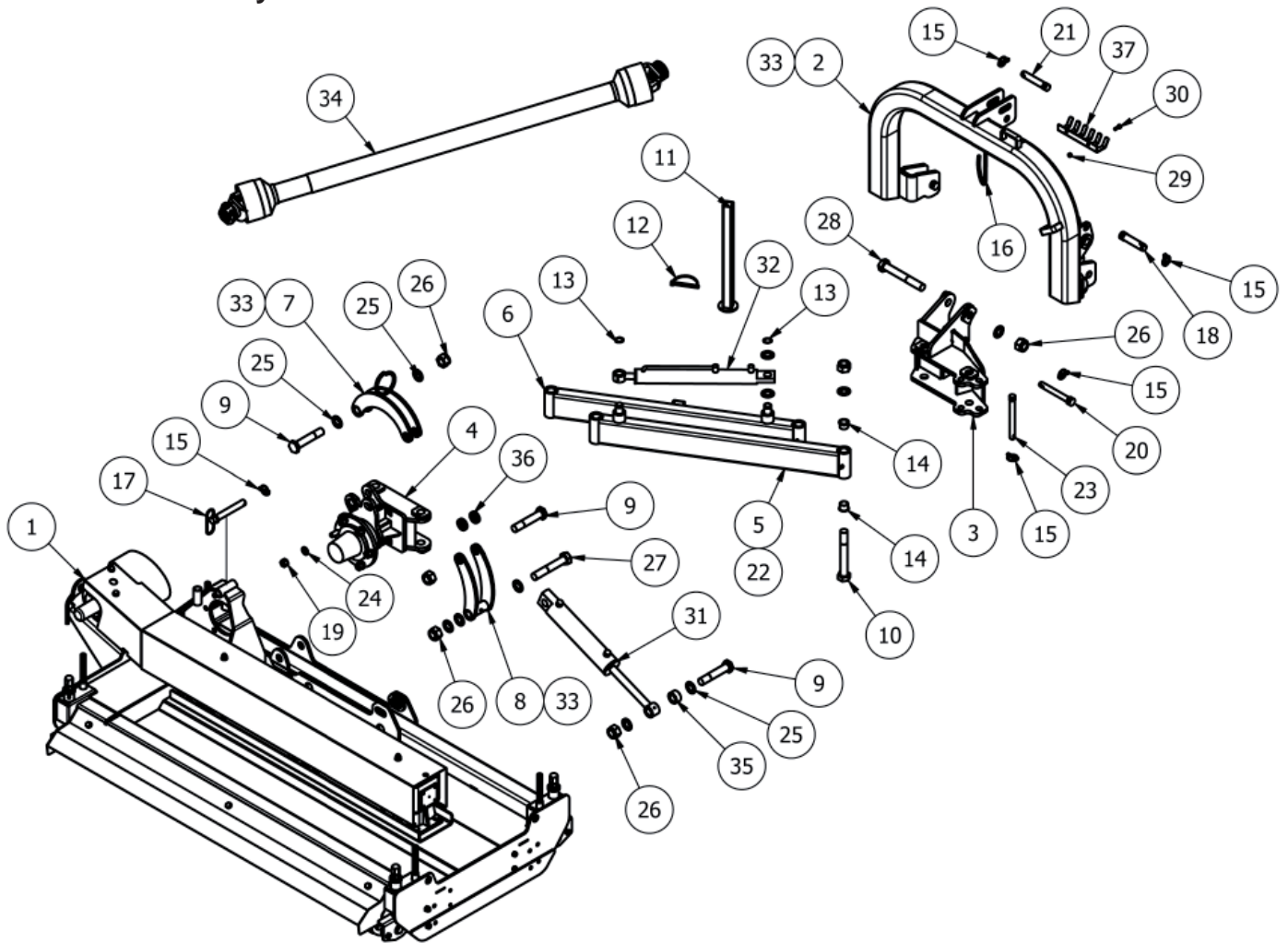
Verge Major 2650



Verge Major 2650

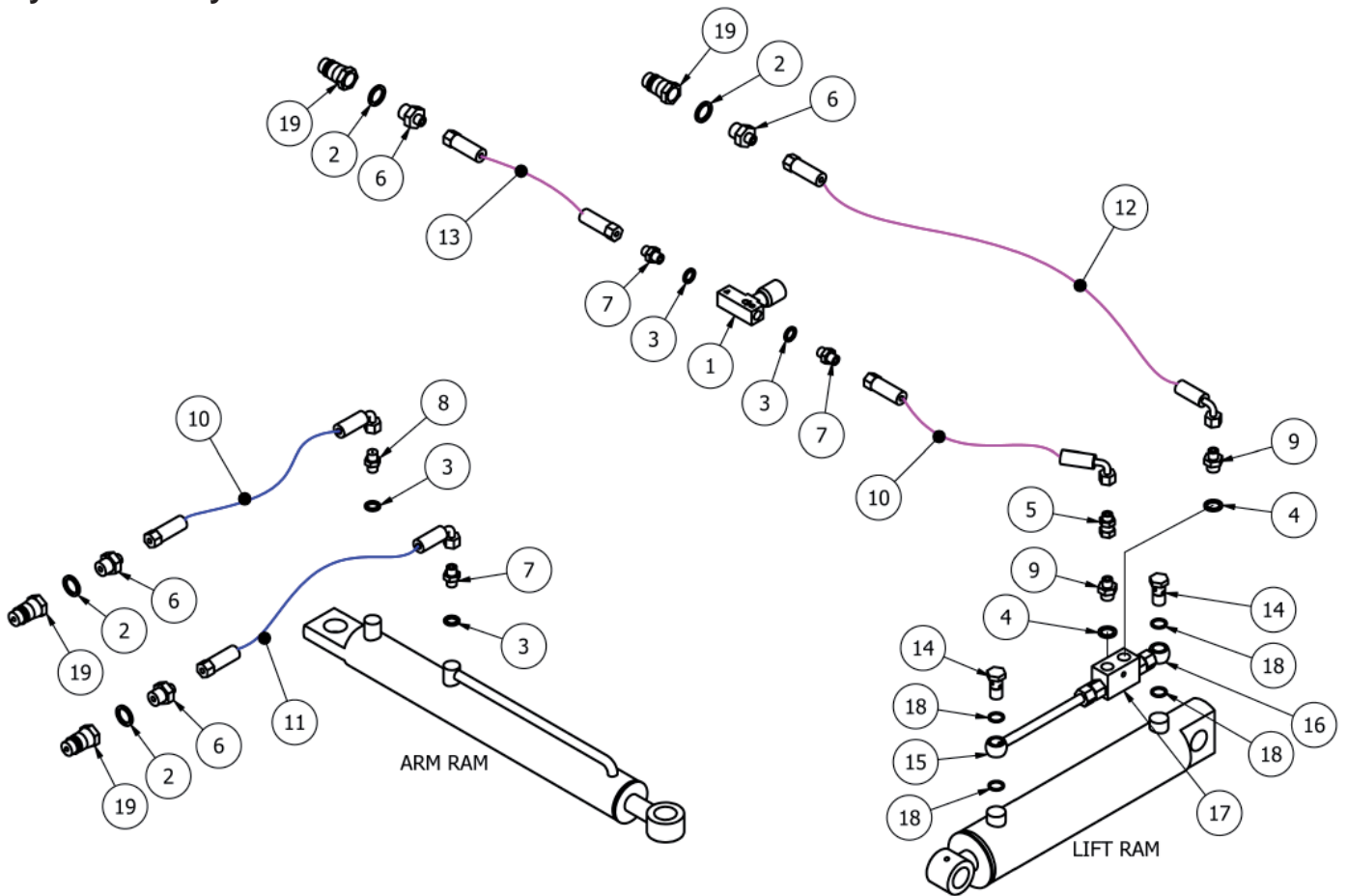
ITEM	PART NUMBER	DESCRIPTION	QTY	ITEM	PART NUMBER	DESCRIPTION	QTY
1	2600OSM-ROL	2600 OSM ROLLER	2	27	M10x25SZP	M10x25 SET BOLT	12
2	725-SBLOL	725 SWING BLADE (Anti_Clk)	2	28	M12	M12 NYLOC NUT	24
3	725-SBROL	725 SWING BLADE (Clk)	2	29	M12x100BZP	M12x100 BOLT	4
4	84RM-RDT	DEFLECTOR TUBE	4	30	M12x20SZP	M12x20 SET BOLT	2
5	9GTD	DRIVE TUBE (292mm)	3	31	M12x30SZP	M12x30 SET BOLT	12
6	OSM-2600BD-01H	2600 OFFSET BODY (STD)	1	32	M12x35BZP	M12x35 BOLT	8
7	OSM-2600CV	GEARBOX COVER (2600)	1	33	M12x50SZP	M12x50 SET BOLT	2
8	OSM-2600FLP-10	REAR GUARD (2600)	1	34	M20HEX	M20 PLAIN NUT	4
9	OSM-DRV-01	UV JOINT	1	35	M8x16SZP	M8x16 SET BOLT	16
10	1/2F	1/2" FINE NYLOC NUT	24	36	MJRC-113	113 PCD RUBBER COUPLING	4
11	12F-THRA	THREADED HEIGHT ADJUSTER	4	37	RM-M20C	ROLLER ADJUSTER CAP NUT	4
12	12GMRA2L	HEIGHT ADJUSTER (LH)	2	38	S849	GREASE NIPPLE M6 STR	4
13	12GMRA2R	HEIGHT ADJUSTER (RH)	2	39	SW58	5/8" SPRING WASHER	16
14	12x112FSKS	1/2"x1 1/2" FINE SOCKET HEAD 12.9	24	40	SWM10	M10 SPRING WASHER	6
15	190592	PTO HAT	2	41	SWM12	M12 SPRING WASHER	4
16	LF205T	6 SPLINE 'T' BOX RATIO 1.47	4	42	T304000	6 SPLINE 'T' BOX RATIO 1:2.5	1
16	MJ40T	6 SPLINE 'T' BOX RATIO 1.47	4	43	DRV-6S-135	WING STAR DRIVE 6 SPL	1
17	5/8F	5/8" FINE NYLOC NUT	16	44	9TGT-CB	GEARBOX COVER BRKT	2
18	58x214FBZP	5/8"x2 1/4" FINE BOLT	16	45	OSM-2000BD-32	GEARBOX REINF'	4
19	8-6-7-00161	3/8" VALVE BREATHER	4	46	OSM-2000CV-04	MAIN BOX COVER	1
20	8SM-18	6 SPLINE STAR DRIVE	3	47	OSM-2600BD-31	GEARBOX TROUGH (2600)	1
21	8SM11-2	PTO GUARD (OVAL)	1	48	OSM-ARF-10	REAR DEFLECTOR	1
22	FWM10	M10 FLAT WASHER	4	49	OSM-ARF-10H	REAR DEFLECTOR	1
23	FWM12	M12 FLAT WASHER	18	50	OSM-ARF-16	FRONT AERO-FOIL (2600)	1
24	FWM20	M20 FLAT WASHER	4	51	OSM-ARF-16H	FRONT AEROFOIL (2600)	1
25	FWM8	M8 FLAT WASHER	12	52	RM-RSN2	ROLLER MOUNT	4
26	M10	M10 NYLOC NUT	6	53	OSM-2650SKR	OSM-2650 SKIRT	1

A-Frame and Carry Arms



ITEM	PART NUMBER	DESCRIPTION	QTY	ITEM	PART NUMBER	DESCRIPTION	QTY
1	OSM-2000BD-STD	2000 OFFSET STANDARD BODY	1	20	72	CAT 1 PIN DIA 22x149mm	1
2	OSM-AF-20	A' FRAME (STANDARD)	1	21	81	CAT 2 PIN DIA 25.4x110mm	1
3	OSM-AFP-20	A FRAME PIVOT (STANDARD)	1	22	857	GREASE NIPPLE M8x45x1.25P	4
4	OSM-BDP-20	BODY PIVOT (STANDARD)	1	23	ATI-135L	CAT 1 PIN DIA 22x183mm	1
5	OSM-CA-10	CARRY ARM (OUTER)	1	24	FWM18	M18 FLAT WASHER	6
6	OSM-CA-30	CARRY ARM (INNER)	1	25	FWM30	M30 FLAT WASHER	14
7	OSM-LK-01	RAM LINK (UPPER)	1	26	M30	M30 NYLOC NUT	9
8	OSM-LK-20	RAM LINK (LOWER)	1	27	M30x180BZP	M30x180 BOLT	1
9	OSM-PP-05	LINK PIVOT BOLT	3	28	M30x220BZP	M30x220 BOLT	1
10	OSM-PP-06	ARM PIVOT BOLT	4	29	M8	M8 NYLOC NUT	2
11	OSM-STD-01	PARKING STAND	1	30	M8x25BZP	M8x25 BOLT	2
12	272	SHAFT LOCK PIN DIA 11	1	31	OSM-BD-RAM	BODY RAM	1
13	2882	DIA 30 EXT CIRCLIP	2	32	OSM-CA-RAM	CARRY ARM RAM	1
14	3026DU	30x34x26 FLANGE BUSH	8	33	S851	GREASE NIPPLE M8x1.25 STR	3
15	3546	LINCH PIN DIA 9.5	6	34	V601610ENC12B02	V60 SHEAR BOLT	1
16	38024500	PTO HOOK	1	35	OSM-LK-32	ROD SPACER	1
17	49410	HITCH PIN DIA 25x195mm	1	36	OSM-LK-31	LINK BUSH SPACER	2
18	5033	CAT 2 PIN DIA 28.5x95mm	2	37	TA-HCM04	CABLE MOUNT	1
19	57318B1	M18x1.5 FINE NUT	6				

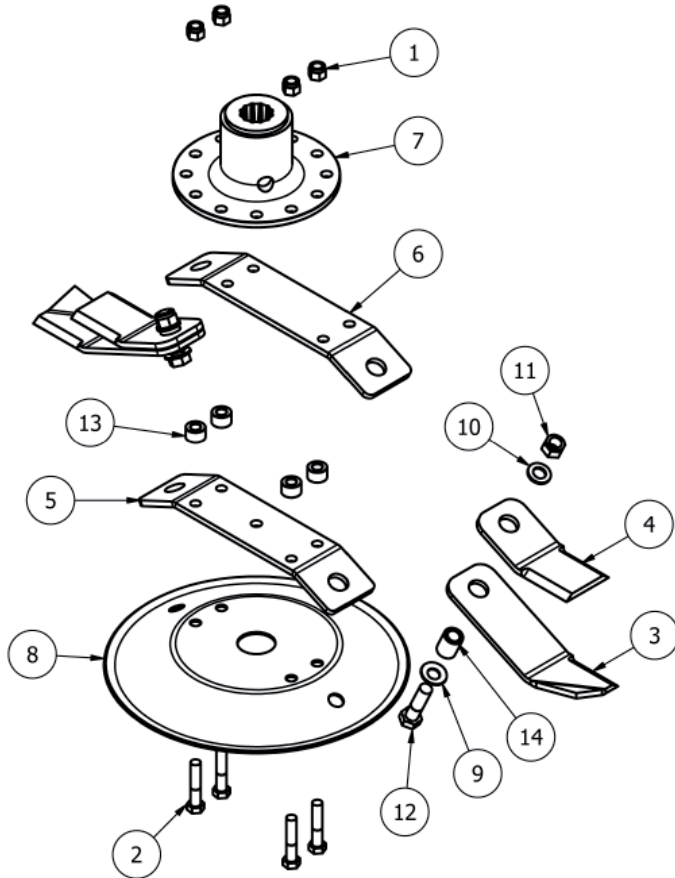
Hydraulics Layout



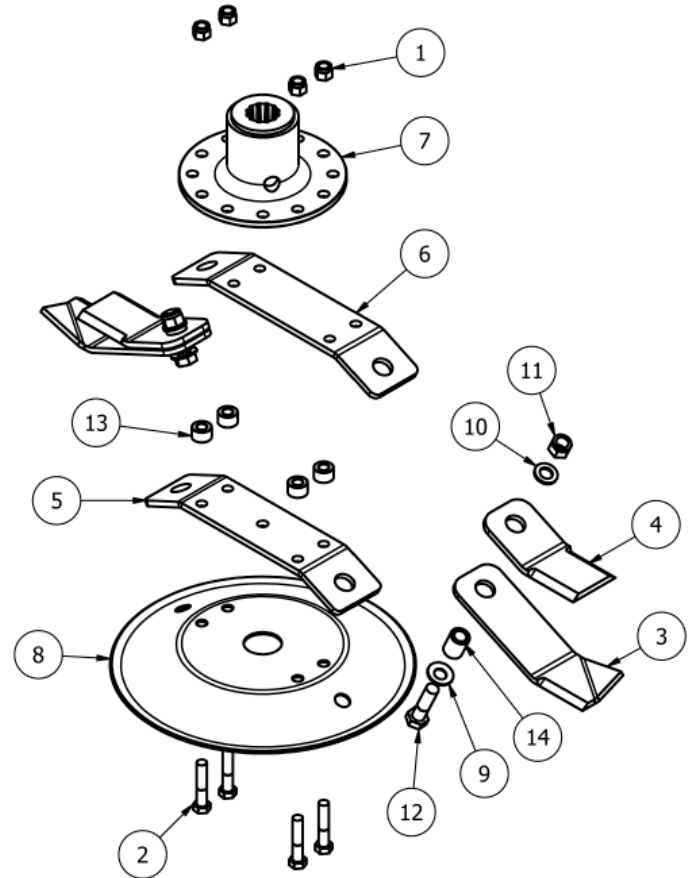
ITEM	PART NUMBER	DESCRIPTION	QTY
1	1251-5-14	1/4" RESTRICTOR VALVE (BLACK)	1
2	EDOW12	1/2" DOWTY WASHER	4
3	EDOW14	1/4" DOWTY WASHER	4
4	EDOW38	3/8" DOWTY WASHER	2
5	EMF14	1/4" M/F CONNECTOR	1
6	EMM1214	1/2-14" M/M CONNECTOR	4
7	EMM14	1/4" M/M CONNECTOR	3
8	EMM14RV	1/4" M/M RESTRICTOR (DIA 1mm)	1
9	EMM3814	3/8-1/4" M/M CONNECTOR	2
10	HOSE-A	1/4"x2050mm Str to Block 90	2
11	HOSE-B	1/4"x2200mm Str to Block 90	1
12	HOSE-C	1/4"x3450mm Str to Block 90	1
13	HOSE-D	1/4"x1400mm Str to Str	1
14	2B-6	3/8" BANJO BOLT	2
15	38-B-12185	3/8" BANJO ADAPTOR	1
16	38-B-1240	3/8" BANJO ADAPTOR	1
17	LU003256000	3/8" CHECK VALVE	1
18	S8841	COPPER WASHER 21x17x1.5	4
19	QRM12	1/2" QUICK RELEASE MALE	4

Verge Major Blades

725-DCBLD-OV-L



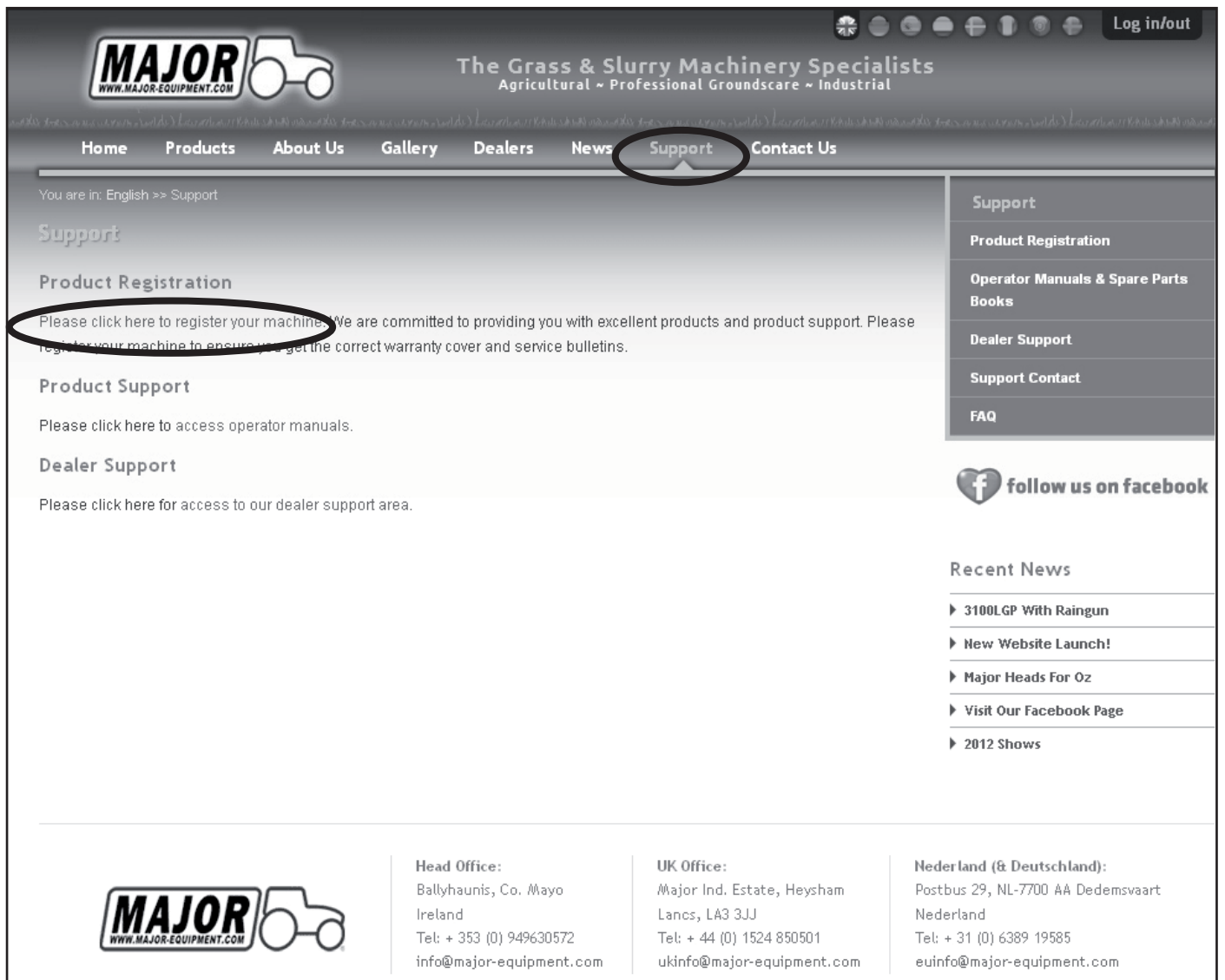
725-DCBLD-OV-R



ITEM	PART NUMBER	DESCRIPTION	QTY
1	1/2F	1/2" FINE NYLOC NUT	4
2	12x212FBZP	1/2"x2 1/2" FINE BOLT	4
3	BLD-25025-AC	BLADE 250xDia 25 (Anti-Clk)	2
4	BLD-25025-OVL	OVERLAP FOR BLADE 250xDia 25	2
5	BLDB-294-25	BLADE BACK (294 CTR 25 deg)	1
6	BLDB-315-25	BLADE BACK (315 CTR 25 deg)	1
7	DF-BMP	J205 G/BOX BLADE MOUNT	1
8	DISC-315-25	DISC (315 BLADE 25 deg)	1
9	DWM16	DISC SPRING 34x16.3x2.0	2
10	FWM16	M16 FLAT WASHER	2
11	M16	M16 NYLOC NUT	2
12	M16x60BZP	M16x60 BOLT	2
13	12T-BBS	BLADE BACK SPACER	4
14	BB25-16-32	BLADE BUSH	2

ITEM	PART NUMBER	DESCRIPTION	QTY
1	1/2F	1/2" FINE NYLOC NUT	4
2	12x212FBZP	1/2"x2 1/2" FINE BOLT	4
3	BLD-25025-C	BLADE 250xDia 25 (Clk)	2
4	BLD-25025-OVL	OVERLAP FOR BLADE 250xDia 25	2
5	BLDB-294-25	BLADE BACK (294 CTR 25 deg)	1
6	BLDB-315-25	BLADE BACK (315 CTR 25 deg)	1
7	DF-BMP	J205 G/BOX BLADE MOUNT	1
8	DISC-315-25	DISC (315 BLADE 25 deg)	1
9	DWM16	DISC SPRING 34x16.3x2.0	2
10	FWM16	M16 FLAT WASHER	2
11	M16	M16 NYLOC NUT	2
12	M16x60BZP	M16x60 BOLT	2
13	12T-BBS	BLADE BACK SPACER	4
14	BB25-16-32	BLADE BUSH	2

Warranty: This machine is guaranteed for 12 months. No warranty is given where the machine is being used as a hire machine. Warranty is against faulty workmanship or parts, with the exception of components not of MAJOR'S manufacture or design, i.e. hydraulic components, universally jointed shafts, chains and tyres, etc., which are subject to the original manufacturers conditions. To register your machine for warranty, please go to the support section of our website www.major-equipment.com and enter your details.



MAJOR
WWW.MAJOR-EQUIPMENT.COM

The Grass & Slurry Machinery Specialists
Agricultural ~ Professional Groundscare ~ Industrial

Home Products About Us Gallery Dealers News **Support** Contact Us

You are in: English >> Support

Support

Product Registration

Please click here to register your machines. We are committed to providing you with excellent products and product support. Please register your machine to ensure you get the correct warranty cover and service bulletins.

Product Support


Please click here to access operator manuals.

Dealer Support

Please click here for access to our dealer support area.

Support

- Product Registration
- Operator Manuals & Spare Parts Books
- Dealer Support
- Support Contact
- FAQ

 follow us on facebook

Recent News

- ▶ 3100LGP With Raingun
- ▶ New Website Launch!
- ▶ Major Heads For Oz
- ▶ Visit Our Facebook Page
- ▶ 2012 Shows

MAJOR
WWW.MAJOR-EQUIPMENT.COM

Head Office:
Ballyhaunis, Co. Mayo
Ireland
Tel: + 353 (0) 949630572
info@major-equipment.com

UK Office:
Major Ind. Estate, Heysham
Lancs, LA3 3JJ
Tel: + 44 (0) 1524 850501
ukinfo@major-equipment.com

Nederland (& Deutschland):
Postbus 29, NL-7700 AA Dedemsvaart
Nederland
Tel: + 31 (0) 6389 19585
euinfo@major-equipment.com



HEAD OFFICE

Major Equipment Intl Ltd
Ballyhaunis, Co Mayo
Ireland
Tel: +353 (0) 9496 30572

UK OFFICE

Major Equipment Ltd
Major Ind. Estate, Heysham,
Lancs, LA3 3JJ, UK
Tel: +44 (0) 1524 850501

NL & GERMANY OFFICE

Major Equipment Intl Ltd
Postbus 29, NL-7700 AA
Dedemsvaart, Nederland
Tel: + 31 (0) 6389 19585